

OMEGA HIGH STATIC PRESSURE VRF

SUBMITTAL DATA

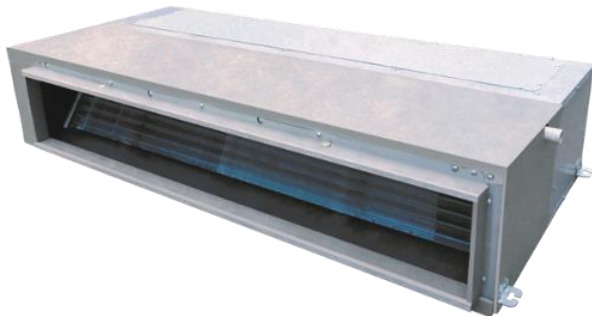
220-240V/1/50Hz & 380-415V/3/50Hz

Job: _____
 Location: _____
 Schedule No.: _____
 System Designation: _____

Engineer: _____
 Architect: _____
 Date: _____
 For: Reference Approval Review Construction

FEATURES

- Full DC Inverter Technologies
- Self Diagnosis Function
- Easy Maintenance
- Auto Restart
- Factory Tested
- High Static Pressure Design



1. Specifications

Model			VEHP024Q3A-GCV071	VEHP027Q3A-GCV080	VEHP031Q3A-GCV090
Power supply			220-240V/1PH/50Hz	220-240V/1PH/50Hz	220-240V/1PH/50Hz
Capacity	Cooling	kW	7.1	8	9
	Heating	kW	7.8	8.8	10.0
Power Input			0.340	0.340	0.340
Fan motor	Model		YDK110-75F-4P3H105L-2 YSK120-150F-4P3H105-2	YDK110-75F-4P3H105L-2 YSK120-150F-4P3H105-2	YDK110-75F-4P3H105L-2 YSK120-150F-4P3H105-2
	Type		AC	AC	AC
	Brand		Kangbao	Kangbao	Kangbao
	Input	W	340	340	340
	Capacitor	μF	4+6	4+6	4+6
	Speed (Hi/Med/Low)	r/min	1420/1370/1330 1400/1320/1280	1420/1370/1330 1400/1320/1280	1420/1370/1330 1400/1320/1280
	ESP	Pa	150	150	150
Indoor coil	Number of rows		3	3	3
	Fin type		Hydrophilic aluminum	Hydrophilic aluminum	Hydrophilic aluminum
	Tube diameter and	mm	Ø7.94, Innergroove tube	Ø7.94, Innergroove tube	Ø7.94, Innergroove tube
Air flow (High speed)	m ³ /h	1500	1500	1500	
Sound power level		dB(A)	40~42	40~42	40~42
Body	Dimension (W×H×D)	mm	1445×260×680	1445×260×680	1445×260×680
	Packing (W×H×D)	mm	1480×320×720	1480×320×720	1480×320×720
	Net/Gross weight	kg	46/50	46/50	46/50
Refrigerant type			R410A	R410A	R410A
Throttle type			EXV	EXV	EXV
Design pressure		MPa	3.8	3.8	3.8
Liquid pipe / Gas pipe		mm	Ø9.53/ Ø15.9	Ø9.53/ Ø15.9	Ø9.53/ Ø15.9
Connecting wire	Power wire	AWG	16	16	16
	Signal wire	AWG	22	22	22
Drainage water pipe (Outer diameter)		mm	Ø25	Ø25	Ø25
Controller	Standard		Wired controller	Wired controller	Wired controller
	Optional		Remote controller	Remote controller	Remote controller
Operation temp		°C	16~32	16~32	16~32

Notes:

- Nominal cooling capacities are based on the following conditions.
 - Outdoor temperature: 35°C DB
 - Return air temperature: 27°C DB, 19°C WB
 - Equivalent piping length: 8m in horizontal
- Nominal heating capacities are based on the following condition.
 - Outdoor temperature: 7°C DB, 6°C WB
 - Return air temperature: 20°C DB
 - Equivalent piping length: 8m in horizontal
- Sound pressure level: Semi-anechoic chamber conversion value, measured at a point 1 m in front of the unit at a height of 1.4 m.
- The above data may be changed without notice for future improvement on quality and performance.

1. Specifications

Model			VEHP035Q3A-GCV100	VEHP040Q3A-GCV120	VEHP048Q3A-GCV140
Power supply			220-240V/1PH/50Hz	220-240V/1PH/50Hz	220-240V/1PH/50Hz
Capacity	Cooling	kW	10	12	15
	Heating	kW	11.0	13.0	17.0
Power Input		kW	0.450	0.45	0.45
Fan motor	Model		YSK139-300F-4P3H95	YSK139-300F-4P3H95	YSK139-300F-4P3H95
	Type		AC	AC	AC
	Brand		Kangbao	Kangbao	Kangbao
	Input	W	450	450	450
	Capacitor	µF	15	15	15
	Speed (Hi/Med/Low)	r/min	1050/830/720	1050/830/720	1050/830/720
	ESP	Pa	150	150	150
Indoor coil	Number of rows		3	3	3
	Fin type		Hydrophilic aluminum	Hydrophilic aluminum	Hydrophilic aluminum
	Tube diameter and type	mm	Ø7.94, Innergroove tube	Ø7.94, Innergroove tube	Ø7.94, Innergroove tube
Air flow (High speed)		m ³ /h	2300	2300	2300
Sound power level		dB(A)	44~52	44~52	44~52
Body	Dimension (W×H×D)	mm	1190×370×620	1190×370×620	1190×370×620
	Packing (W×H×D)	mm	1480×320×720	1480×320×720	1480×320×720
	Net/Gross weight	kg	47/51	47/51	47/51
Refrigerant type			R410A	R410A	R410A
Throttle type			EXV	EXV	EXV
Design pressure		MPa	3.8	3.8	3.8
Liquid pipe / Gas pipe		mm	Ø9.53/ Ø15.9	Ø9.53/ Ø15.9	Ø9.53/ Ø15.9
Connectin g wire	Power wire	AWG	16	16	16
	Signal wire	AWG	22	22	22
Drainage water pipe (Outer diameter)		mm	Ø25	Ø25	Ø25
Controller	Standard		Wired controller	Wired controller	Wired controller
	Optional		Remote controller	Remote controller	Remote controller
Operation temp		°C	16~32	16~32	16~32

Notes:

- Nominal cooling capacities are based on the following conditions.
 - Outdoor temperature: 35°C DB
 - Return air temperature: 27°C DB, 19°C WB
 - Equivalent piping length: 8m in horizontal
- Nominal heating capacities are based on the following condition.
 - Outdoor temperature: 7°C DB, 6°C WB
 - Return air temperature: 20°C DB
 - Equivalent piping length: 8m in horizontal
- Sound pressure level: Semi-anechoic chamber conversion value, measured at a point 1 m in front of the unit at a height of 1.4 m.
- The above data may be changed without notice for future improvement on quality and performance.

1. Specifications

Model			VEHA070Q3A-GCV200	VEHA085Q3A-GCV250	VEHA96Q3A-GCV280
Power supply			220-240V/1PH/50Hz	220-240V/1PH/50Hz	220-240V/1PH/50Hz
Capacity	Cooling	kW	20	25	28
	Heating	kW	22.0	27.5	30.8
Power Input		kW	1.2	1.2	1.2
Fan motor	Model		YDK-300F-4P3 *2	YDK-300F-4P3 *2	YDK-300F-4P3 *2
	Type		AC	AC	AC
	Brand		Yongan	Yongan	Yongan
	Input	W	1200	1200	1200
	Capacitor	μF	15+15	15+15	15+15
	Speed (Hi/Med/Low)	r/min	1050/920/820	1050/920/820	1050/920/820
	ESP	Pa	150	150	150
Indoor coil	Number of rows		4	4	4
	Fin type		Hydrophilic aluminum	Hydrophilic aluminum	Hydrophilic aluminum
	Tube diameter and type	mm	Ø9.52, Innergroove tube	Ø9.52, Innergroove tube	Ø9.52, Innergroove tube
Air flow (High speed)		m ³ /h	4000	4200	4400
Sound power level		dB(A)	45~53	45~54	45~55
Body	Dimension (W×H×D)	mm	1465×448×811	1465×448×811	1465×448×811
	Packing (W×H×D)	mm	1510×490×870	1510×490×870	1510×490×870
	Net/Gross weight	kg	102/106	102/106	102/106
Refrigerant type			R410A	R410A	R410A
Throttle type			EXV	EXV	EXV
Design pressure		MPa	3.8	3.8	3.8
Liquid pipe / Gas pipe		mm	Ø22/Ø12.7	Ø22/Ø12.7	Ø22/Ø12.7
Connecting wire	Power wire	AWG	16	16	16
	Signal wire	AWG	22	22	22
Drainage water pipe (Outer diameter)		mm	Ø30	Ø30	Ø30
Controller	Standard		Wired controller	Wired controller	Wired controller
	Optional		Remote controller	Remote controller	Remote controller
Operation temp		°C	16~32	16~32	16~32

Notes:

- Nominal cooling capacities are based on the following conditions.
 - Outdoor temperature: 35°C DB
 - Return air temperature: 27°C DB, 19°C WB
 - Equivalent piping length: 8m in horizontal
- Nominal heating capacities are based on the following condition.
 - Outdoor temperature: 7°C DB, 6°C WB
 - Return air temperature: 20°C DB
 - Equivalent piping length: 8m in horizontal
- Sound pressure level: Semi-anechoic chamber conversion value, measured at a point 1 m in front of the unit at a height of 1.4 m.
- The above data may be changed without notice for future improvement on quality and performance.

1. Specifications

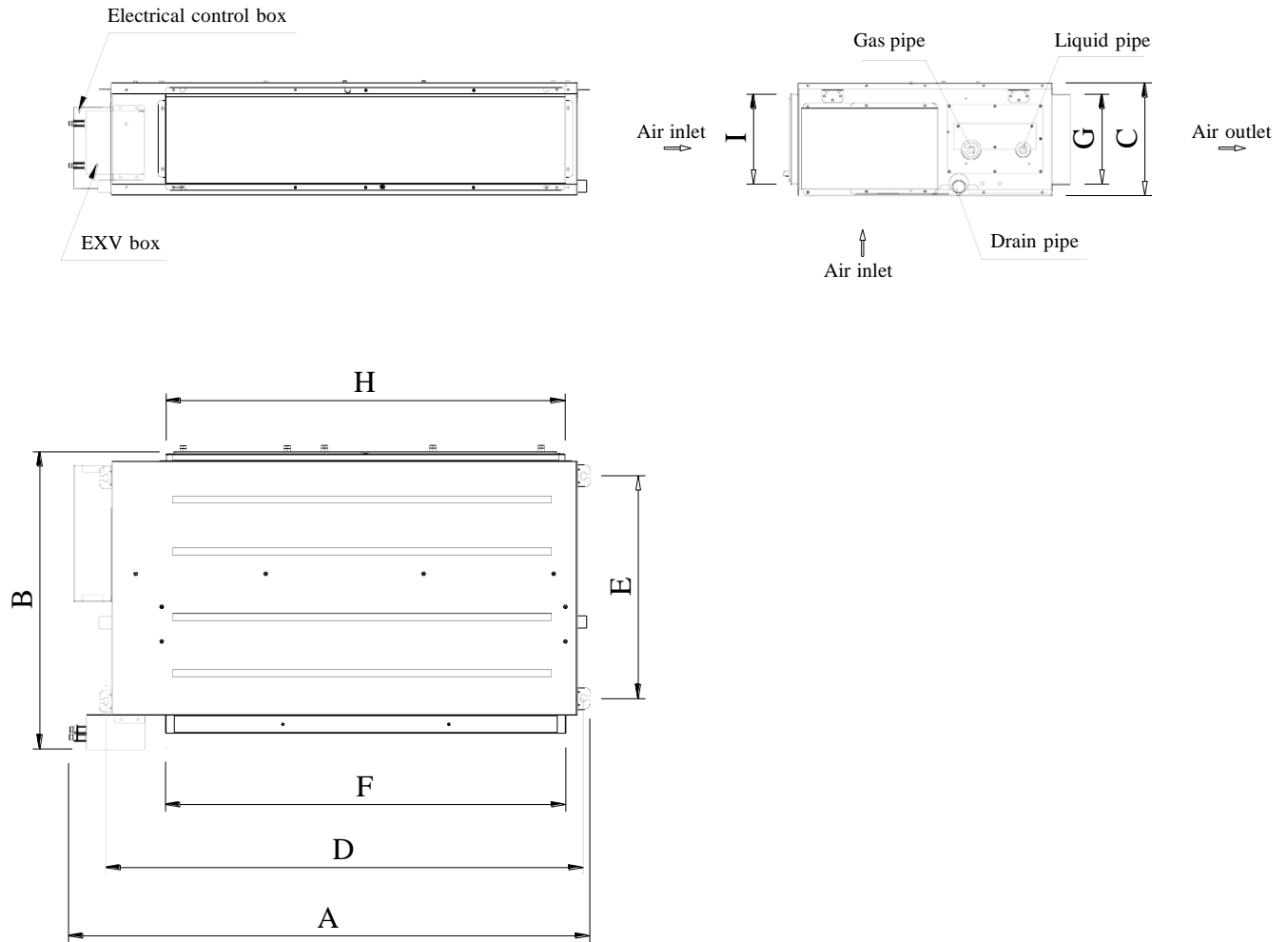
Model			VEHA154Q7A-GCV450	VEHA191Q7A-GCV560
Power supply			380-415V/3PH/50Hz	380-415V/3PH/50Hz
Capacity	Cooling	kW	45	56
	Heating	kW	50	63
Power Input		kW	1.6	2.45
Fan motor	Model		YX3-100L1-4-B3	YX3-100L1-4-B3
	Type		AC	AC
	Brand		Wannan	Wannan
	Input	W	2200	2200
	Capacitor	μF	/	/
	Speed (Hi/Med/Low)	r/min	1430	1430
	ESP	Pa	200	200
Indoor coil	Number of rows		3	3
	Fin type		Hydrophilic aluminum	Hydrophilic aluminum
	Tube diameter and type	mm	Ø7.94, Inner grooved tube	Ø7.94, Inner grooved tube
Air flow (High speed)		m ³ /h	6000	8000
Sound power level		dB(A)	60	64
Body	Dimension (W×H×D)	mm	2165×916×676	2165×916×676
	Packing (W×H×D)	mm	2267×1050×840	2267×1050×840
	Net/Gross weight	kg	222/260	222/260
Refrigerant type			R410A	R410A
Throttle type			EXV	EXV
Design pressure		MPa	4.5	4.5
Liquid pipe / Gas pipe		mm	Ø15.88/Ø28.6	Ø15.88/Ø28.6
Connecting wire	Power wire	AWG	16	16
	Signal wire	AWG	22	22
Drainage water pipe (Outer diameter)		mm	Ø25	Ø25
Controller	Standard		Wired controller	Wired controller
	Optional		Remote controller	Remote controller
Operation temp		°C	16~32	16~32

Notes:

- 5) Nominal cooling capacities are based on the following conditions.
 - Outdoor temperature: 35°C DB
 - Return air temperature: 27°C DB, 19°C WB
 - Equivalent piping length: 8m in horizontal
- 6) Nominal heating capacities are based on the following condition.
 - Outdoor temperature: 7°C DB, 6°C WB
 - Return air temperature: 20°C DB
 - Equivalent piping length: 8m in horizontal
- 7) Sound pressure level: Semi-anechoic chamber conversion value, measured at a point 1 m in front of the unit at a height of 1.4 m.
- 8) The above data may be changed without notice for future improvement on quality and performance.

2-DIMENSIONAL DRAWINGS - (MM)

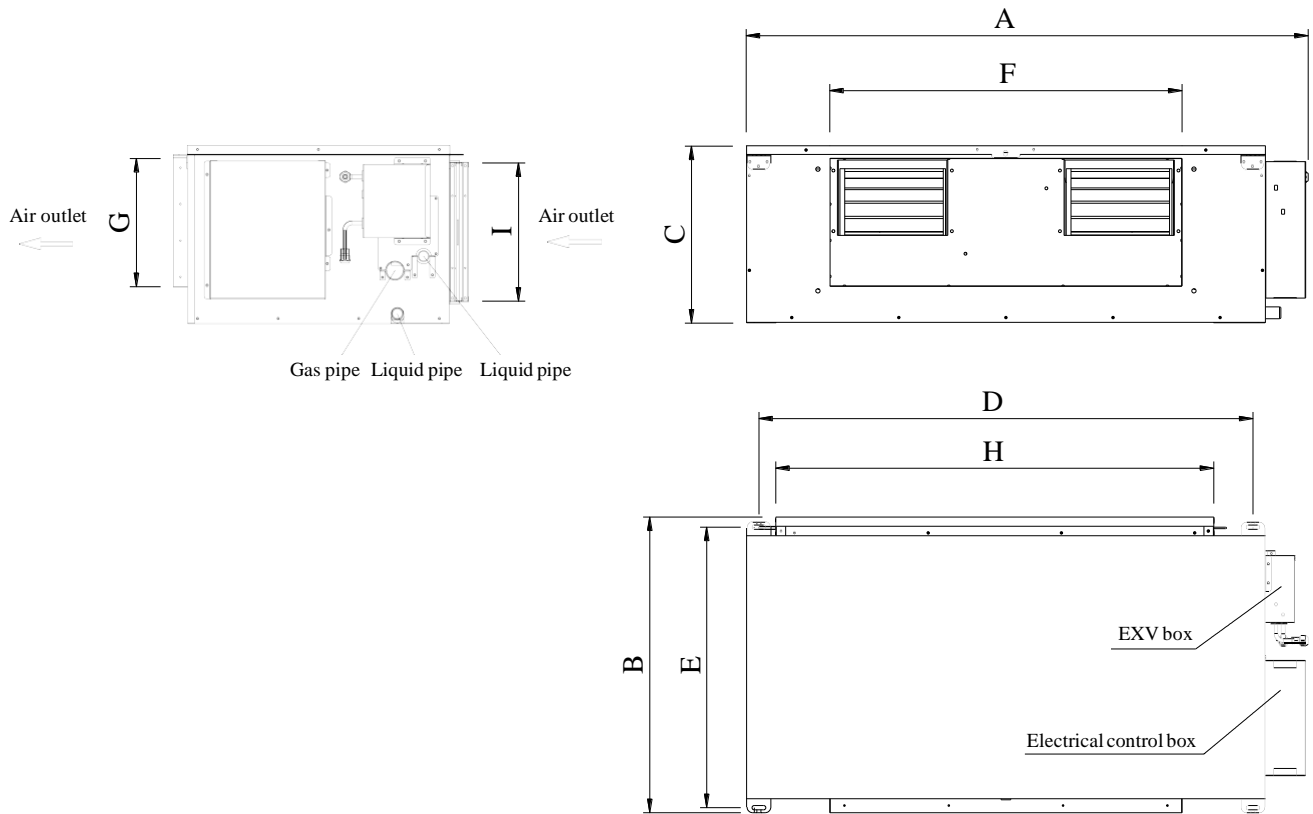
- VEHP024Q3A-GCV071, VEHP027Q3A-GCV080, VEHP031Q3A-GCV090



Mode	Body dimension(mm)			Installation dimension (mm)		Air outlet dimension (mm)		Air return dimension (mm)	
	A	B	C	D	E	F	G	H	I
VEHP024Q3A-GCV071	1445	680	260	1101	515	920	197	920	207
VEHP027Q3A-GCV080	1445	680	260	1101	515	920	197	920	207
VEHP031Q3A-GCV090	1445	680	260	1101	515	920	197	920	207

2-DIMENSIONAL DRAWINGS - (MM)

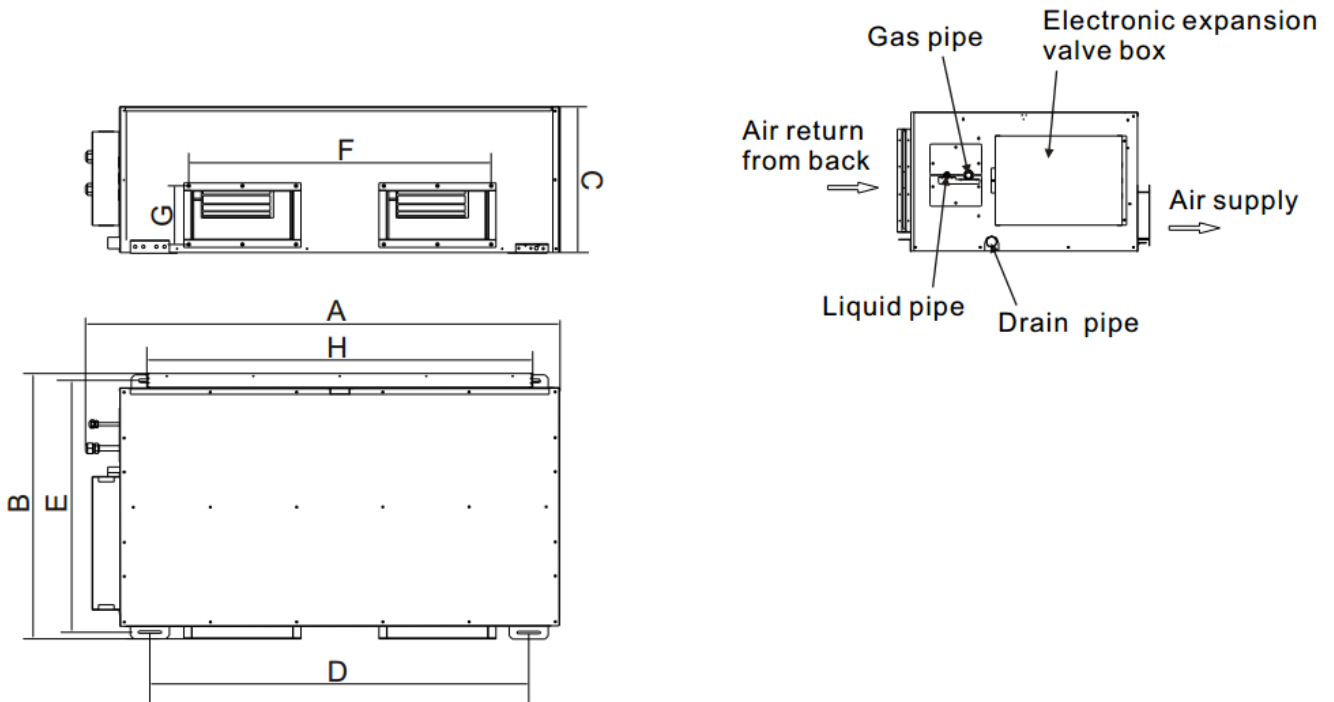
- VEHP035Q3A-GCV100, VEHP040Q3A-GCV120, VEHP048Q3A-GCV140



Mode	Body dimension(mm)			Installation dimension (mm)		Air outlet dimension (mm)		Air return dimension (mm)	
	A	B	C	D	E	F	G	H	I
VEHP035Q3A-GCV100	1190	620	370	1038	588	740	267	920	290
VEHP040Q3A-GCV120	1190	620	370	1038	588	740	267	920	290
VEHP048Q3A-GCV140	1190	620	370	1038	588	740	267	920	290

2-DIMENSIONAL DRAWINGS - (MM)

- VEHA070Q3A-GCV200, VEHA085Q3A-GCV250, VEHA096Q3A-GCV280



Mode	Body dimension(mm)			Installation dimension (mm)		Air outlet dimension (mm)		Air return dimension (mm)	
	A	B	C	D	E	F	G	H	I
VEHA070Q3A-GCV200	1465	811	448	1162	771	930	180	1174	272
VEHA085Q3A-GCV250	1465	811	448	1162	771	930	180	1174	272
VEHA096Q3A-GCV280	1465	811	448	1162	771	930	180	1174	272

2-DIMENSIONAL DRAWINGS - (MM)

- VEHA154Q7A-GCV450, VEHA191Q7A-GCV560

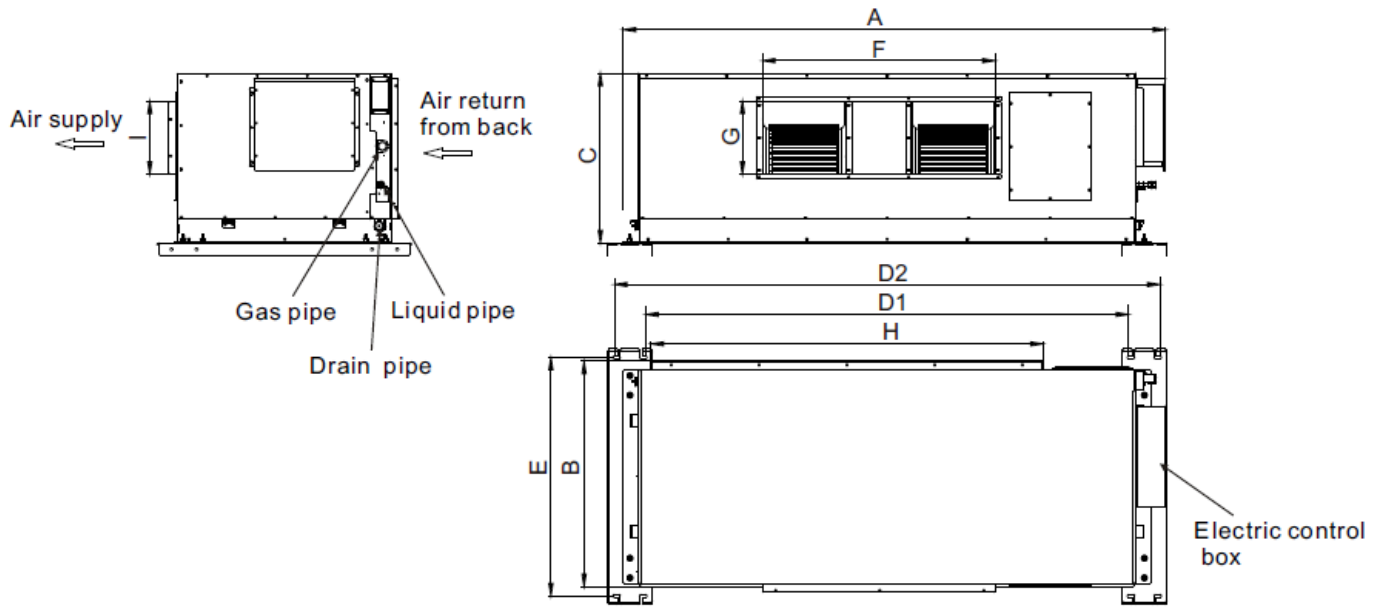


Table 3.7 Unit: mm

Mode	Body dimension(mm)			Installation dimension (mm)			Air outlet dimension (mm)		Air return dimension (mm)	
	A	B	C	D1	D2	E	F	G	H	I
VEHA154Q7A-GCV450	2165	916	676	1926	2176	950	928	292	1563	563
VEHA191Q7A-GCV560	2165	916	676	1926	2176	950	928	292	1563	563

Electrical Characteristics

Model	Indoor unit				MFC	Power cable			Signal cable
	Hz	Voltage	Minimum	Maximum		L ≤ 20m	L ≤ 50m	Grounded	
VEHP024Q3A-GCV071	50Hz	220-240V	198	264	15	2*2.5mm ²	2*4.0mm ²	2.5mm ²	2*0.75 mm ²
VEHP027Q3A-GCV080	50Hz	220-240V	198	264	15	2*2.5mm ²	2*4.0mm ²	2.5mm ²	2*0.75 mm ²
VEHP031Q3A-GCV090	50Hz	220-240V	198	264	15	2*2.5mm ²	2*4.0mm ²	2.5mm ²	2*0.75 mm ²
VEHP035Q3A-GCV100	50Hz	220-240V	198	264	15	2*2.5mm ²	2*4.0mm ²	2.5mm ²	2*0.75 mm ²
VEHP040Q3A-GCV120	50Hz	220-240V	198	264	15	2*2.5mm ²	2*4.0mm ²	2.5mm ²	2*0.75 mm ²
VEHP048Q3A-GCV140	50Hz	220-240V	198	264	15	2*2.5mm ²	2*4.0mm ²	2.5mm ²	2*0.75 mm ²
VEHA070Q2A-GCV200	60Hz	220-240V	198	264	15	2*2.5mm ²	2*4.0mm ²	4.0mm ²	2*0.75 mm ²
VEHA085Q2A-GCV250	60Hz	220-240V	198	264	15	2*2.5mm ²	2*4.0mm ²	4.0mm ²	2*0.75 mm ²
VEHA096Q2A-GCV280	60Hz	220-240V	198	264	15	2*2.5mm ²	2*4.0mm ²	4.0mm ²	2*0.75 mm ²
VEHA154Q7A-GCV450	50Hz	380-415V	342	437	15	4*2.5mm ²	4*4.0mm ²	2.5mm ²	2*0.75 mm ²
VEHA191Q7A-GCV560	50Hz	380-415V	342	437	15	4*2.5mm ²	4*4.0mm ²	2.5mm ²	2*0.75 mm ²

Notes:

- 1) *Minimum: Permitted minimum operating voltage, lower than this value may damage the system*
- 2) *Maximum: Permitted maximum operating voltage, higher than this value may damage the system*
- 3) *MC: Minimum Current (A)*
- 4) *MFC: Maximum Fuse Current (A)*
- 5) *Output: Fan motor rated power Output (W)*
- 6) *FLC: Full Load Current (A)*