

OMEGA PTSA Series Packaged Terminal Air Conditioner

SUBMITTAL DATA

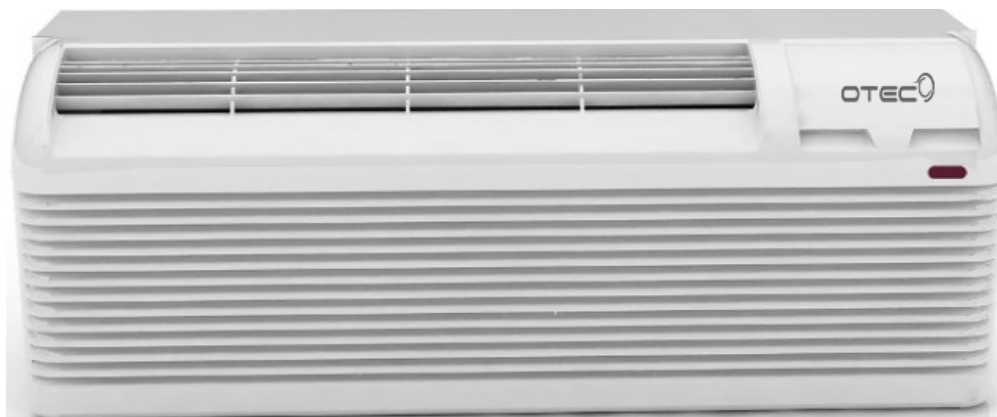
208-230V/1/60Hz

Job: _____
 Location: _____
 Schedule No.: _____
 System Designation: _____

Engineer: _____
 Architect: _____
 Date: _____
 For: Reference Approval Review Construction

FEATURES

- Optimized Energy Efficiency
- Easy Cleaning and Maintenance
- Quiet Operation
- R410A Refrigerant
- Silent Design
- LCDI Power Cord
- Durability
- ETL Listed



1. Specifications

PTSA Series

Cooling Only - ON/OFF Packaged Terminal Unit (PTAC)

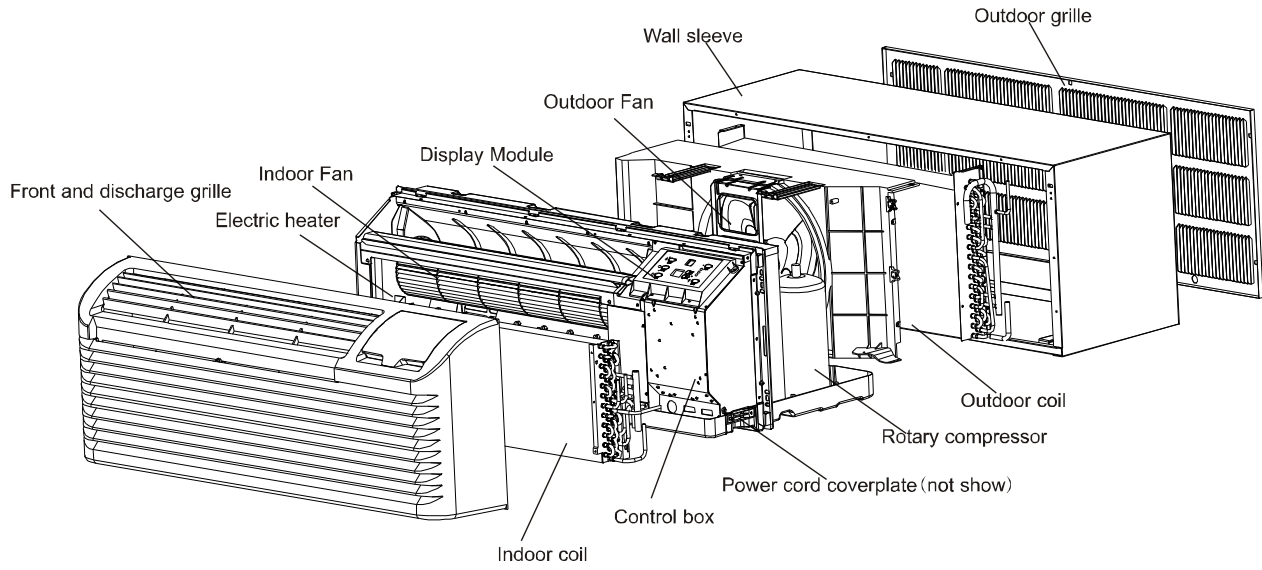
Packaged Terminal Air Conditioner - Cooling Only						
MODEL	PTSA		007C2A -GND026	009C2A -GND028	012C2A -GND035	015C2A -GND042
Cooling	Capacity	BTU/h	7,200 / 7,400	9,300 / 9,500	12,000 / 12,200	14,500 / 14,700
	Input	W	605 / 620	815 / 835	1120 / 1140	1450 / 1470
Efficiency	EER	BTU/h	11.9	11.4	10.7	10.0
Compressor	Type	W	Rotary			
	Rated Current	Amps	2.30	3.25	4.9	6.35
	Capacitor	uF	20	20	40	40
Controller			Button Control / Remote Control / 24V Wired Control			
Electrical	Voltage		208 / 230V - 1Ph @ 60Hz			
	Range (min-max)		min 187 - max 253			
	Max. Input Consumption (W)		775	1080	1460	1760
	Maximum Current		3.4	4.8	7.3	7.8
	Min. Circuit Amps (MCA) Max		16.5	16.5	16.5	26.4
	Fuse Amps (MOCP) Type		20	20	20	30
Indoor Fan			Cross-Flow			
	Air Flow - CFM (m ³ /h)	High	424 (720)	412 (700)	471 (800)	471 (800)
		Low	365 (620)	365 (620)	412 (700)	412 (700)
Noise Level (dbA)		48	48	52	51	
Indoor Fan Motor			Single-Axis Fan Motor			
	Input	W	55	55	64	64
	Rated Current	Amps	0.25	0.25	0.29	0.29
	Capacitor	uF	1.5	1.5	1.5	1.5
	(Hi/Lo)	RPM	900 / 650	900 / 650	1050 / 850	1050 / 950
Outdoor Fan			Axial-Flow			
	Air Flow (CFM / m ³ /h)		705 (1200)	705 (1200)	705 (1200)	705 (1200)
	Noise Level (dbA)		66	66	66	66
Outdoor Fan Motor			Single-Axis Iron Motor			
	Input	W	104	104	104	104
	Rated Current	Amps	0.46			
	Capacitor	uF	3			
	Speed (Hi/Lo)	RPM	1600			
Refrigerant Charge R410a (oz. / kgs.)			19 / 0.56	19.4 / 0.55	26.5 / 0.75	34.2 / 0.97
Connection Wiring	Power Wiring	(mm) ²	3.3081 (LCDI-20A)			5.2615 (LCDI-50A)
	Signal Wiring	(mm) ²	0.3243			
Dimensions Inches (mm)	Width		42 (1066)	42 (1066)	42 (1066)	42 (1066)
	Depth		21 (535)	21 (535)	21 (535)	21 (535)
	Height		16 (408)	16 (408)	16 (408)	16 (408)
Net Weight	Lbs (kgs)		95.7 (43.5)	95.7 (43.5)	101.2 (46)	106.7 (48.5)



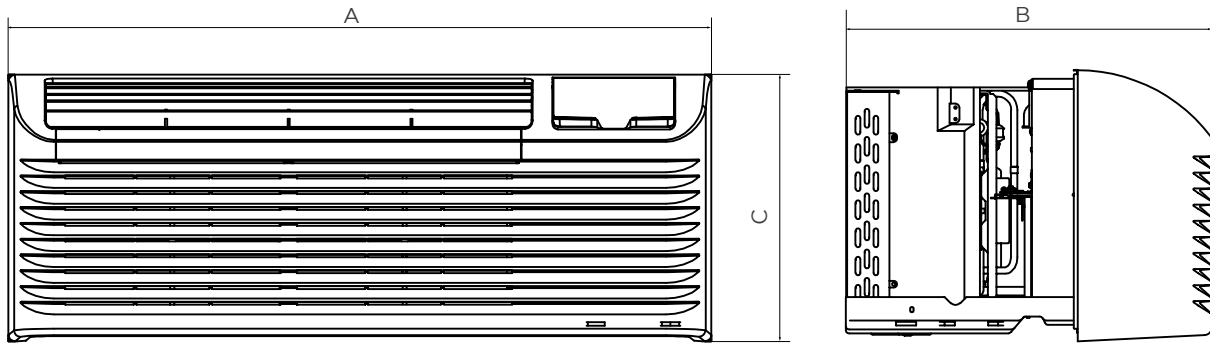
2. Dimensional Drawing

PTSA Series

Cooling Only - ON/OFF Packaged Terminal Unit (PTAC)



DIMENSIONAL DATA



Unit Dimensions (in)					
<i>Width x Depth x Height</i>					
<i>With Wall Sleeve</i>			<i>Packed Unit</i>		
42	21	16	45	25	19

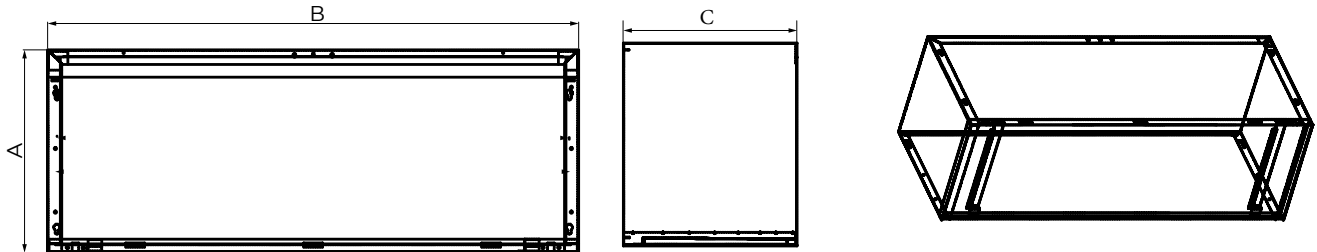


2. Dimensional Drawing

PTSA Series

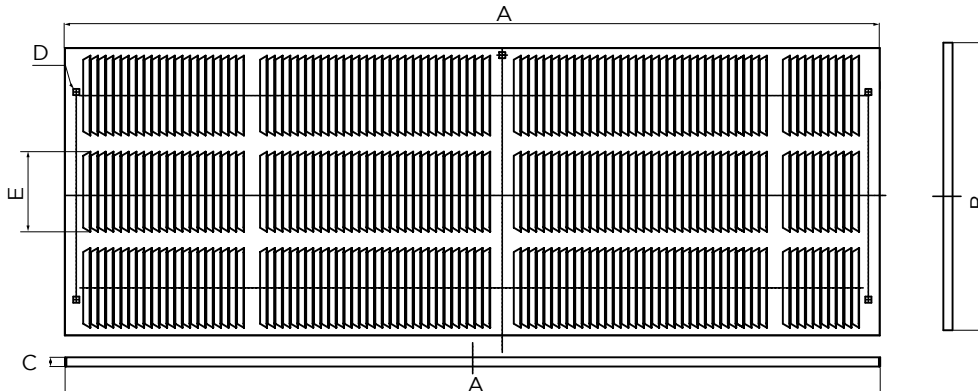
Cooling Only - ON/OFF Packaged Terminal Unit (PTAC)

WALL SLEEVE DIMENSIONAL DATA



Unit Dimensions (in)		
A	B	C
16	42	14

GRILLES DIMENSIONAL DRAWINGS



Unit Dimensions (in)				
A	B	C	D	E
42	14	1/2	5/16	4