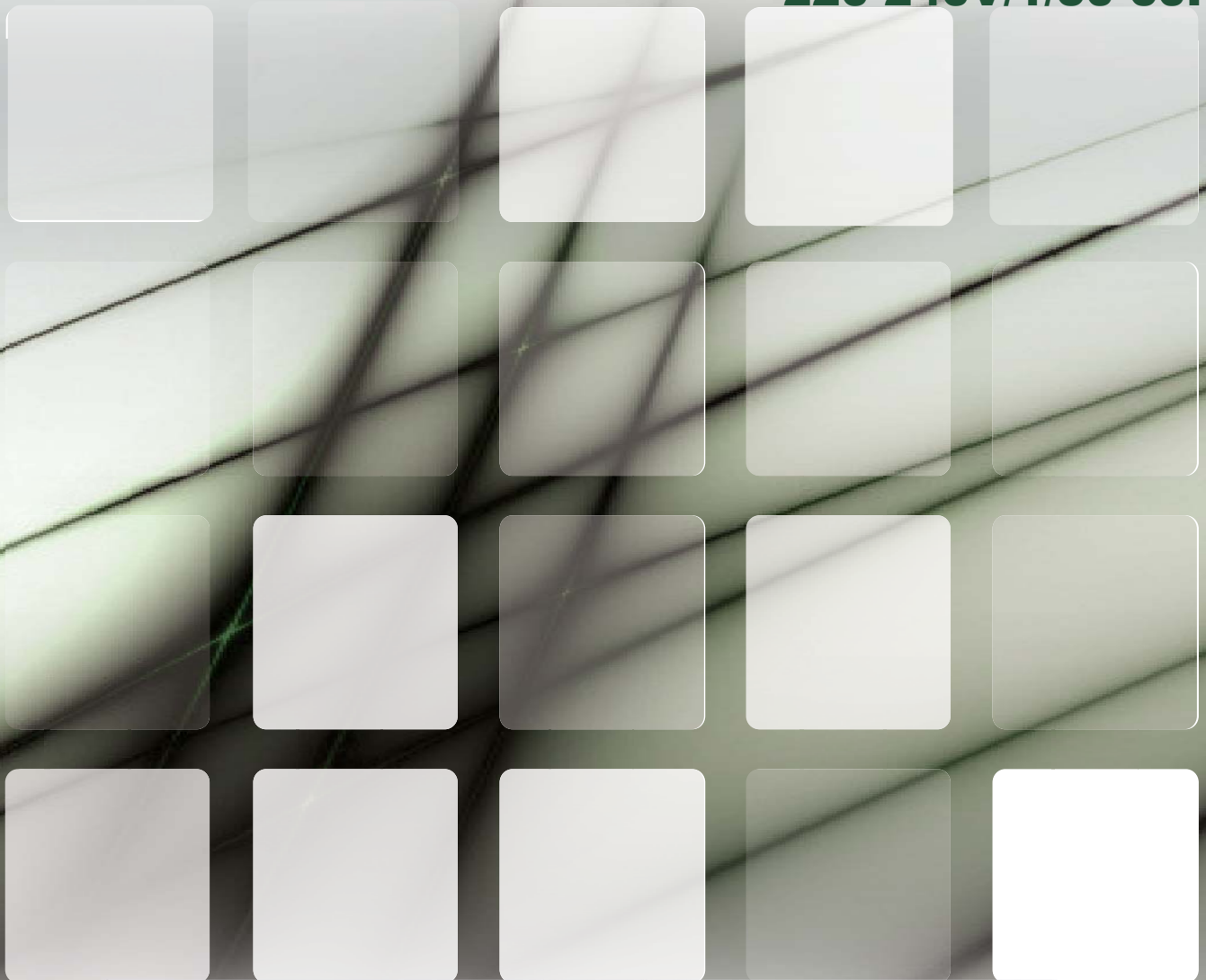


VEWP Series Wall Mounted Indoor unit

Technical Manual

220-240V/1/50-60Hz



CONTENTS

1. Specifications.....	
2. Dimensions.....	
3. Service space.....	
4. Piping diagram.....	
5. Wiring diagram.....	
6. Capacity tables.....	
7. Electric characteristics.....	
8. Sound pressure levels.....	
9. Accessories.....	
10. Exploded view.....	
11. Fault code table.....	

1. Specifications

Model			VEWP008Q0A-GWV022	VEWP010Q0A-GWV028	VEWP012Q0A-GWV036
Code			821044100020	821044100021	821044100022
Power supply			220-240V/1N/50-60Hz	220-240V/1N/50-60Hz	220-240V/1N/50-60Hz
Capacity	Cooling	kW	2.2	2.8	3.6
	Heating	kW	2.5	3.2	4.0
Power Input		W	15	15	18
Fan motor	Model		DR-310-13-8	DR-310-13-8	DR-310-13-8
	Type		DC	DC	DC
	Brand		Weiling	Weiling	Weiling
	Speed (Tur/Hi/Med/Low)	r/min	1000/900/870/850	1000/900/870/850	1100/1000/950/900
Indoor coil	Number of rows		2	2	2
	Fin type		Hydrophilic Aluminum	Hydrophilic Aluminum	Hydrophilic Aluminum
	Tube diameter and type	mm	Ø7, Innergroove tube	Ø7, Innergroove tube	Ø7, Innergroove tube
Air flow		m ³ /h	440/380/360/350	440/380/360/350	500/440/415/380
Sound pressure level		dB(A)	24~33	24~33	27~36
Body	Dimension (W×H×D)	mm	864x300x200	864x300x200	864x300x200
	Packing (W×H×D)	mm	945x375x290	945x375x290	945x375x290
	Net/Gross weight	kg	9.5/12	9.5/12	9.5/12
Refrigerant type			R410A	R410A	R410A
Throttle type			EXV	EXV	EXV
Liquid pipe / Gas pipe		mm	Ø6.35/ Ø9.52	Ø6.35/ Ø9.52	Ø6.35/ Ø12.7
Connecting wire	Power wire	mm ²	1.5*2+2.5(L≤20m)	1.5*2+2.5(L≤20m)	1.5*2+2.5(L≤20m)
			2.5*2+2.5(20m<L≤50m)	2.5*2+2.5(20m<L≤50m)	2.5*2+2.5(20m<L≤50m)
	Signal wire	mm ²	0.75*2 shield	0.75*2 shield	0.75*2 shield
Drainage water pipe (Outer diameter)		mm	Ø20	Ø20	Ø20
Controller	Standard		Remote controller	Remote controller	Remote controller
	Optional		3-core wired controller	3-core wired controller	3-core wired controller
Operation temperature		°C	16~32	16~32	16~32

Notes:

- 1) Nominal cooling capacities are based on the following conditions.
 - Outdoor temperature: 35°C DB
 - Return air temperature: 27°C DB, 19°C WB
 - Equivalent piping length: 8m in horizontal
- 2) Nominal heating capacities are based on the following condition.
 - Outdoor temperature: 7°C DB, 6°C WB
 - Return air temperature: 20°C DB
 - Equivalent piping length: 8m in horizontal
- 3) Sound pressure level: Semi-anechoic chamber conversion value, measured at a point 1 m in front of the unit at a height of 1.5 m.
- 4) The above data may be changed without notice for future improvement on quality and performance.

Model			VEWP015Q0A-GWV045	VEWP019Q0A-GWV056	VEWP024Q0A-GWV071
Code			821044100023	821044100024	821044100025
Power supply			220-240V/1N/50-60Hz	220-240V/1N/50-60Hz	220-240V/1N/50-60Hz
Capacity	Cooling	kW	4.5	5.6	7.1
	Heating	kW	5.0	6.3	8.0
Power Input		W	20	23	35
Fan motor	Model		DR-310-30G-8	DR-310-30G-8	DR-310-30G-8
	Type		DC	DC	DC
	Brand		Weiling	Weiling	Weiling
	Speed (Tur/Hi/Med/Low)	r/min	1050/950/900/850	1100/1000/950/900	1300/1200/1100/1000
Indoor coil	Number of rows		2	2	2
	Fin type		Hydrophilic Aluminum	Hydrophilic Aluminum	Hydrophilic Aluminum
	Tube diameter and type	mm	Ø7, Innergroove tube	Ø7, Innergroove tube	Ø7, Innergroove tube
Air flow		m ³ /h	655/610/565/525	720/645/580/560	890/805/720/645
Sound pressure level		dB(A)	29~38	32~42	35~43
Body	Dimension(W×H×D)	mm	972x320x215	972x320x215	972x320x215
	Packing (W×H×D)	mm	1060x400x310	1060x400x310	1060x400x310
	Net/Gross weight	kg	11.5/14	11.5/14	11.5/14
Refrigerant type			R410A	R410A	R410A
Throttle type			EXV	EXV	EXV
Liquid pipe / Gas pipe		mm	Ø6.35/ Ø12.7	Ø6.35/ Ø12.7	Ø9.52/ Ø15.88
Connectin g wire	Power wire	mm ²	1.5*2+2.5(L≤20m)	1.5*2+2.5(L≤20m)	1.5*2+2.5(L≤20m)
			2.5*2+2.5(20m<L≤50m)	2.5*2+2.5(20m<L≤50m)	2.5*2+2.5(20m<L≤50m)
	Signal wire	mm ²	0.75*2 shield	0.75*2 shield	0.75*2 shield
Drainage water pipe (Outer diameter)		mm	Ø20	Ø20	Ø20
Controller	Standard		Remote controller	Remote controller	Remote controller
	Optional		3-core wired controller	3-core wired controller	3-core wired controller
Operation temperature		°C	16~32	16~32	16~32

Notes:

1) Nominal cooling capacities are based on the following conditions.

- Outdoor temperature: 35°C DB
- Return air temperature: 27°C DB, 19°C WB
- Equivalent piping length: 8m in horizontal

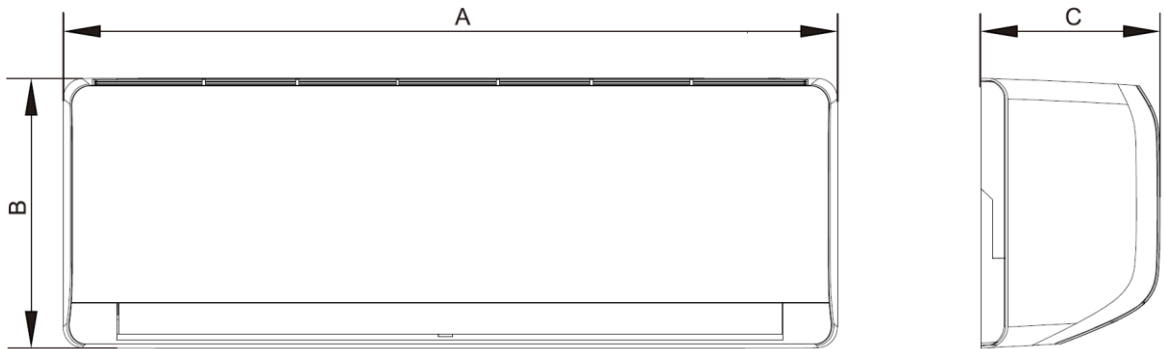
2) Nominal heating capacities are based on the following condition.

- Outdoor temperature: 7°C DB, 6°C WB
- Return air temperature: 20°C DB
- Equivalent piping length: 8m in horizontal

3) Sound pressure level: Semi-anechoic chamber conversion value, measured at a point 1 m in front of the unit at a height of 1.5 m.

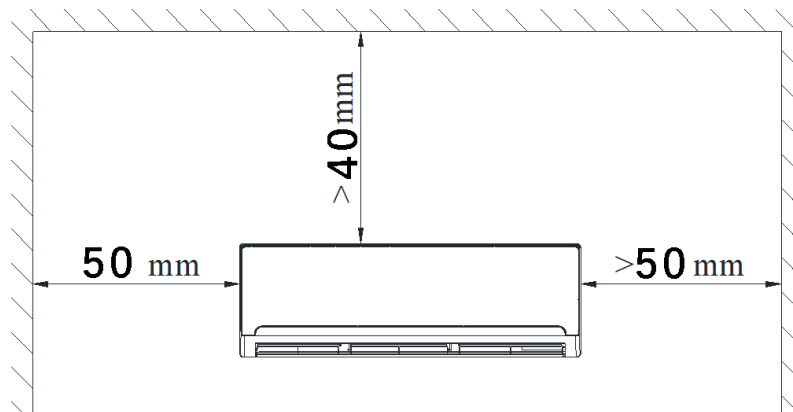
4) The above data may be changed without notice for future improvement on quality and performance.

4. Dimensions



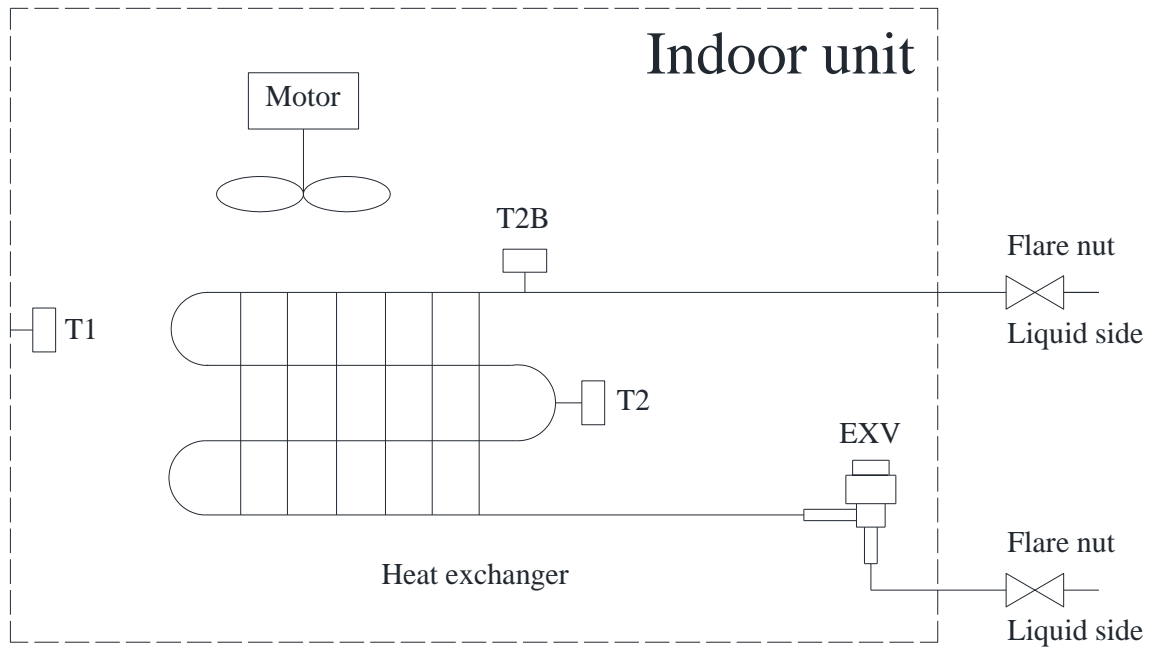
Model	Body dimension (mm)		
	A	B	C
VEWP008Q0A-GWV022	864	300	200
VEWP010Q0A-GWV028	864	300	200
VEWP012Q0A-GWV036	864	300	200
VEWP015Q0A-GWV045	972	320	215
VEWP019Q0A-GWV056	972	320	215
VEWP024Q0A-GWV071	972	320	215

5. Service space



- There is enough room for installation and maintenance.
- The ceiling is horizontal, and its structure can endure the weight of the indoor unit.
- The outlet and the inlet are not impeded, and the influence of external air is the least.
- The air flow can reach throughout the room.
- The connecting pipe and drainpipe could be extracted out easily.
- There is no direct radiation from heaters.

6. Piping diagram



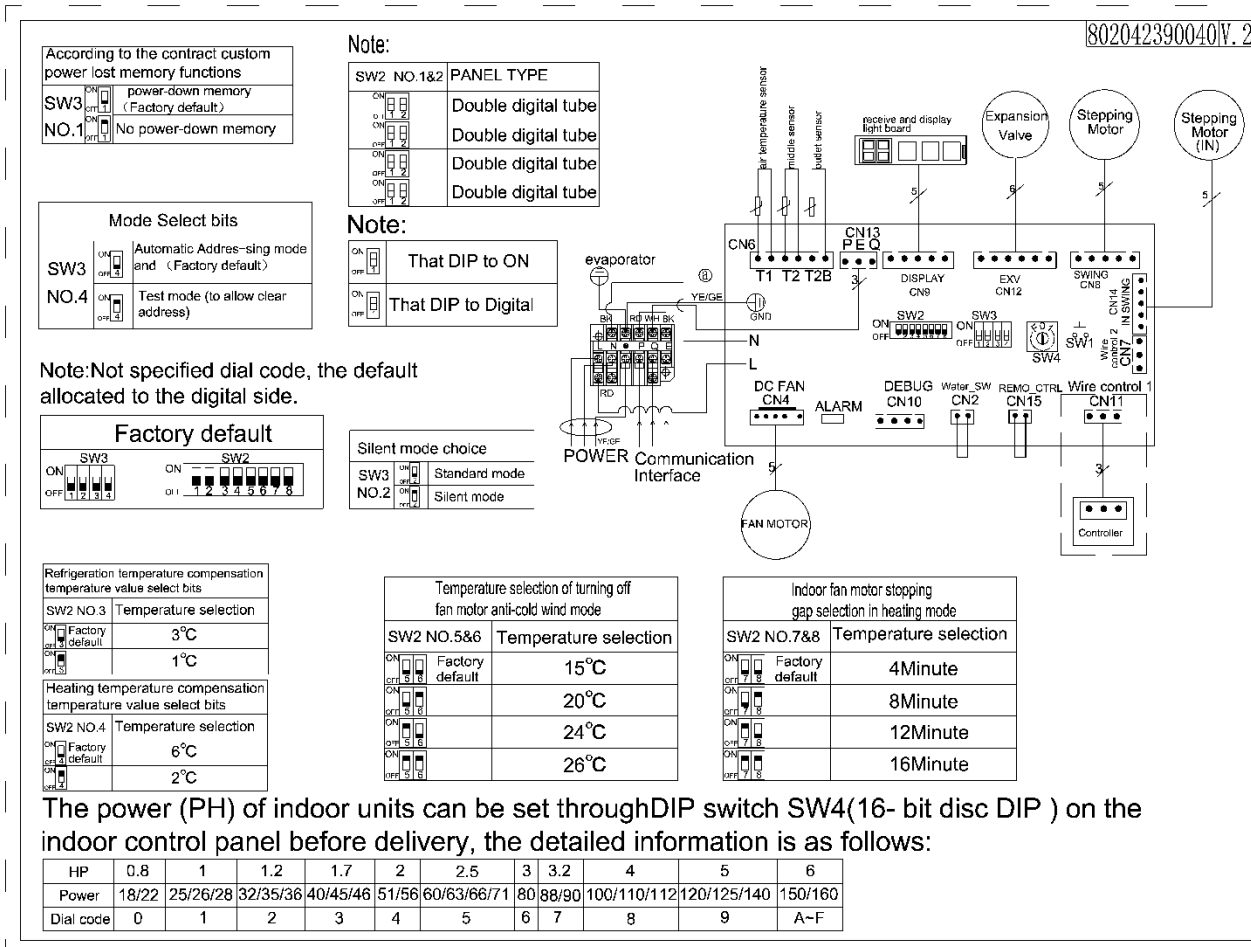
Notes:

- 1) T1: Room temperature sensor
- 2) T2: Temperature sensor of middle heat exchanger
- 3) T2B: Temperature sensor of heat exchanger outlet
- 4) EXV: Electrical expansion valve

7. Wiring diagram

7.1 Wiring diagram

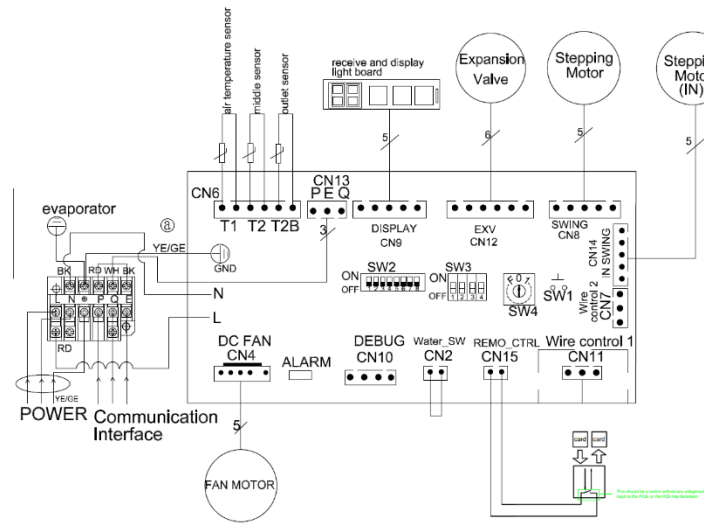
- VEWP008Q0A-GWV022, VEWP010Q0A-GWV028, VEWP012Q0A-GWV036, VEWP015Q0A-GWV045, VEWP019Q0A-GWV056, VEWP024Q0A-GWV071



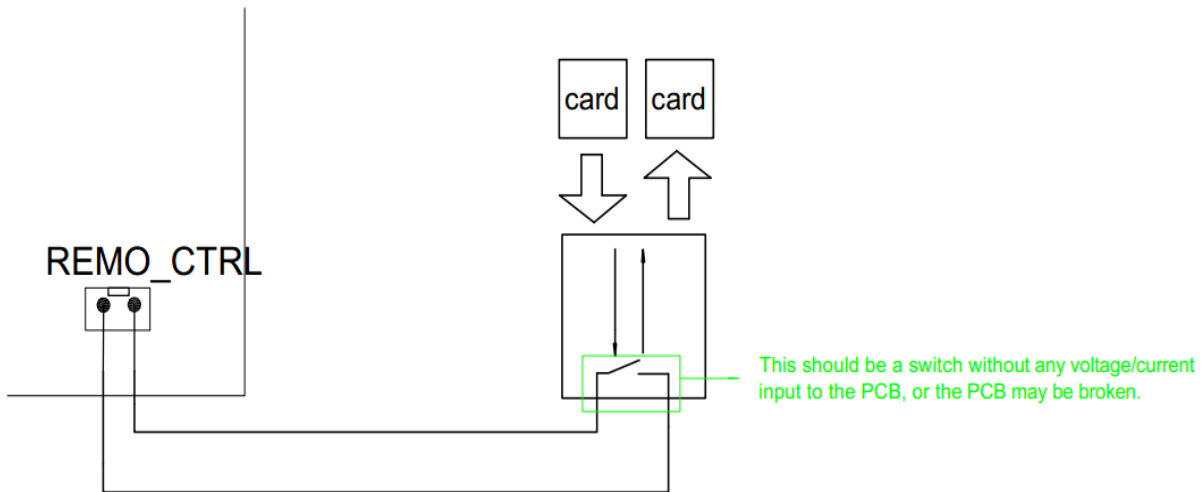
Notes:

- Color code:
 - RD: Red
 - OR: Orange
 - BK: Black
 - BR: Brown
 - WH: White
- T1: Room temperature sensor
- T2: Temperature sensor of middle heat exchanger
- T2B: Temperature sensor of heat exchanger outlet
- EXV: Electrical expansion valve

VRF indoor unit connect with card key



Connect the remote control terminal on the indoor PCB to the hotel card module.



NOTE: The terminal in the hotel card module must be a switch without any voltage/current input to the PCB, otherwise the PCB will be broken.

7.2 Dial switches

7.2.1 SW4: Capacity switch.

Different number in the switch indicates different capacity. It is set in factory; leave it as default setting,



HP	0.8	1	1.2	1.7	2	2.5
Capacity (kW)	1.8/2.2	2.5/2.6/2.8	3.2/3.5/3.6	4.0/4.5/4.6	5.1/5.6	6.0/6.3/6.6/7.1
Code	0	1	2	3	4	5

HP	3	3.2	4	5	6
Capacity (kW)	8.0	8.8/9.0	10.0/11.0/11.2	12.0/12.5/14.0	15.0/16.0
Code	6	7	8	9	A~F

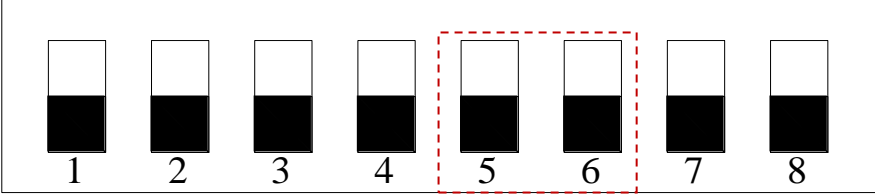
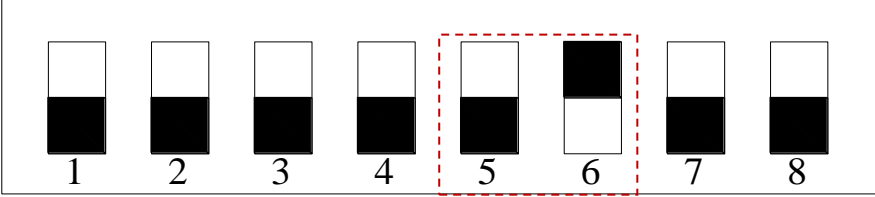
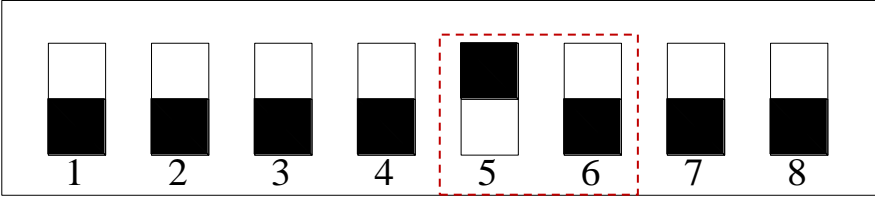
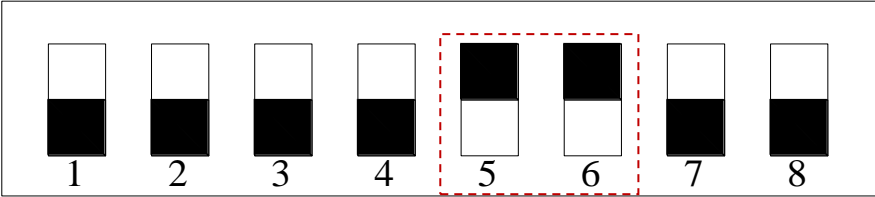
7.2.2 SW3 (Switch number 3 is reserved)

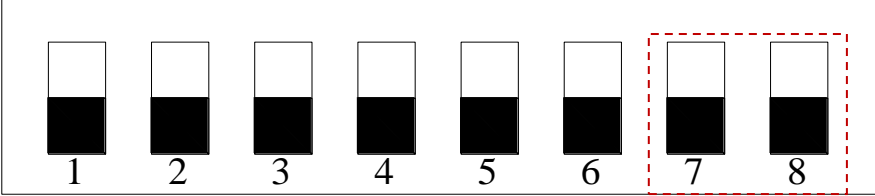
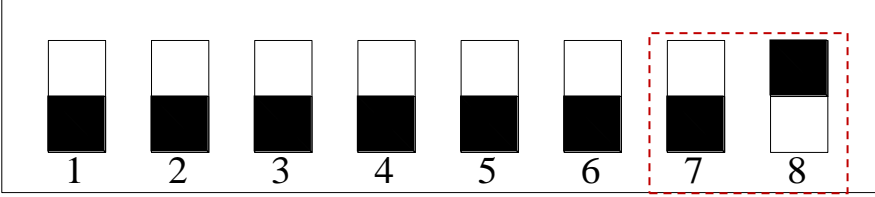
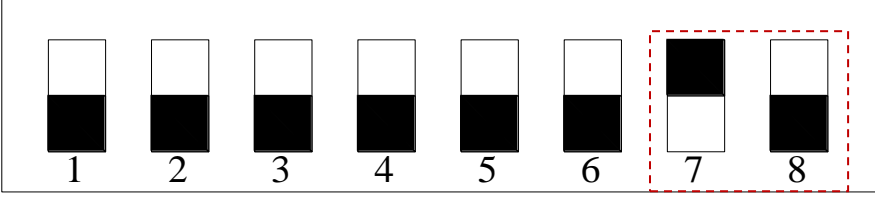
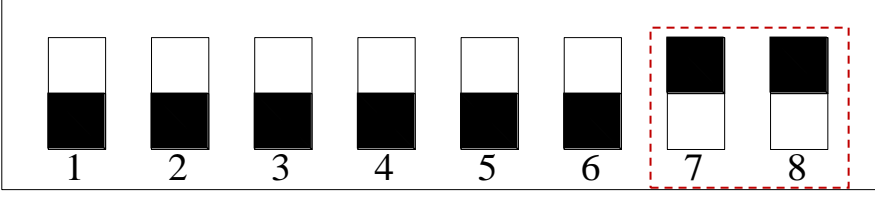
Name	Switch number 1 of SW3	Switch number 4 of SW3	Switch number 2 of SW3
Function	Power-off memory function	Indoor unit address limitation	Silent mode choice
Setting	<p>Dial up to disable Power-off memory function</p>	<p>Dial up to erase indoor unit's address.</p>	<p>Silent mode</p>
	<p>Dial down to enable Power-off memory function</p>	<p>Automatic Addressing mode (Default setting)</p>	<p>Standard mode</p>

7.2.3 SW2, only available in heating mode.

Name	Switch number 1,2 of SW2	
Function	Panel type	
Setting	<p>ON</p> <p>OFF</p>	Double digital tube

Name	Switch number 3,4 of SW2	
Function	<ul style="list-style-type: none"> ● Refrigeration (NO.3) and Heating(NO.4) temperature compensation value selection. When temperature difference between setting temperature and room temperature is higher than the setting value, indoor fan motor turns off. ● DO NOT change the default setting without professional guidance. 	
Setting	<p>ON</p> <p>OFF</p>	3 °C Default setting
	<p>ON</p> <p>OFF</p>	1 °C
	<p>ON</p> <p>OFF</p>	6 °C
	<p>ON</p> <p>OFF</p>	2 °C

Name	Switch number 5,6 of SW2	
Function	<ul style="list-style-type: none"> ● Temperature selection of turning off fan motor in anti-cold-wind-blow mode. When indoor heat exchanger temperature is lower than the setting value, indoor fan motor turns off. ● DO NOT change the default setting without professional guidance. 	
Setting	<p>ON</p>  <p>OFF</p> <p>1 2 3 4 5 6 7 8</p>	15 °C Default setting
	<p>ON</p>  <p>OFF</p> <p>1 2 3 4 5 6 7 8</p>	20 °C
	<p>ON</p>  <p>OFF</p> <p>1 2 3 4 5 6 7 8</p>	24 °C
	<p>ON</p>  <p>OFF</p> <p>1 2 3 4 5 6 7 8</p>	26 °C

Name	Switch number 7,8 of SW2	
Function	<ul style="list-style-type: none"> ● Indoor fan motor stopping gap selection in heating mode. ● When room temperature gets to (set point + temperature value in Switch number 3,4 of SW2), at this moment indoor unit capacity requirement is 0, indoor fan motor turns off for 4minutes (this stopping duration time can be changed by below setting).After that indoor fan will run in low speed for 1 minute (this timing is fixed), if indoor unit capacity requirement is still 0, then indoor fan motor keeps off for 4 minutes, and then cycles. ● DO NOT change the default setting without professional guidance. 	
Setting	<p>ON</p>  <p>OFF</p>	4 minutes Default setting
	<p>ON</p>  <p>OFF</p>	8 minutes
	<p>ON</p>  <p>OFF</p>	12 minutes
	<p>ON</p>  <p>OFF</p>	16 minutes

SW8, reserved, leave it as default setting (both switches dial down).

8. Capacity tables

8.1 Cooling

TC: Total Capacity SC: Sensible Capacity WB: Wet-bulb Temperature DB: Dry-bulb Temperature

Capacity (kW)	Outdoor temperature (°C DB)	Indoor temperature (°C WB/DB)													
		14/20		16/23		18/26		19/27		20/28		22/30		24/32	
		TC kW	SC kW	TC kW	SC kW	TC kW	SC kW	TC kW	SC kW	TC kW	SC kW	TC kW	SC kW	TC kW	SC kW
2.2	10	1.52	1.37	1.80	1.44	2.07	1.62	2.20	1.62	2.40	1.72	2.56	1.74	2.67	1.56
	12	1.52	1.37	1.80	1.44	2.07	1.62	2.20	1.62	2.40	1.72	2.56	1.74	2.64	1.55
	14	1.52	1.37	1.80	1.44	2.07	1.62	2.20	1.62	2.40	1.72	2.54	1.73	2.62	1.54
	16	1.52	1.37	1.80	1.44	2.07	1.62	2.20	1.62	2.40	1.72	2.52	1.71	2.60	1.52
	18	1.52	1.37	1.80	1.44	2.07	1.62	2.20	1.62	2.40	1.72	2.50	1.70	2.57	1.51
	19	1.52	1.37	1.80	1.44	2.07	1.62	2.20	1.62	2.40	1.72	2.47	1.68	2.55	1.49
	21	1.52	1.37	1.80	1.44	2.07	1.62	2.20	1.62	2.40	1.72	2.45	1.67	2.52	1.48
	23	1.52	1.37	1.80	1.44	2.07	1.62	2.20	1.62	2.40	1.72	2.43	1.65	2.50	1.47
	25	1.52	1.37	1.80	1.44	2.07	1.62	2.20	1.62	2.40	1.70	2.40	1.63	2.48	1.45
	27	1.52	1.37	1.80	1.44	2.07	1.62	2.20	1.62	2.37	1.69	2.38	1.62	2.45	1.44
	29	1.52	1.37	1.80	1.44	2.07	1.62	2.20	1.62	2.35	1.67	2.36	1.60	2.43	1.43
	31	1.52	1.37	1.80	1.44	2.07	1.62	2.20	1.62	2.33	1.65	2.34	1.59	2.41	1.41
	33	1.52	1.37	1.80	1.44	2.07	1.62	2.20	1.62	2.31	1.62	2.31	1.57	2.38	1.40
	35	1.52	1.37	1.80	1.44	2.07	1.62	2.20	1.62	2.27	1.61	2.29	1.56	2.36	1.38
	37	1.52	1.37	1.80	1.44	2.07	1.62	2.20	1.61	2.24	1.57	2.27	1.53	2.31	1.36
	39	1.52	1.37	1.80	1.44	2.07	1.62	2.20	1.60	2.22	1.56	2.24	1.51	2.29	1.34
	41	1.52	1.37	1.80	1.44	2.05	1.62	2.18	1.59	2.20	1.54	2.22	1.49	2.26	1.33
	43	1.52	1.37	1.80	1.44	2.02	1.62	2.16	1.58	2.18	1.53	2.20	1.48	2.24	1.31
	46	1.52	1.37	1.76	1.41	1.96	1.62	2.13	1.58	2.16	1.51	2.18	1.46	2.22	1.30
	48	1.52	1.37	1.74	1.39	1.89	1.57	2.07	1.56	2.13	1.49	2.11	1.45	2.16	1.29
50	1.50	1.37	1.73	1.38	1.83	1.55	2.00	1.52	2.07	1.48	2.05	1.43	2.09	1.27	
2.8	10	1.94	1.75	2.29	1.83	2.64	2.06	2.80	2.06	3.05	2.19	3.26	2.22	3.39	1.99
	12	1.94	1.75	2.29	1.83	2.64	2.06	2.80	2.06	3.05	2.19	3.26	2.22	3.36	1.97
	14	1.94	1.75	2.29	1.83	2.64	2.06	2.80	2.06	3.05	2.19	3.23	2.20	3.33	1.96
	16	1.94	1.75	2.29	1.83	2.64	2.06	2.80	2.06	3.05	2.19	3.20	2.18	3.30	1.94
	18	1.94	1.75	2.29	1.83	2.64	2.06	2.80	2.06	3.05	2.19	3.18	2.16	3.27	1.92
	19	1.94	1.75	2.29	1.83	2.64	2.06	2.80	2.06	3.05	2.19	3.15	2.14	3.24	1.90
	21	1.94	1.75	2.29	1.83	2.64	2.06	2.80	2.06	3.05	2.19	3.12	2.12	3.21	1.88
	23	1.94	1.75	2.29	1.83	2.64	2.06	2.80	2.06	3.05	2.19	3.09	2.10	3.18	1.87
	25	1.94	1.75	2.29	1.83	2.64	2.06	2.80	2.06	3.05	2.17	3.06	2.08	3.15	1.85
	27	1.94	1.75	2.29	1.83	2.64	2.06	2.80	2.06	3.02	2.15	3.03	2.06	3.12	1.83
	29	1.94	1.75	2.29	1.83	2.64	2.06	2.80	2.06	2.99	2.13	3.00	2.04	3.09	1.81
	31	1.94	1.75	2.29	1.83	2.64	2.06	2.80	2.06	2.96	2.11	2.97	2.02	3.06	1.80
	33	1.94	1.75	2.29	1.83	2.64	2.06	2.80	2.06	2.93	2.07	2.94	2.00	3.03	1.78
	35	1.94	1.75	2.29	1.83	2.64	2.06	2.80	2.06	2.89	2.04	2.91	1.98	3.00	1.76
	37	1.94	1.75	2.29	1.83	2.64	2.06	2.80	2.05	2.85	2.00	2.88	1.94	2.94	1.73
	39	1.94	1.75	2.29	1.83	2.64	2.06	2.80	2.03	2.83	1.98	2.86	1.92	2.91	1.71
	41	1.94	1.75	2.29	1.83	2.60	2.06	2.77	2.02	2.80	1.96	2.83	1.90	2.88	1.69
	43	1.94	1.75	2.29	1.83	2.58	2.06	2.74	2.01	2.77	1.94	2.80	1.88	2.85	1.67
	46	1.94	1.75	2.24	1.79	2.49	2.06	2.72	2.01	2.74	1.92	2.77	1.86	2.83	1.66
	48	1.94	1.75	2.22	1.77	2.41	1.99	2.63	1.99	2.72	1.90	2.69	1.84	2.74	1.64
50	1.90	1.75	2.20	1.75	2.32	1.97	2.55	1.93	2.63	1.88	2.60	1.82	2.66	1.62	
3.6	10	2.49	2.25	2.94	2.35	3.39	2.64	3.60	2.64	3.92	2.81	4.20	2.85	4.36	2.56
	12	2.49	2.25	2.94	2.35	3.39	2.64	3.60	2.64	3.92	2.81	4.20	2.85	4.32	2.54
	14	2.49	2.25	2.94	2.35	3.39	2.64	3.60	2.64	3.92	2.81	4.16	2.83	4.29	2.51
	16	2.49	2.25	2.94	2.35	3.39	2.64	3.60	2.64	3.92	2.81	4.12	2.80	4.25	2.49
	18	2.49	2.25	2.94	2.35	3.39	2.64	3.60	2.64	3.92	2.81	4.08	2.78	4.21	2.47
	19	2.49	2.25	2.94	2.35	3.39	2.64	3.60	2.64	3.92	2.81	4.05	2.75	4.17	2.45
	21	2.49	2.25	2.94	2.35	3.39	2.64	3.60	2.64	3.92	2.81	4.01	2.73	4.13	2.42
	23	2.49	2.25	2.94	2.35	3.39	2.64	3.60	2.64	3.92	2.81	3.97	2.70	4.09	2.40
	25	2.49	2.25	2.94	2.35	3.39	2.64	3.60	2.64	3.92	2.79	3.93	2.67	4.05	2.38
	27	2.49	2.25	2.94	2.35	3.39	2.64	3.60	2.64	3.88	2.76	3.90	2.65	4.01	2.36
	29	2.49	2.25	2.94	2.35	3.39	2.64	3.60	2.64	3.85	2.73	3.86	2.62	3.98	2.33
	31	2.49	2.25	2.94	2.35	3.39	2.64	3.60	2.64	3.81	2.71	3.82	2.60	3.94	2.31
	33	2.49	2.25	2.94	2.35	3.39	2.64	3.60	2.64	3.77	2.66	3.78	2.57	3.90	2.29
	35	2.49	2.25	2.94	2.35	3.39	2.64	3.60	2.64	3.72	2.63	3.75	2.55	3.86	2.26
	37	2.49	2.25	2.94	2.35	3.39	2.64	3.60	2.63	3.66	2.58	3.71	2.50	3.78	2.22
	39	2.49	2.25	2.94	2.35	3.39	2.64	3.60	2.61	3.64	2.55	3.67	2.47	3.74	2.20
	41	2.49	2.25	2.94	2.35	3.35	2.64	3.56	2.60	3.60	2.52	3.64	2.44	3.71	2.17
	43	2.49	2.25	2.94	2.35	3.31	2.64	3.53	2.59	3.56	2.50	3.60	2.42	3.67	2.15
	46	2.49	2.25	2.88	2.30	3.20	2.64	3.49	2.58	3.53	2.47	3.56	2.39	3.64	2.13
	48	2.49	2.25	2.85	2.28	3.10	2.56	3.38	2.55	3.49	2.44	3.46	2.37	3.53	2.11
50	2.45	2.25	2.83	2.26	2.99	2.54	3.28	2.48	3.38	2.42	3.35	2.34	3.42	2.08	

TC: Total Capacity SC: Sensible Capacity WB: Wet-bulb Temperature DB: Dry-bulb Temperature

Capacity (kW)	Outdoor temperature (°C DB)	Indoor temperature (°C WB/DB)													
		14/20		16/23		18/26		19/27		20/28		22/30		24/32	
		TC	SC	TC	SC	TC	SC	TC	SC	TC	SC	TC	SC	TC	SC
		kW	kW	kW	kW	kW	kW	kW	kW	kW	kW	kW	kW	kW	kW
4.5	10	3.12	2.81	3.68	2.94	4.24	3.30	4.50	3.30	4.90	3.52	5.24	3.57	5.45	3.20
	12	3.12	2.81	3.68	2.94	4.24	3.30	4.50	3.30	4.90	3.52	5.24	3.57	5.41	3.17
	14	3.12	2.81	3.68	2.94	4.24	3.30	4.50	3.30	4.90	3.52	5.20	3.53	5.36	3.14
	16	3.12	2.81	3.68	2.94	4.24	3.30	4.50	3.30	4.90	3.52	5.15	3.50	5.31	3.11
	18	3.12	2.81	3.68	2.94	4.24	3.30	4.50	3.30	4.90	3.52	5.10	3.47	5.26	3.09
	19	3.12	2.81	3.68	2.94	4.24	3.30	4.50	3.30	4.90	3.52	5.06	3.44	5.21	3.06
	21	3.12	2.81	3.68	2.94	4.24	3.30	4.50	3.30	4.90	3.52	5.01	3.41	5.16	3.03
	23	3.12	2.81	3.68	2.94	4.24	3.30	4.50	3.30	4.90	3.52	4.96	3.37	5.11	3.00
	25	3.12	2.81	3.68	2.94	4.24	3.30	4.50	3.30	4.90	3.48	4.92	3.34	5.07	2.97
	27	3.12	2.81	3.68	2.94	4.24	3.30	4.50	3.30	4.85	3.45	4.87	3.31	5.02	2.94
	29	3.12	2.81	3.68	2.94	4.24	3.30	4.50	3.30	4.81	3.42	4.82	3.28	4.97	2.92
	31	3.12	2.81	3.68	2.94	4.24	3.30	4.50	3.30	4.76	3.38	4.78	3.25	4.92	2.89
	33	3.12	2.81	3.68	2.94	4.24	3.30	4.50	3.30	4.72	3.32	4.73	3.22	4.87	2.86
	35	3.12	2.81	3.68	2.94	4.24	3.30	4.50	3.30	4.65	3.29	4.68	3.18	4.83	2.83
	37	3.12	2.81	3.68	2.94	4.24	3.30	4.50	3.29	4.58	3.22	4.64	3.12	4.73	2.77
	39	3.12	2.81	3.68	2.94	4.24	3.30	4.50	3.27	4.54	3.19	4.59	3.09	4.68	2.75
	41	3.12	2.81	3.68	2.94	4.19	3.30	4.46	3.25	4.50	3.15	4.54	3.06	4.63	2.72
	43	3.12	2.81	3.68	2.94	4.14	3.30	4.41	3.24	4.46	3.12	4.50	3.02	4.58	2.69
	46	3.12	2.81	3.61	2.88	4.01	3.30	4.36	3.22	4.41	3.09	4.46	2.99	4.54	2.66
	48	3.12	2.81	3.57	2.85	3.87	3.21	4.23	3.19	4.36	3.06	4.32	2.96	4.41	2.63
50	3.06	2.81	3.53	2.82	3.74	3.17	4.09	3.11	4.23	3.02	4.19	2.93	4.28	2.60	
5.1	10	3.88	3.19	4.17	3.33	4.81	3.75	5.10	3.74	5.55	3.99	5.94	4.04	6.18	3.63
	12	3.88	3.19	4.17	3.33	4.81	3.75	5.10	3.74	5.55	3.99	5.94	4.04	6.13	3.59
	14	3.88	3.19	4.17	3.33	4.81	3.75	5.10	3.74	5.55	3.99	5.89	4.00	6.07	3.56
	16	3.88	3.19	4.17	3.33	4.81	3.75	5.10	3.74	5.55	3.99	5.84	3.97	6.02	3.53
	18	3.88	3.19	4.17	3.33	4.81	3.75	5.10	3.74	5.55	3.99	5.78	3.93	5.96	3.50
	19	3.88	3.19	4.17	3.33	4.81	3.75	5.10	3.74	5.55	3.99	5.73	3.90	5.91	3.46
	21	3.88	3.19	4.17	3.33	4.81	3.75	5.10	3.74	5.55	3.99	5.68	3.86	5.85	3.43
	23	3.88	3.19	4.17	3.33	4.81	3.75	5.10	3.74	5.55	3.99	5.62	3.82	5.80	3.40
	25	3.88	3.19	4.17	3.33	4.81	3.75	5.10	3.74	5.55	3.95	5.57	3.79	5.74	3.37
	27	3.88	3.19	4.17	3.33	4.81	3.75	5.10	3.74	5.50	3.91	5.52	3.75	5.69	3.34
	29	3.88	3.19	4.17	3.33	4.81	3.75	5.10	3.74	5.45	3.87	5.47	3.72	5.63	3.30
	31	3.88	3.19	4.17	3.33	4.81	3.75	5.10	3.74	5.40	3.84	5.41	3.68	5.58	3.27
	33	3.88	3.19	4.17	3.33	4.81	3.75	5.10	3.74	5.34	3.76	5.36	3.64	5.52	3.24
	35	3.88	3.19	4.17	3.33	4.81	3.75	5.10	3.74	5.27	3.72	5.31	3.61	5.47	3.21
	37	3.88	3.19	4.17	3.33	4.81	3.75	5.10	3.73	5.19	3.65	5.25	3.54	5.36	3.14
	39	3.88	3.19	4.17	3.33	4.81	3.75	5.10	3.70	5.15	3.61	5.20	3.50	5.30	3.11
	41	3.88	3.19	4.17	3.33	4.74	3.75	5.05	3.69	5.10	3.58	5.15	3.46	5.25	3.08
	43	3.88	3.19	4.17	3.33	4.69	3.75	5.00	3.67	5.05	3.54	5.10	3.43	5.20	3.05
	46	3.88	3.19	4.09	3.26	4.54	3.75	4.95	3.65	5.00	3.50	5.05	3.39	5.15	3.02
	48	3.88	3.19	4.04	3.23	4.39	3.63	4.79	3.62	4.95	3.46	4.90	3.36	5.00	2.98
50	3.81	3.19	4.00	3.19	4.23	3.60	4.64	3.52	4.79	3.43	4.74	3.32	4.85	2.95	
5.6	10	3.88	3.50	4.58	3.65	5.28	4.11	5.60	4.11	6.10	4.38	6.53	4.44	6.79	3.98
	12	3.88	3.50	4.58	3.65	5.28	4.11	5.60	4.11	6.10	4.38	6.53	4.44	6.73	3.95
	14	3.88	3.50	4.58	3.65	5.28	4.11	5.60	4.11	6.10	4.38	6.47	4.40	6.67	3.91
	16	3.88	3.50	4.58	3.65	5.28	4.11	5.60	4.11	6.10	4.38	6.41	4.36	6.61	3.88
	18	3.88	3.50	4.58	3.65	5.28	4.11	5.60	4.11	6.10	4.38	6.35	4.32	6.55	3.84
	19	3.88	3.50	4.58	3.65	5.28	4.11	5.60	4.11	6.10	4.38	6.29	4.28	6.49	3.80
	21	3.88	3.50	4.58	3.65	5.28	4.11	5.60	4.11	6.10	4.38	6.24	4.24	6.42	3.77
	23	3.88	3.50	4.58	3.65	5.28	4.11	5.60	4.11	6.10	4.38	6.18	4.20	6.36	3.73
	25	3.88	3.50	4.58	3.65	5.28	4.11	5.60	4.11	6.10	4.33	6.12	4.16	6.30	3.70
	27	3.88	3.50	4.58	3.65	5.28	4.11	5.60	4.11	6.04	4.29	6.06	4.12	6.24	3.66
	29	3.88	3.50	4.58	3.65	5.28	4.11	5.60	4.11	5.98	4.25	6.00	4.08	6.18	3.63
	31	3.88	3.50	4.58	3.65	5.28	4.11	5.60	4.11	5.93	4.21	5.94	4.04	6.12	3.59
	33	3.88	3.50	4.58	3.65	5.28	4.11	5.60	4.11	5.87	4.13	5.88	4.00	6.06	3.56
	35	3.88	3.50	4.58	3.65	5.28	4.11	5.60	4.11	5.78	4.09	5.83	3.96	6.00	3.52
	37	3.88	3.50	4.58	3.65	5.28	4.11	5.60	4.09	5.70	4.01	5.77	3.88	5.88	3.45
	39	3.88	3.50	4.58	3.65	5.28	4.11	5.60	4.07	5.66	3.97	5.71	3.84	5.82	3.42
	41	3.88	3.50	4.58	3.65	5.21	4.11	5.54	4.05	5.60	3.93	5.66	3.80	5.76	3.38
	43	3.88	3.50	4.58	3.65	5.15	4.11	5.49	4.03	5.54	3.89	5.60	3.76	5.70	3.35
	46	3.88	3.50	4.49	3.58	4.98	4.11	5.43	4.01	5.49	3.84	5.54	3.72	5.66	3.31
	48	3.88	3.50	4.44	3.54	4.82	3.99	5.26	3.97	5.43	3.80	5.38	3.68	5.49	3.28
50	3.81	3.50	4.40	3.51	4.65	3.95	5.10	3.86	5.26	3.76	5.21	3.64	5.32	3.24	

TC: Total Capacity SC: Sensible Capacity WB: Wet-bulb Temperature DB: Dry-bulb Temperature

Capacity (kW)	Outdoor temperatur e (°C DB)	Indoor temperature (°C WB/DB)													
		14/20		16/23		18/26		19/27		20/28		22/30		24/32	
		TC kW	SC kW	TC kW	SC kW	TC kW	SC kW	TC kW	SC kW	TC kW	SC kW	TC kW	SC kW	TC kW	SC kW
7.1	10	4.92	4.44	5.80	4.63	6.69	5.21	7.10	5.21	7.73	5.55	8.27	5.63	8.60	5.05
	12	4.92	4.44	5.80	4.63	6.69	5.21	7.10	5.21	7.73	5.55	8.27	5.63	8.53	5.00
	14	4.92	4.44	5.80	4.63	6.69	5.21	7.10	5.21	7.73	5.55	8.20	5.58	8.45	4.96
	16	4.92	4.44	5.80	4.63	6.69	5.21	7.10	5.21	7.73	5.55	8.13	5.53	8.38	4.91
	18	4.92	4.44	5.80	4.63	6.69	5.21	7.10	5.21	7.73	5.55	8.05	5.47	8.30	4.87
	19	4.92	4.44	5.80	4.63	6.69	5.21	7.10	5.21	7.73	5.55	7.98	5.42	8.22	4.82
	21	4.92	4.44	5.80	4.63	6.69	5.21	7.10	5.21	7.73	5.55	7.91	5.37	8.15	4.78
	23	4.92	4.44	5.80	4.63	6.69	5.21	7.10	5.21	7.73	5.55	7.83	5.32	8.07	4.73
	25	4.92	4.44	5.80	4.63	6.69	5.21	7.10	5.21	7.73	5.50	7.76	5.27	7.99	4.69
	27	4.92	4.44	5.80	4.63	6.69	5.21	7.10	5.21	7.66	5.44	7.68	5.22	7.92	4.64
	29	4.92	4.44	5.80	4.63	6.69	5.21	7.10	5.21	7.58	5.39	7.61	5.17	7.84	4.60
	31	4.92	4.44	5.80	4.63	6.69	5.21	7.10	5.21	7.51	5.34	7.54	5.12	7.76	4.56
	33	4.92	4.44	5.80	4.63	6.69	5.21	7.10	5.21	7.44	5.24	7.46	5.07	7.69	4.51
	35	4.92	4.44	5.80	4.63	6.69	5.21	7.10	5.21	7.33	5.18	7.39	5.02	7.61	4.47
	37	4.92	4.44	5.80	4.63	6.69	5.21	7.10	5.19	7.22	5.08	7.31	4.92	7.46	4.38
	39	4.92	4.44	5.80	4.63	6.69	5.21	7.10	5.15	7.17	5.03	7.24	4.87	7.38	4.33
	41	4.92	4.44	5.80	4.63	6.60	5.21	7.03	5.13	7.10	4.98	7.17	4.82	7.31	4.29
43	4.92	4.44	5.80	4.63	6.53	5.21	6.96	5.11	7.03	4.93	7.10	4.77	7.23	4.24	
46	4.92	4.44	5.69	4.54	6.32	5.21	6.89	5.09	6.96	4.87	7.03	4.72	7.17	4.20	
48	4.92	4.44	5.63	4.49	6.11	5.06	6.67	5.03	6.89	4.82	6.82	4.67	6.96	4.15	
50	4.83	4.44	5.57	4.45	5.89	5.01	6.46	4.90	6.67	4.77	6.60	4.62	6.75	4.11	

8.2 Heating

TC: Total Capacity WB: Wet-bulb Temperature DB: Dry-bulb Temperature

Capacity (kW)	Outdoor temperature (°C)		Indoor temperature (°C DB)					
			16	18	20	21	22	24
	WB	DB	TC kW	TC kW	TC kW	TC kW	TC kW	TC kW
2.2	-20	-19.8	1.46	1.46	1.46	1.46	1.46	1.46
	-19	-18.8	1.56	1.56	1.56	1.56	1.56	1.56
	-17	-16.7	1.64	1.64	1.64	1.64	1.64	1.64
	-15	-14.7	1.69	1.69	1.69	1.69	1.69	1.69
	-13	-12.6	1.79	1.79	1.79	1.79	1.79	1.79
	-11	-10.5	1.82	1.85	1.85	1.85	1.85	1.85
	-10	-9.5	1.90	1.90	1.90	1.90	1.90	1.90
	-9.1	-8.5	1.95	1.95	1.95	1.95	1.95	1.95
	-7.6	-7	1.98	1.98	1.98	1.98	1.98	1.98
	-5.6	-5	2.05	2.05	2.05	2.05	2.05	2.05
	-3.7	-3	2.16	2.16	2.16	2.16	2.16	2.16
	-0.7	0	2.31	2.31	2.31	2.31	2.31	2.18
	2.2	3	2.44	2.44	2.44	2.44	2.39	2.18
	4.1	5	2.50	2.50	2.50	2.50	2.39	2.18
	6	7	2.60	2.60	2.50	2.50	2.39	2.18
	2.8	-20	-19.8	1.79	1.79	1.79	1.79	1.79
-19		-18.8	1.92	1.92	1.92	1.92	1.92	1.92
-17		-16.7	2.02	2.02	2.02	2.02	2.02	2.02
-15		-14.7	2.02	2.02	2.02	2.02	2.02	2.02
-13		-12.6	2.14	2.14	2.14	2.14	2.14	2.14
-11		-10.5	2.24	2.24	2.24	2.24	2.24	2.24
-10		-9.5	2.34	2.34	2.34	2.34	2.34	2.34
-9.1		-8.5	2.40	2.40	2.40	2.40	2.40	2.40
-7.6		-7	2.43	2.43	2.43	2.43	2.43	2.43
-5.6		-5	2.53	2.53	2.53	2.53	2.53	2.53
-3.7		-3	2.66	2.66	2.66	2.66	2.66	2.66
-0.7		0	2.85	2.85	2.85	2.85	2.85	2.69
2.2		3	3.01	3.01	3.01	3.01	2.94	2.69
4.1		5	3.10	3.10	3.10	3.10	2.94	2.69
6		7	3.20	3.20	3.20	3.10	2.94	2.69
3.6		-20	-19.8	2.24	2.24	2.24	2.24	2.24
	-19	-18.8	2.40	2.40	2.40	2.40	2.40	2.40
	-17	-16.7	2.52	2.52	2.52	2.52	2.52	2.52
	-15	-14.7	2.60	2.60	2.60	2.60	2.60	2.60
	-13	-12.6	2.68	2.68	2.68	2.68	2.68	2.68
	-11	-10.5	2.80	2.80	2.80	2.80	2.80	2.80
	-10	-9.5	2.92	2.92	2.92	2.92	2.92	2.92
	-9.1	-8.5	3.00	3.00	3.00	3.00	3.00	3.00
	-7.6	-7	3.04	3.04	3.04	3.04	3.04	3.04
	-5.6	-5	3.16	3.16	3.16	3.16	3.16	3.16
	-3.7	-3	3.32	3.32	3.32	3.32	3.32	3.32
	-0.7	0	3.56	3.56	3.56	3.56	3.56	3.36
	2.2	3	3.76	3.76	3.76	3.76	3.68	3.36
	4.1	5	3.88	3.88	3.88	3.88	3.68	3.36
	6	7	4.00	4.00	4.00	3.88	3.68	3.36
	7.9	9	4.12	4.12	4.00	3.88	3.68	3.36
9.8	11	4.24	4.24	4.00	3.88	3.68	3.36	
11.8	13	4.40	4.32	4.00	3.88	3.68	3.36	
13.7	15	4.52	4.32	4.00	3.88	3.68	3.36	

TC: Total Capacity WB: Wet-bulb Temperature DB: Dry-bulb Temperature

Capacity (kW)	Outdoor temperature (°C)		Indoor temperature (°C DB)					
			16	18	20	21	22	24
	WB	DB	TC kW	TC kW	TC kW	TC kW	TC kW	TC kW
4.5	-20	-19.8	2.80	2.80	2.80	2.80	2.80	2.80
	-19	-18.8	3.00	3.00	3.00	3.00	3.00	3.00
	-17	-16.7	3.15	3.15	3.15	3.15	3.15	3.15
	-15	-14.7	3.25	3.25	3.25	3.25	3.25	3.25
	-13	-12.6	3.35	3.35	3.35	3.35	3.35	3.35
	-11	-10.5	3.50	3.50	3.50	3.50	3.50	3.50
	-10	-9.5	3.65	3.65	3.65	3.65	3.65	3.65
	-9.1	-8.5	3.75	3.75	3.75	3.75	3.75	3.75
	-7.6	-7	3.80	3.80	3.80	3.80	3.80	3.80
	-5.6	-5	3.95	3.95	3.95	3.95	3.95	3.95
	-3.7	-3	4.15	4.15	4.15	4.15	4.15	4.15
	-0.7	0	4.45	4.45	4.45	4.45	4.45	4.20
	2.2	3	4.70	4.70	4.70	4.70	4.60	4.20
	4.1	5	4.85	4.85	4.85	4.85	4.60	4.20
	6	7	5.00	5.00	5.00	4.85	4.60	4.20
	5.1	-20	-19.8	3.21	3.21	3.21	3.21	3.21
-19		-18.8	3.44	3.44	3.44	3.44	3.44	3.44
-17		-16.7	3.62	3.62	3.62	3.62	3.62	3.62
-15		-14.7	3.73	3.73	3.73	3.73	3.73	3.73
-13		-12.6	3.84	3.84	3.84	3.84	3.84	3.84
-11		-10.5	4.02	4.02	4.02	4.02	4.02	4.02
-10		-9.5	4.19	4.19	4.19	4.19	4.19	4.19
-9.1		-8.5	4.31	4.31	4.31	4.31	4.31	4.31
-7.6		-7	4.36	4.36	4.36	4.36	4.36	4.36
-5.6		-5	4.54	4.54	4.54	4.54	4.54	4.54
-3.7		-3	4.76	4.76	4.76	4.76	4.76	4.76
-0.7		0	5.11	5.11	5.11	5.11	5.11	4.82
2.2		3	5.39	5.39	5.39	5.39	5.28	4.82
4.1		5	5.56	5.56	5.56	5.56	5.28	4.82
6		7	5.60	5.60	5.60	5.56	5.28	4.82
5.6		-20	-19.8	3.53	3.53	3.53	3.53	3.53
	-19	-18.8	3.78	3.78	3.78	3.78	3.78	3.78
	-17	-16.7	3.97	3.97	3.97	3.97	3.97	3.97
	-15	-14.7	4.10	4.10	4.10	4.10	4.10	4.10
	-13	-12.6	4.22	4.22	4.22	4.22	4.22	4.22
	-11	-10.5	4.41	4.41	4.41	4.41	4.41	4.41
	-10	-9.5	4.60	4.60	4.60	4.60	4.60	4.60
	-9.1	-8.5	4.73	4.73	4.73	4.73	4.73	4.73
	-7.6	-7	4.79	4.79	4.79	4.79	4.79	4.79
	-5.6	-5	4.98	4.98	4.98	4.98	4.98	4.98
	-3.7	-3	5.23	5.23	5.23	5.23	5.23	5.23
	-0.7	0	5.61	5.61	5.61	5.61	5.61	5.29
	2.2	3	5.92	5.92	5.92	5.92	5.80	5.29
	4.1	5	6.11	6.11	6.11	6.11	5.80	5.29
	6	7	6.20	6.20	6.20	6.11	5.80	5.29
	7.9	9	6.49	6.49	6.20	6.11	5.80	5.29
9.8	11	6.68	6.68	6.20	6.11	5.80	5.29	
11.8	13	6.93	6.80	6.20	6.11	5.80	5.29	
13.7	15	7.12	6.80	6.20	6.11	5.80	5.29	

TC: Total Capacity WB: Wet-bulb Temperature DB: Dry-bulb Temperature

Capacity (kW)	Outdoor temperature (°C)		Indoor temperature (°C DB)					
			16	18	20	21	22	24
	WB	DB	TC kW	TC kW	TC kW	TC kW	TC kW	TC kW
7.1	-20	-19.8	4.48	4.48	4.48	4.48	4.48	4.48
	-19	-18.8	4.80	4.80	4.80	4.80	4.80	4.80
	-17	-16.7	5.04	5.04	5.04	5.04	5.04	5.04
	-15	-14.7	5.20	5.20	5.20	5.20	5.20	5.20
	-13	-12.6	5.36	5.36	5.36	5.36	5.36	5.36
	-11	-10.5	5.60	5.60	5.60	5.60	5.60	5.60
	-10	-9.5	5.84	5.84	5.84	5.84	5.84	5.84
	-9.1	-8.5	6.00	6.00	6.00	6.00	6.00	6.00
	-7.6	-7	6.08	6.08	6.08	6.08	6.08	6.08
	-5.6	-5	6.32	6.32	6.32	6.32	6.32	6.32
	-3.7	-3	6.64	6.64	6.64	6.64	6.64	6.64
	-0.7	0	7.12	7.12	7.12	7.12	7.12	6.72
	2.2	3	7.52	7.52	7.52	7.52	7.36	6.72
	4.1	5	7.76	7.76	7.76	7.76	7.36	6.72
	6	7	7.80	7.80	7.80	7.76	7.36	6.72
	7.9	9	8.24	8.24	7.80	7.76	7.36	6.72
9.8	11	8.48	8.48	7.80	7.76	7.36	6.72	
11.8	13	8.80	8.64	7.80	7.76	7.36	6.72	
13.7	15	9.04	8.64	7.80	7.76	7.36	6.72	

9. Electrical characteristics

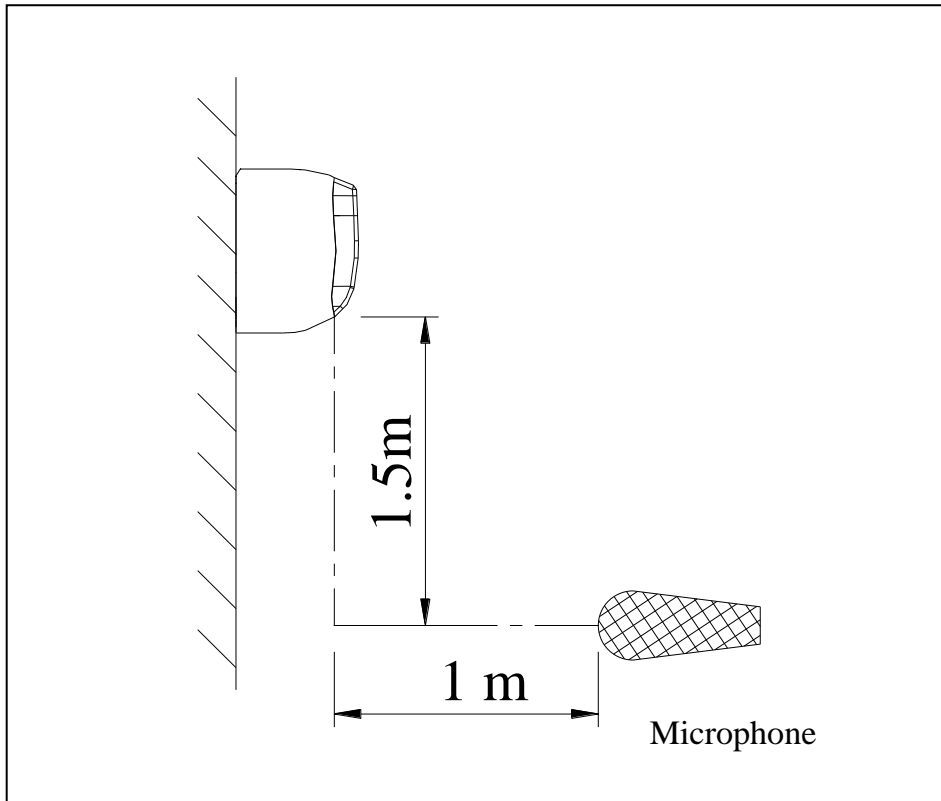
Model	Indoor unit				MFC	Power cable			Signal cable
	Hz	Voltage	Minimum	Maximum		L ≤ 20m	L ≤ 50m	Grounded	
VEWP008Q0A-GWV022	50-60Hz	220-240V	198	264	15	2*1.5mm ²	2*2.5mm ²	2.5mm ²	2*0.75 mm ²
VEWP010Q0A-GWV028	50-60Hz	220-240V	198	264	15	2*1.5mm ²	2*2.5mm ²	2.5mm ²	2*0.75 mm ²
VEWP012Q0A-GWV036	50-60Hz	220-240V	198	264	15	2*1.5mm ²	2*2.5mm ²	2.5mm ²	2*0.75 mm ²
VEWP015Q0A-GWV045	50-60Hz	220-240V	198	264	15	2*1.5mm ²	2*2.5mm ²	2.5mm ²	2*0.75 mm ²
VEWP019Q0A-GWV056	50-60Hz	220-240V	198	264	15	2*1.5mm ²	2*2.5mm ²	2.5mm ²	2*0.75 mm ²
VEWP024Q0A-GWV071	50-60Hz	220-240V	198	264	15	2*1.5mm ²	2*2.5mm ²	2.5mm ²	2*0.75 mm ²

Notes:

- 1) Minimum: Permitted minimum operating voltage, lower than this value may damage the system
- 2) Maximum: Permitted maximum operating voltage, higher than this value may damage the system
- 3) MC: Minimum Current (A)
- 4) MFC: Maximum Fuse Current (A)
- 5) L: Total length of cable (m)

10. Sound levels

10.1 Test condition



Notes:

Semi-anechoic chamber conversion value, measured at a point 1m in front of the unit at a height of 1.5m

10.2 Test data (Sound pressure level)


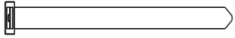
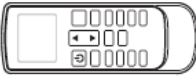






Model	Sound pressure level (dB(A))		
	High speed	Medium speed	Low speed
VEWP008Q0A-GWV022	33	26	24
VEWP010Q0A-GWV028	33	26	24
VEWP012Q0A-GWV036	36	28	27
VEWP015Q0A-GWV045	38	30	29
VEWP019Q0A-GWV056	42	36	32
VEWP024Q0A-GWV071	43	38	35

Notes:

During actual operation, these values are normally somewhat higher as a result of ambient conditions.

11. Accessories

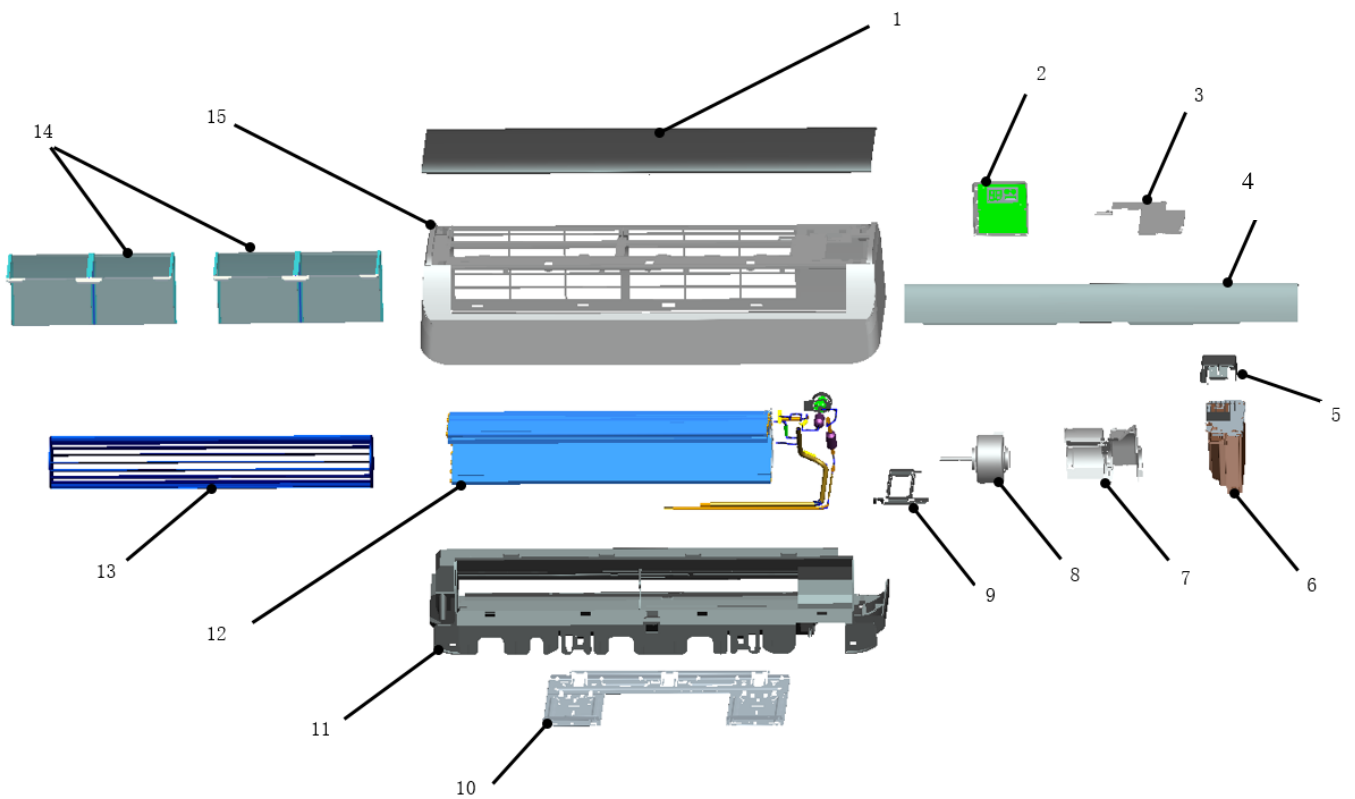
11.1 Standard accessories.

Item	Quantity	Shape	Usage
Installation manual for indoor unit	1	/	Must deliver to customer
Insulation sheath	2		Thermal insulation for the jointing part of piping
Strapping tapes	6		Bind up the wires and pipes
Remote controller	1		For controlling indoor unit
Batteries	2		Power to remote controller
EXV connecting pipe	1		Only for EXV separated type of units.
Drainage connection pipe	1		For connecting draining condensate water pipe to indoor unit
Bag	3		For bagging accessories
Dome insulated tip	6		Used to connect wires
X-type insulated tip	3		Used to connect wires

11.2 Local buy accessories.

Item	Specification		
	2.2kW~2.8kW	3.6kW~5.6kW	7.1kW~8.0kW
Liquid side copper pipe	Ø6.35mm*0.8mm		Ø9.52mm*0.8mm
Gas side copper pipe	Ø9.52mm*0.8mm	Ø12.7mm*0.8mm	Ø15.9mm*1.0mm
Drainage pipe	PVC		
Pipe insulation	Thickness ≥ 10mm		
Power cables	2*1.5 mm ² (When total cable length is ≤20m) 2*2.5 mm ² (When total cable length is ≤50m)		
Grounded cable	2.5 mm ²		
Signal cables	2*0.75 mm ² (AVP, RVP, RVVP)		

12. Exploded view



No.	Part Name	QTY	No.	Part Name	QTY
1	Panel	1	7	Motor cover	1
2	Display box assembly	1	8	Indoor fan motor	1
2.1	Display box	1	9	Fixing tube panel	1
2.2	Display panel assembly	1	10	Wall mounted plate	1
3	E-parts cover	1	11	Base assy	1
4	Louver assy	1	12	Evaporator components	1
5	Terminal cover	1	13	Cross flow fan	1
6	Indoor E-parts	1	14	Filter	2
6.1	E-parts box	1	15	Middle frame assy	1
6.2	E-parts box cover	1			
6.3	main PCB	1			
6.4	Fireproof board 1	1			
6.5	Fireproof board 2	1			
6.6	Temperature sensor group	1			

13. Fault code table

Definitions of malfunction	Contents appearing
The first time to switch on and there is no address	FE
Errors of phase sequence or fault of losing phase	E0
Communication failure of indoor and outdoor unit	E1
T1 sensor fault	E2
T2 sensor fault	E3
T2B sensor fault	E4
Malfunction of outdoor unit	E5
Testing fault of zero-crossing signal	E6
EEPROM malfunction	E7
Wind testing fault of PG electric motor	E8
Communication fault of wire controller	E9
Alarming fault of water level switch	EE
Model conflict	EF



OMEGA
ENVIRONMENTAL
TECHNOLOGIES LLC.

17702 Mitchell North, #101
Irvine, CA. 92614 .USA
Tel: 714 795 2830
Fax: 714 966 1646
info@omegavrf.com
www.omegavrf.com

OTECTM
AIR CONDITIONING

Showroom & Technology Center
11380 Interchange Circle North
Miramar, FL 33025 .USA
Tel: 305 901 1270
Fax: 954 212 8280
info@otecomega.com
wwwotecomega.com

VEWPQ0A-TM1D0423