

OMEGA APRI Series Inverter Rooftop Package

SUBMITTAL DATA

380-415V/3/50Hz

Job: _____
 Location: _____
 Schedule No.: _____
 System Designation: _____

Engineer: _____
 Architect: _____
 Date: _____
 For: Reference Approval Review Construction

FEATURES

- DC Inverter Motor
- High Efficiency Fan Blade
- Gold Fin Condenser
- High Efficiency Inverter Compressor
- Wired Remote Controller
- Horizontal Supply and Return



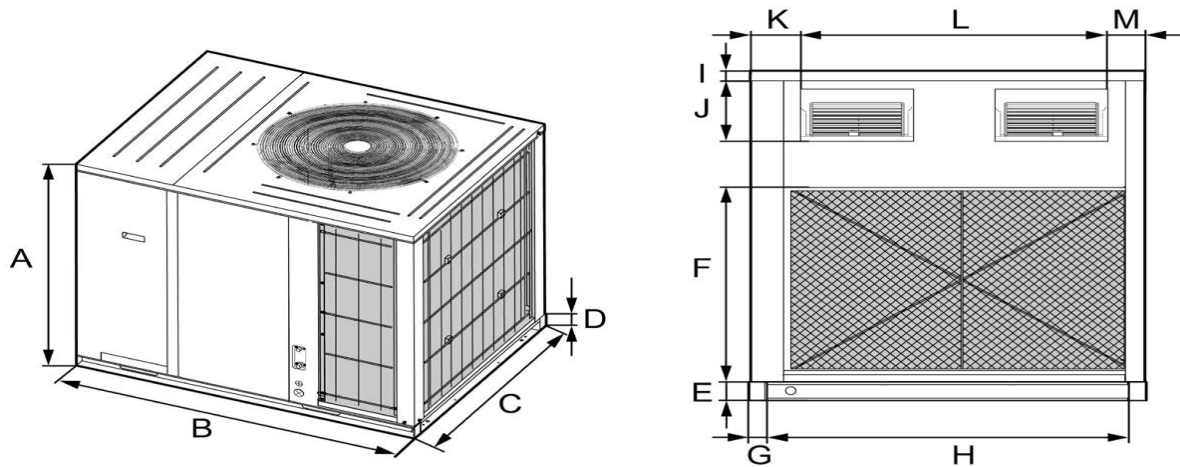
1. Specifications

APRI Series

Inverter Rooftop Package Unit				
Model NO.	APRI		120P7A-RR1035	240P7A-RR2064
Nominal Capacity	Cooling	kW	35.00	63.50
		Btu/h	119400	216700
	Heating	kW	39.00	75.00
		Btu/h	133000	255900
Efficiency	IEER		12	12
Sound Pressure Level (H/M/L)*		dB (A)	72	75
Air Flow Volume		CFM	3414	8829
Rated ESP		Pa	90	150
Power supply		V-Hz-Ph	380-415-50-3	
Power Input	Cooling		13.5	28.5
	Heating		11.5	25.0
Refrigerant	Refrigerant Type		R410A	R410A
	Throttling Method		Electronic expansion valve	
	Charge	kg	10.0	16.0
Evaporator Coil	Face Area	m ²	0.65	1.14
	Number of rows		4	4
	Fins per Inch(FPI)		16	16
Evaporator Fan motor	Quantity		2	2
	Diameter	inch	9.84-9.84	29.528-31.496
	Motor Drive Type		Direct Drive	Belt
	Motor Speed	rpm	1400	1035
Compressor	Type		Inverter Rotary	
	Quantity		1	2
	Oil type		FV50S	FV50S
Condenser Coil	Face Area	m ²	2.34	3.18
	Number of rows		3	3
	Fins per Inch(FPI)		16	16
Condenser Fan motor	Quantity		1	2
	Diameter	inch	29.72-9.69	29.72-9.69
	Motor Drive Type		Direct Drive	
	Motor Speed	rpm	860	800
Drainage Connection Size		Inch	3/4"<NPT>	3/4"<NPT>
Dimension	Outline Inches (mm)	Width	57 (1450)	88 1/2 (2240)
		Depth	44 (1120)	74 (1880)
		Height	47 7/8 (1215)	49 1/2 (1250)
	Package Inches (mm)	Width	57 5/8 (1463)	89 (2258)
		Depth	44 5/8 (1133)	74 3/4 (1898)
		Height	50 (1260)	21 1/2 (1300)
Weight	Net weight	lbs (kg)	770 (350)	1804 (820)
	Gross weight	lbs (kg)	814 (370)	1914 (870)

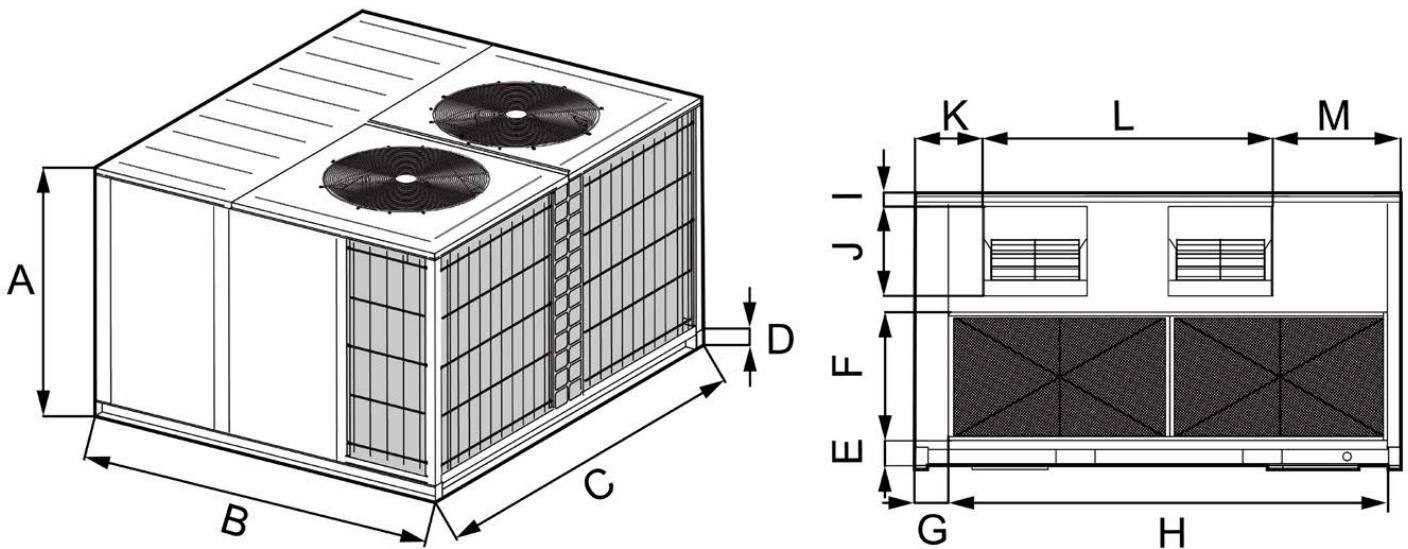
2. Dimensional Drawing

APRI120P7A-RR1035



Dimension (mm)	A	B	C	D	E	F	G	H	I	J	K	L	M
APRI120P7A-RR1035	1215	1450	1120	70	98	686	94	916	70	190	144	866	105

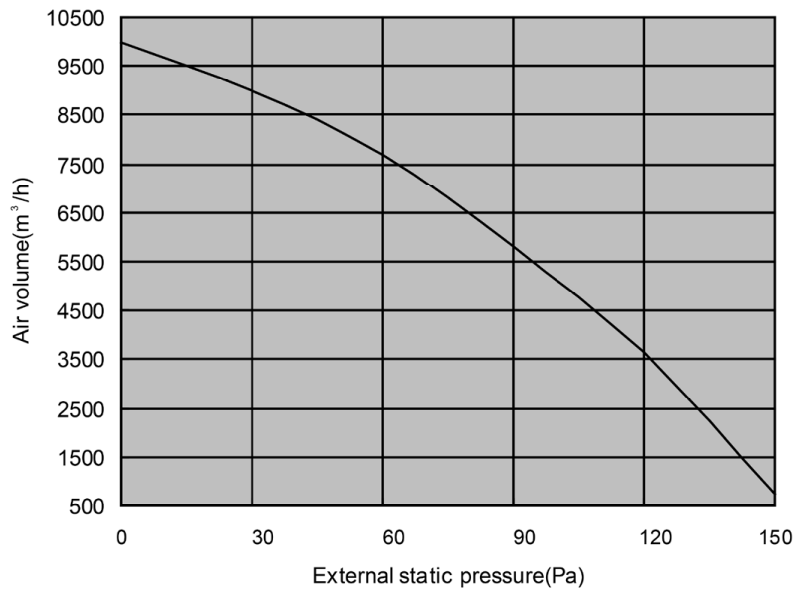
APRI240P7A-RR2064



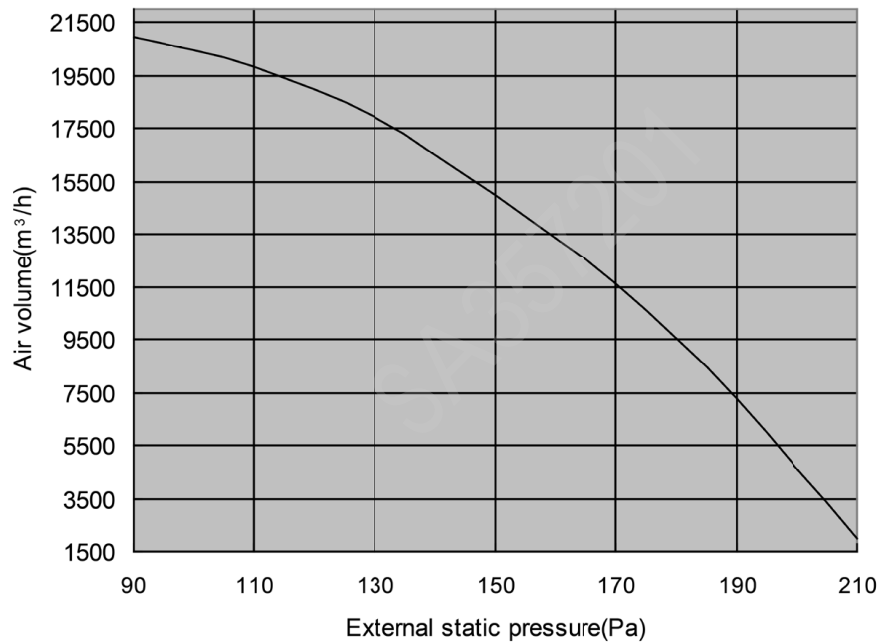
Dimension (mm)	A	B	C	D	E	F	G	H	I	J	K	L	M
APRI240P7A-RR2064	1250	1880	2240	85	115	590	158	2021	45	412	311	1336	588

3. Fan Curves

APRI120P7A-RR1035



APRI240P7A-RR2064



4. Electrical Characteristics

MODEL	Capacity Tons	Efficiency IEER	Power Supply			Compressor		Evap. Fan Motor		Cond. Fan Motor	
			Power	MCA	MOCP	Qty.	IPT (Each)	Qty.	IPT (Each)	Qty.	IPT (Each)
APRI120P7A-RR1035	10	12	380-415/3/50 Hz	23.0	35	1	10.5	1	1.5	1	1.5
APRI240P7A-RR2064	20	12	380-415/3/50 Hz	51.0	70	2	10.8	1	5.5	2	1.5

Abbreviations:

MCA: Minimum Circuit Amps

MOCP: Maximum Overcurrent Protection (Max Fuse Amps)

IPT: Input Power (kW)

OMEGA
ENVIRONMENTAL
TECHNOLOGIES LLC.

17702 Mitchell North, #101
Irvine, CA. 92614 .USA
Tel: 714 795 2830
Fax: 714 966 1646
info@omegavrf.com
www.omegavrf.com

OTEC
AIR CONDITIONING

Showroom & Technology Center

11380 Interchange Circle North
Miramar, FL 33025 .USA
Tel: 305 901 1270
Fax: 954 212 8280
info@otecometa.com
www.otecometa.com