

OMEGA Ducted Fan Coil Inverter Split

SUBMITTAL DATA

220-240V/1/50Hz

Job: _____
 Location: _____
 Schedule No.: _____
 System Designation: _____

Engineer: _____
 Architect: _____
 Date: _____
 For: Reference Approval Review Construction

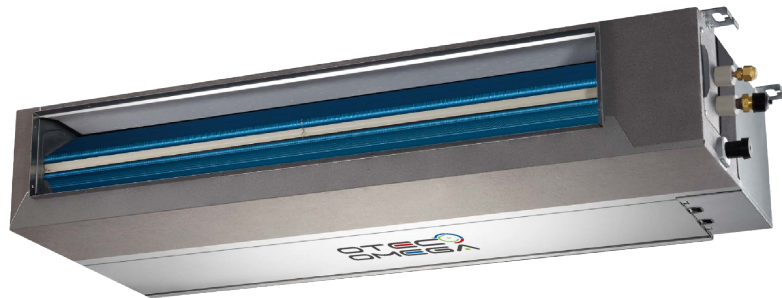
FEATURES

Outdoor

- DC Inverter Rotary Compressor
- Phase Loss & Overcurrent Protection
- Corrosion-Resistant Cabinet
- Super Quiet Operation
- High-Efficiency Coils
- Low-Voltage Startup

Indoor

- Turbo Cooling Function
- Low Temperature Cooling
- Programmable 24 hours On/Off Timer
- Up to 16 SEER in Cooling Mode
- Super Quiet
- Anti-Mildew Dry Technology



1. Specifications

ICHD Outdoor Unit



OUTDOOR UNIT

MODEL NO.	ICHD	009J 0A-DMG026	012J 0A-DMG035	018J 0A-DMG053	024J 0A-DMG071	031J 0A-DMG090	036J 0A-DMG105	042J 0A-DMG120	048J 0A-DMG140	060J 0A-DMG160
Compressor Type		DC Inverter Rotary								
Outdoor Fan	No of Fans	1	1	1	1	1	1	1	1	1
	Noise Level (dbA)	50	50	54	55	55	59	59	59	60
Coil Type:		Grooved Copper Tubes - Aluminum Blue Slit Fin								
Compressor	Rated Amps (RLA)	5.60	5.80	7.85	8.85	11.8	14.5	23.0	27.5	27.1
	Power Input Nom. (W)	649	1159	1602	2115	3060	3109	4559	5809	6600
Electrical	Voltage-Phase-Frequency	220~240V / 1Ph / N/A 3D								
	Range (min-max)	198 ~ 264								
	Min. Circuit Amps (MCA)	8.80	8.80	12.9	17.5	23.0	27.0	27.0	32.0	33.0
	Max Fuse Amps (MOCP)	15	15	20	25	30	30	30	40	40
Refrigerant R410 (oz./kgs.)		28.2 / 0.80	28.2 / 0.80	51.2 / 1.45	56.5 / 1.60	70.6 / 2.00	105.9 / 3.00	105.9 / 3.00	112.9 / 3.20	134.1 / 3.80
Refrigerant Connections inches (mm)	Type	Flare								
	Liquid	1/4 (6.35)	1/4 (6.35)	1/4 (6.35)	1/4 (6.35)	3/8 (9.52)	3/8 (9.52)	3/8 (9.52)	3/8 (9.52)	3/8 (9.52)
	Suction	3/8 (9.52)	3/8 (9.52)	1/2 (12.7)	5/8 (15.9)	5/8 (15.9)	5/8 (15.9)	5/8 (15.9)	5/8 (15.9)	5/8 (15.9)
MAX Pipe Distance Ft.(m)	Height	32.8 (10)	32.8 (10)	49.2 (15)	49.2 (15)	65.6 (20)	65.6 (20)	65.6 (20)	82.0 (25)	82.0 (25)
	Length	49.2 (15)	49.2 (15)	82.0 (25)	82.0 (25)	98.4 (30)	98.4 (30)	98.4 (30)	164.0 (50)	164.0 (50)
Dimensions inches (mm)	Height	21 1/8 (555)	21 1/8 (555)	21 1/8 (555)	28 (712)	28 (712)	33 1/8 (840)	33 1/8 (840)	33 1/8 (840)	34 1/8 (865)
	Width	28 3/8 (722)	28 3/8 (722)	31 1/4 (795)	35 7/8 (910)	35 7/8 (910)	37 3/8 (950)	37 3/8 (950)	37 3/8 (950)	41 (1040)
	Depth	10 1/4 (260)	10 1/4 (260)	11 1/4 (287)	13 5/8 (345)	13 5/8 (345)	14 1/8 (360)	14 1/8 (360)	14 1/8 (360)	16 1/8 (410)
Net Weight	Lbs (kgs)	55.1 (25.0)	56.2 (25.5)	73.9 (33.5)	103.6 (47.0)	112.4 (51.0)	149.9 (68.0)	149.9 (68.0)	173.1 (78.5)	200.6 (91.0)

1. Specifications

IEMP - Ducted Fan Coil Indoor Unit

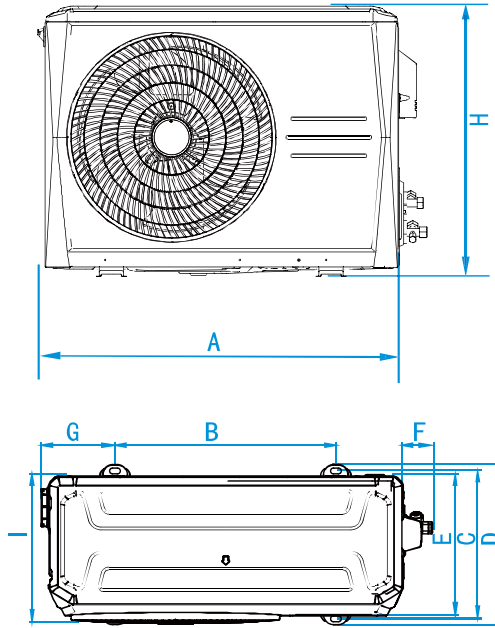


INDOOR UNIT										
MODEL NO.	IEMP	009J 2A-DCG026	012J 2A-DCG035	018J 2A-DCG053	024J 2A-DCG071	031J 2A-DCG090	036J 2A-DCG105	042J 2A-DCG120	048J 2A-DCG140	060J 2A-DCG160
Cooling Capacity BTU/h (kW)	Nominal	9,000 (2.60)	12,000 (3.50)	18,000 (5.30)	24,000 (7.10)	31,000 (9.00)	36,000 (10.5)	42,000 (12.0)	48,000 (14.0)	60,000 (16.0)
	Minimum	2,390 (0.70)	2,560 (0.75)	3,755 (1.10)	8,190 (2.40)	9,210 (2.70)	10,235 (3.00)	10,235 (3.00)	14,330 (4.20)	15,115 (4.43)
	Maximum	11,940 (3.50)	12,625 (3.70)	20,130 (5.90)	27,980 (8.20)	32,755 (9.60)	38,215 (11.2)	40,945 (12.0)	47,085 (13.8)	52,885 (15.5)
Efficiency	SEER	16.0 (4.69)								
Refrigerant Control		Electronic Expansion Valve @ Outdoor Unit								
Fan	Type	Coaxial Turbo Fan								
	Speed / QTY	3 / 1	3 / 1	3 / 1	3 / 1	3 / 1	3 / 1	3 / 1	3 / 1	3 / 1
	Air Flow CFM (m³/hr) - Hi	280 (480)	325 (550)	440 (750)	590 (1000)	880 (1500)	880 (1500)	880 (1500)	880 (1500)	1180 (2000)
	Noise Level (dbA) Lo/Hi	23 / 33	25 / 34	28 / 37	29 / 38	36 / 45	36 / 45	36 / 45	36 / 46	36 / 46
Coil Type:		Grooved Copper Tubes - Aluminum Blue Slit Fin								
Air Filter		Cleanable Cartridge Type								
Electrical	Voltage-Phase-Frequency	220~240V / 1Ph / 60Hz								
	Range (min-max)	198 ~ 264								
	FLA	0.42	0.42	0.45	0.57	1.28	1.28	1.28	1.28	1.55
Controls		Wired Remote Control								
Refrigerant Connections inches (mm)		See Outdoor Unit Data								
Drain Connections inches (mm)		1 (25)								
Body Dimensions in (mm)	Height	8 1/4 (210)	8 1/4 (210)	8 1/4 (210)	8 1/4 (210)	10 5/8 (270)	10 5/8 (270)	10 5/8 (270)	10 5/8 (270)	11 3/4 (300)
	Width	27 1/2 (700)	27 1/2 (700)	36 1/4 (920)	44 7/8 (1140)	44 7/8 (1140)	44 7/8 (1140)	44 7/8 (1140)	44 7/8 (1140)	55 1/8 (1400)
	Depth	17 3/4 (450)	17 3/4 (450)	17 3/4 (450)	17 3/4 (450)	28 (710)	28 (710)	28 (710)	28 (710)	36 3/8 (925)
Body Net Weight Lbs (kgs)		36.4 (16.5)	36.4 (16.5)	45.2 (20.5)	55.1 (25.0)	81.6 (37.0)	86.0 (39.0)	86.0 (39.0)	86.0 (39.0)	102.5 (46.5)

2. Dimensional Drawings

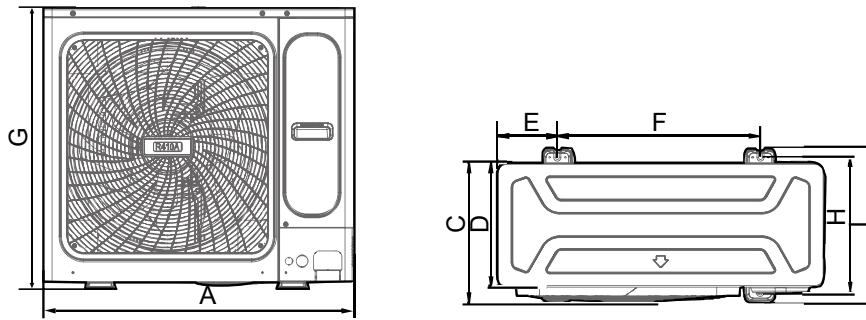
Unit:mm

ICHD009J0A-DMG026 / ICHD012J0A-DMG035 / ICHD018J0A-DMG053 / ICHD024J0A-DMG071



Model	A	B	C	D	E	F	G	H	I
26	722	453	302	327	260	50	135	555	300
35/53	795	514	340	365	287	50	125	555	330
71	910	663	403	427	345	55	120	712	390

ICHD031J0A-DMG090 / ICHD036J0A-DMG105 / ICHD042J0A-DMG120 / ICHD048J0A-DMG140 / ICHD060J0A-DMG160



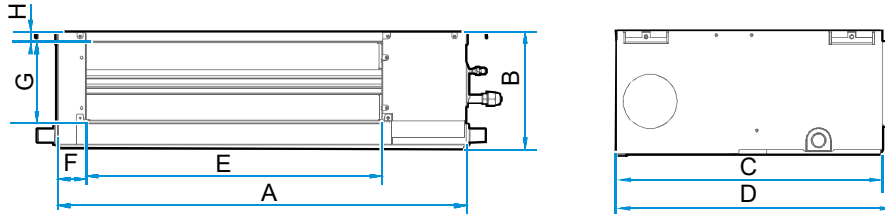
Model	A	C	D	E	F	G	H	I
90	910	390	345	120	663	712	403	427
105/120/140	950	406	360	175	590	840	390	440
160	1040	452	410	191	656	865	463	523

2. Dimensional Drawings

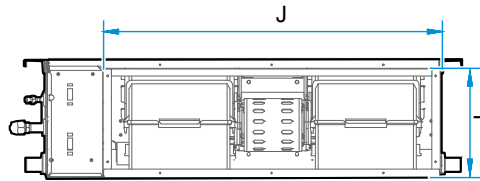
2.1 Indoor Unit

Unit:mm

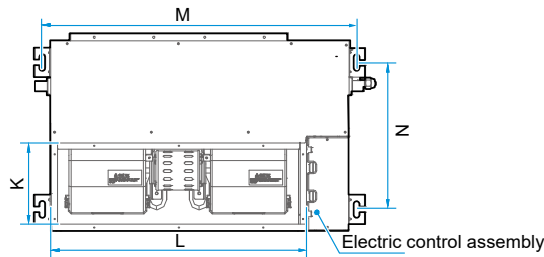
External dimensions and size of air outlet duct



Size of return air inlet (back return air mode)



Size of return air inlet (bottom return air mode), and the distance between the lugs



Model		IEMP009(012)J38-DCG026	IEMP018J38-DCG053	IEMP024J38-DCG071	IEMP031(36,42,48)J38-DCG090(105,120,140)	IEMP060J38-DCG160
External Dimension	A	700	920	1140	1140	1200
	B	210	210	210	270	300
	C	450	450	450	710	800
	D	470	470	470	775	865
Size of Air Outlet	E	512	732	952	933	969
	F	45	45	45	65	85
	G	145	145	145	179	204
	H	17	17	17	35	40
Size of Return Air Inlet	I	180	177	177	260	288
	J	600	820	1040	1035	1094
	K	175	180	180	256	285
	L	570	790	1010	/	/
Spacing Between Lugs	M	740	960	1180	1180	1240
	N	350	350	350	490	500

2. Electric Characteristics

Model name	Power supply						Indoor fan motors	
	Hz	Volts	Min. volts	Max. volts	MCA	MFA	Rated motor output (kW)	FLA
IEMP009J3A	50	220-240	198	264	0.525	16	0.027	0.42
IEMP012J3A	50	220-240	198	264	0.525	16	0.027	0.42
IEMP018J3A	50	220-240	198	264	0.563	25	0.036	0.45
IEMP024J3A	50	220-240	198	264	0.713	32	0.061	0.57
IEMP031J3A	50	220-240	198	264	1.6	6	0.14	1.28
IEMP036J3A	50	220-240	198	264	1.6	6	0.14	1.28
IEMP042J3A	50	220-240	198	264	1.6	6	0.14	1.28
IEMP048J3A	50	220-240	198	264	1.6	6	0.14	1.28
IEMP060J3A	50	220-240	198	264	1.9375	6	0.18	1.55

Abbreviations:

MCA: Minimum Circuit Amps MFA: Maximum Fuse Amps FLA: Full Load Amps

3. Electric Characteristics

Model	Power Supply ¹							Compressor		OFM		
	Capacity	Hz	Volts	Min.volts	Max.volts	MCA ²	TOCA ³	MFA ⁴	MSC ⁵	RLA ⁶	kW	FLA
ICH009-DMG026		50	220-240	198	264	8.8	10	16	/	5.6	0.02	0.6
ICH012-DMG035		50	220-240	198	264	8.8	10	16	/	5.8	0.02	0.6
ICH018-DMG053		50	220-240	198	264	12.9	14.5	20	/	7.85	0.05	0.71
ICH024-DMG071		50	220-240	198	264	17.5	20	25	/	8.85	0.08	1.0
ICH031-DMG090		50	220-240	198	264	23	25	32	/	11.8	0.08	1.0
ICH036-DMG105		50	220-240	198	264	27	28.5	32	/	14.5	0.17	1.53
ICH042-DMG120		50	220-240	198	264	27	28.5	32	/	23	0.17	1.53
ICH048-DMG140		50	220-240	198	264	32	35.2	40	/	27.5	0.17	1.53
ICH060-DMG160		50	220-240	198	264	33	35	40	/	27.1	0.17	1.53

Abbreviations:

MCA: Minimum Circuit Amps; TOCA: Total Over-current Amps; MFA: Maximum Fuse Amps; MSC: Maximum Starting Current (A); RLA: Rated Load Amps; FLA: Full Load Amps

Notes:

- Units are suitable for use on electrical systems where voltage supplied to unit terminals is not below or above listed range limits. Maximum allowable voltage variation between phases is 2%.
- Select wire size based on the value of MCA.
TOCA indicates the total overcurrent amps value of each OC set.
MFA is used to select overcurrent circuit breakers and residual-current circuit breakers.
MSC indicates the maximum current on compressor start-up in amps.
RLA is based on the following conditions: indoor temperature 27°C DB, 19°C WB; outdoor temperature 35°C DB.