

OMEGA Floor Ceiling Fixed Speed Split

SUBMITTAL DATA

208-230V/1/60Hz

Job: _____
 Location: _____
 Schedule No.: _____
 System Designation: _____

Engineer: _____
 Architect: _____
 Date: _____
 For: Reference Approval Review Construction

FEATURES

Outdoor

- Copper Tubes/ AL Fins Condenser
- Compressor Overload Protection
- High / Low Pressure Protection
- Super Quiet Operation
- Over Current Protection
- Discharge High Temperature Protection

Indoor

- Flexible Installation
- Auto-Swing Function
- Auto-Restart
- Washable Air Filter
- Self-Diagnostic
- Quiet Centrifugal Blower



1. Specifications

SEFC - Floor Ceiling Indoor Unit

Model (Floor Ceiling Indoor Unit)			SEFC224S2A-GWC070	SEFC236S2A-GWC105	SEFC260S2A-GWC160
Power supply		V-Ph-Hz	220V-1Ph-60Hz	220V-1Ph-60Hz	220V-1Ph-60Hz
Cooling	Capacity	Btu/h	24000	36000	60000
	Capacity	W	7032	10548	17580
	Input	W	2912	4013	7200
	Rated current	A	11.12	17.5	34.85
	Input(indoor unit)	W	420	240	420
	Rated current(indoor unit)	A	1.9	1.09	1.9
	EER	Btu/h.W	8.24	8.97	8.33
	EER	W/W	2.41	2.63	2.44
MCA		A	2.30	1.30	2.30
MOP		A	3.00	3.00	3.00
Operation Control		\	Remote controller	Remote controller	Remote controller
Indoor coil	Number of rows		3	3	3
	Tube pitch(a)xrow pitch(b)	mm	21x13.37	21x13.37	21x13.37
	Fin spacing	mm	1.4	1.4	1.4
	Fin type		Hydrophilic	Hydrophilic	Hydrophilic
	Tube outside dia. and type	mm	7	7	7
			Inner grooved	Inner grooved	Inner grooved
	Coil length x height x width	mm	680x252x40.11	948x252x40.11	1318x252x70
Number of circuits			4	4	5
Indoor air flow(High speed)		m ³ /h	1200	2400	2100
Indoor noise level		dB(A)	48-52	51-57	55
Indoor unit	Dimension(W*H*D)	Body(mm)	1050x235x675	1250x235x675	1670x235x675
	Packing(W*H*D)	Body(mm)	1130x325x765	1380x325x765	1750x325x770
	Net/Gross weight	Body(Kg)	26.5/31	32/37	40/46
Indoor fan motor	Brand		Kaibang	Weiling	Kaibang
	Model		YSK110-59LD-4P17	YSK110-180LD-4P2	YSK110-59LD-4P17
	Input	W	135	360	135*2
	Output	W	70	180	70*2
	Capacitor	uF	3	5	3*2
Speed(hi/mi/lo)		r/min	1310/1139/1060	1330/1230/1130	1310/1139/1060
Refrigerant piping	Liquid side/ Gas side	mm	Φ9.52/Φ15.88	Φ9.52/Φ19.05	Φ9.52/Φ19.05
	Max. Pipe length	m	20	20	20
	Max. Fall	m	10	10	10
Connection wiring	Power wiring	mm ²	3x1.0	3x1.0	3x1.0
Operation temp		°C	16-32	16-32	16-32
Draining pipe dimension		mm	Φ25	Φ25	Φ25

1. Specifications

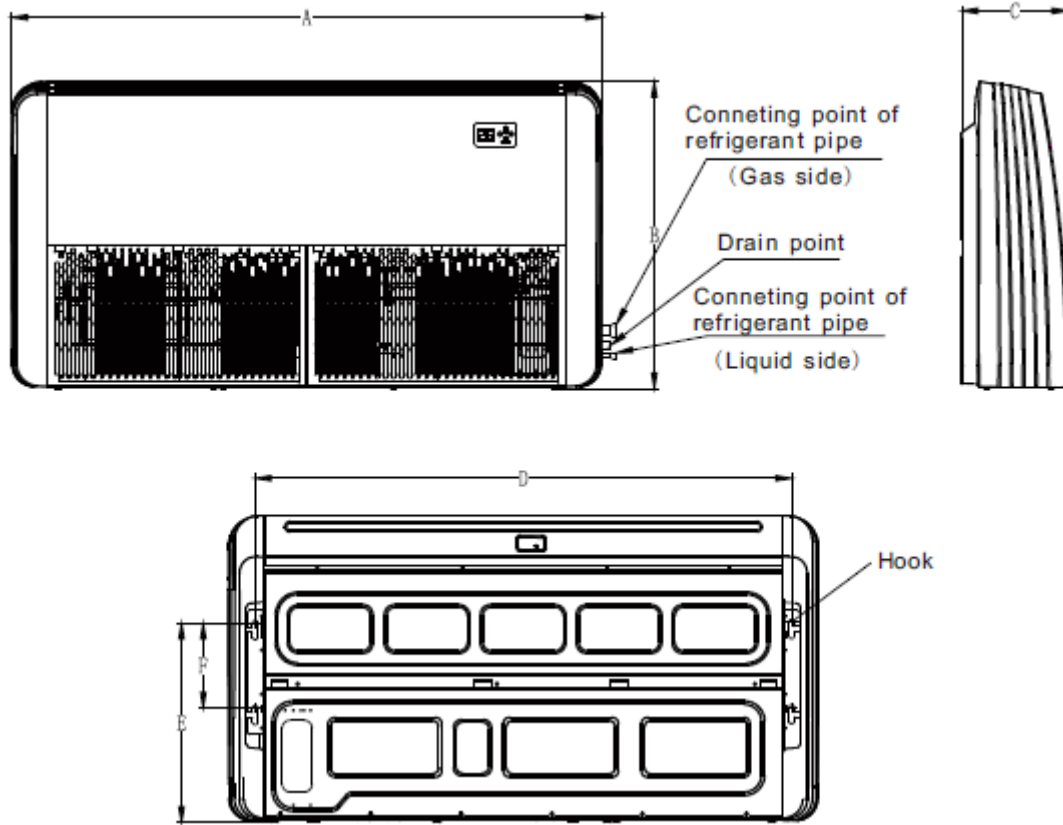
SCVC- Outdoor Unit

Model (Top Discharge Condensing Unit)		SCVC224S2A-GTC070	SCVC236S2A-GLC105	SCVC248S2A-GLC140	SCVC260S2A-GLC160	
Power supply	V-Hz -Ph	208-230V/1Ph/60Hz	208-230V/1Ph/60Hz	208-230V/1Ph/60Hz	208-230V/1Ph/60Hz	
Max. input consumption	W	2620	3600	6125	6900	
Max. current	A	13.2	23	30.93	34.85	
MCA	A	16.5	28.5	38.5	43.5	
MOP	A	30	50	60	70	
Compressor	Model	PA240M2A-3MTU2	GVS295KAA	ABT042KTA	ABT054KAA	
	Type	Rotary	Rotary	Scroll	Scroll	
	Brand	GMCC	LG	LG	LG	
	Qty	1	1	1	1	
	Capacity	W	7220	8397	12368	15815
	Input	W	2475	2933	3980	4820
	Rated current(RLA)	A	11.75	13.6	17.5	21.5
	LRA	A	60	66.5	120	120
	Thermal protector		Inner	Inner	Inner	Inner
	Refrigerant oil	ml	440	540	1360	1360
Refrigerant		R410a	R410a	R410a	R410a	
Outdoor fan motor	Model	YDK-160-6P2	YDK-160-6P2	YDK-230-6P2	YDK-230-6P2	
	Brand	Lvzhi	Lvzhi	Lvzhi	Lvzhi	
	Drive	type	AC	AC	AC	AC
	Qty		1.00	1.00	1.00	1.00
	Input	W	244	244	331	331
	Capacitor	uF	6μF/450V	6μF/450V	12μF/450V	12μF/450V
	Speed	r/min	1100	1100	1095	1095
Outdoor coil	Number of rows		1	1	1	
	Tube pitch(a)x row pitch(b)	mm	21x13.37	21x13.37	21x13.37	21x13.37
	Fin spacing	mm	1.4	1.4	1.4	1.4
	Fin type		Unhydrophilic aluminum	Unhydrophilic aluminum	Unhydrophilic aluminum	Unhydrophilic aluminum
	Coil length x height x width	mm	1428x588x13.37	1428x588x13.37	2150x798x13.37	2150x798x13.37
	Number of circuits		2	2	5	5
Tube O.D and type	mm		7.00	7.00	7.00	7.00
			Inner groove tube	Inner groove tube	Inner groove tube	Inner groove tube
Outdoor noise level	dB(A)	65	65	63	65	
Dimension	Bady (WxDxH)	mm	554x554x633	554x554x633	740x740x835	740x740x835
	Packing (WxDxH)	mm	575x575x660	575x575x660	760x760x875	760x760x875
Net/Gross weight	kg	46/49	46.5/49.5	92/96	74.5/79	
Refrigerant charge	g	R410A/1200	R410A/1650	R410A/2000	R410A/2100	
Throttle type		Indoor Piston	Indoor Piston	Indoor Piston	Indoor Piston	
Design pressure (high side/low side)	MPa	3.6/0.98	4.0/1.2	4.0/1.2	4.0/1.2	
Refrigerant piping	Liquid side/ Gas side	mm	Φ9.52/Φ15.88	Φ9.52/Φ19.05	Φ9.52/Φ19.05	Φ9.52/Φ19.05
	Max. refrigerant pipe length	m	20	20	20	20
	Max. difference between outdoor unit and indoor unit	m	10	10	10	10
Connection wiring	Power wiring	mm ²	3x2.5	3x4.0	3x5.0	3x6.0
	Signal wiring	mm ²	2x0.75	2x0.75	4x0.75	4x0.75
Ambient temp	°C	16~43	16~43	16~43	21~43	

2. Dimensional Drawings

SEFC - Floor Ceiling Indoor Unit

SEFC224(36,48,60)S2A-GWC070(105,140,160)



Model (kBtu/h)	A(mm)	B(mm)	C(mm)	D(mm)	E(mm)	F(mm)
24	1050	675	235	933	440	188
36	1300	675	235	1185	440	188
48-60	1670	675	235	1553	440	188

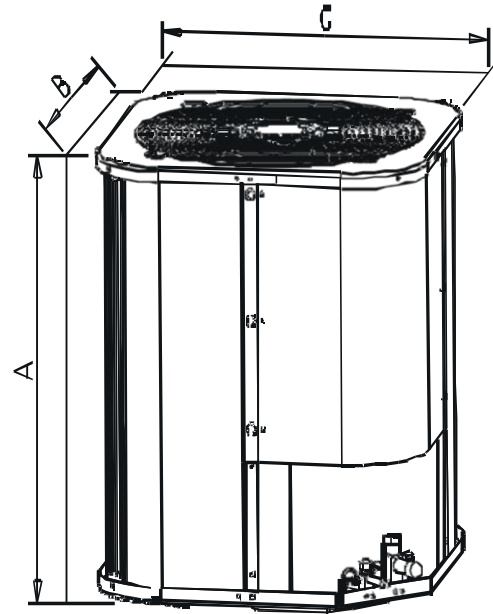
2. Dimensional Drawings

SCVC - Outdoor Unit

Unit:mm

Applicable for 18-60 series

Unit Model	Dimensions(mm)			Refrigerant Connection Line Size(mm)		
	A	B	C	Liquid(φ)		Vapor(φ)
				LF	RF	
24	633	554	554	9.52		15.88
36	633	554	554	9.52	12.7	19.05
	633	740	740			
	835	554	554			
48	835	740	740	9.52	12.7	19.05
60	835	740	740	9.52	12.7	19.05



3. Electrical Characteristics

Electrical Data - SCVC & SEFC

Floor Ceiling - SEFC

Model	Power Supply ¹					
	Hz	Volts	Min.	Max.	FLA	MOCP
			volts	volts		
SEFC224S2A-GWC070	60Hz	208-230	187	253	1.9	5
SEFC236S2A-GWC105	60Hz	208-230	187	253	1.09	5
SEFC260S2A-GWC160	60Hz	208-230	187	253	1.9	5

Outdoor Unit - SCVC

Model	Power Supply ¹						Compressor
	Hz	Volts	Min.	Max.	MCA	MOCP	RLA
			volts	volts			
SCVC224S2A-GTC070	60Hz	208-230	187	253	15.8	25	11.75
SCVC236S2A-GLC105	60Hz	208-230	187	253	18.2	30	13.6
SCVC248S2A-GLC140	60Hz	208-230	187	253	23.0	40	17.5
SCVC260S2A-GLC160	60Hz	208-230	187	253	29.0	50	21.5
SCVC248S4A-GHC105	60Hz	208-230	187	253	20.5	35	15.5
SCVC260S4A-GCC160	60Hz	208-230	187	253	21.0	35	15.1

Abbreviations:

MCA: Minimum Circuit Amps; MOCP: Maximum Fuse Amps; RLA: Rated Load Amps; FLA: Full Load Amps