

OMEGA Compact Four-Way Cassette

SUBMITTAL DATA

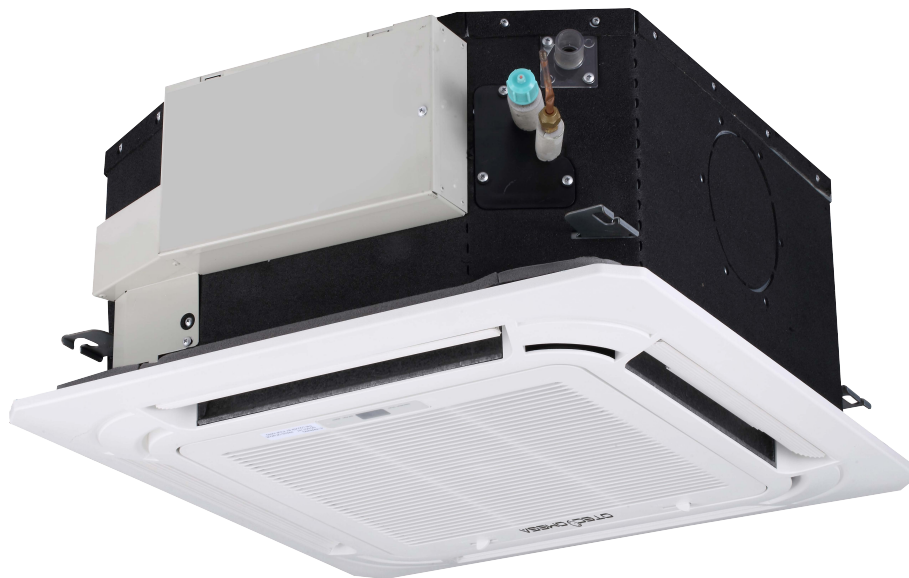
220-240V/1/50-60Hz

Job: _____
Location: _____
Schedule No.: _____
System Designation: _____

Engineer: _____
Architect: _____
Date: _____
For: Reference Approval Review Construction

FEATURES

- Build in Drain Pump
- Washable Filter
- Auto Restart
- High-Efficiency DC Motor
- Water Overflow Protection
- 4 Way Air Flow



1. Specifications

- VECM010Q0A-DWV028 & VECM012Q0A-DWV036

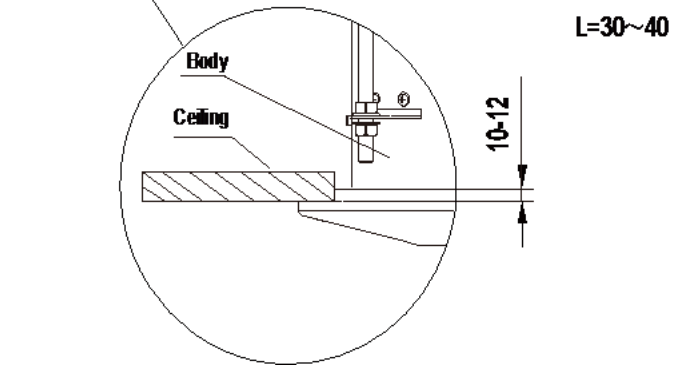
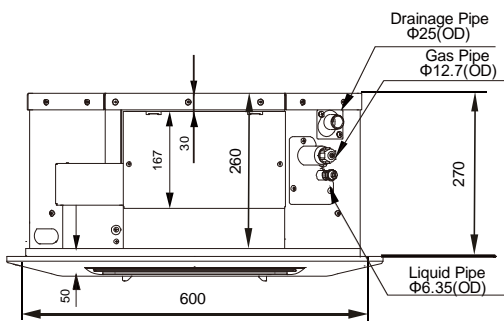
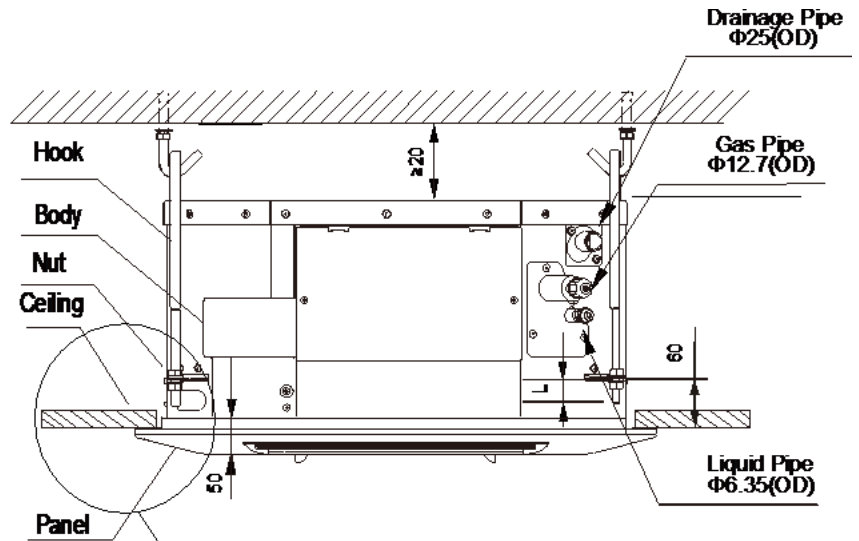
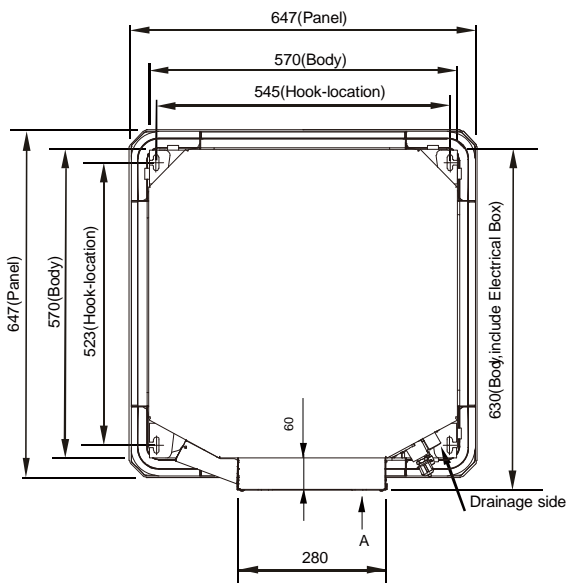
Model			VECM008Q0A-DWV022	VECM010Q0A-DWV028	VECM012Q0A-DWV036	VECM015Q0A-DWV045
Power supply			1-phase, 220-240V, 50/60Hz			
Cooling ¹	Capacity	kW	2.2	2.8	3.6	4.5
		kBtu/h	7.5	9.6	12.3	15.4
	Power input	W	35	35	40	50
Heating ²	Capacity	kW	2.4	3.2	4.0	5.0
		kBtu/h	8.2	10.9	13.6	17.1
	Power input	W	35	35	40	50
Fan motor type			DC			
Indoor coil	Number of rows		1		2	
	Tube pitch × row pitch	mm	21×13.37		21×13.37	
	Fin spacing	mm	1.3		1.3	
	Fin type		Hydrophilic aluminum			
	Tube OD and type	mm	Φ7 Inner-groove			
	Dimensions (L×H×W)	mm	1310×210×13.37		1310×210×26.74	
	Number of circuits		2		4	
Air flow rate ³		m ³ /h	414/380/345/313/288/268/238		521/485/450/409/380/350/314	
Sound pressure level ⁴		dB(A)	35/34/33/29/26/23/22		41/38/35/32/30/29/28	
Main body	Net dimensions ⁵ (W×H×D)	mm	630×260×570			
	Packed dimensions (W×H×D)	mm	700×345×660			
	Net/Gross weight	kg	18/23.8		19.2/25.0	
Panel	Net dimensions (W×H×D)	mm	647×50×647			
	Packed dimensions (W×H×D)	mm	715×123×715			
	Net/Gross weight	kg	2.5/4.5			
Refrigerant type			R410A			
Design pressure (H/L)		MPa	4.4/2.6			
Pipe connections	Liquid/Gas pipe	mm	Φ6.35/Φ12.7			
	Drain pipe	mm	OD Φ25			

Notes:

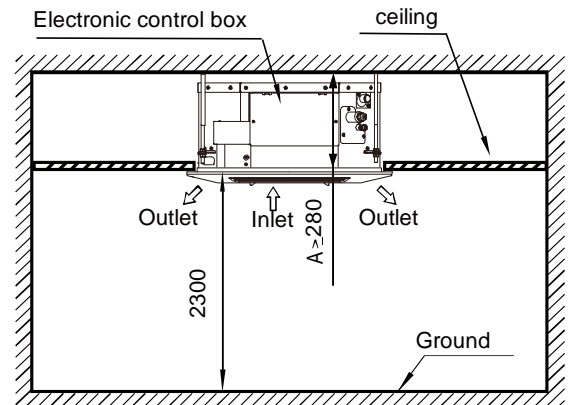
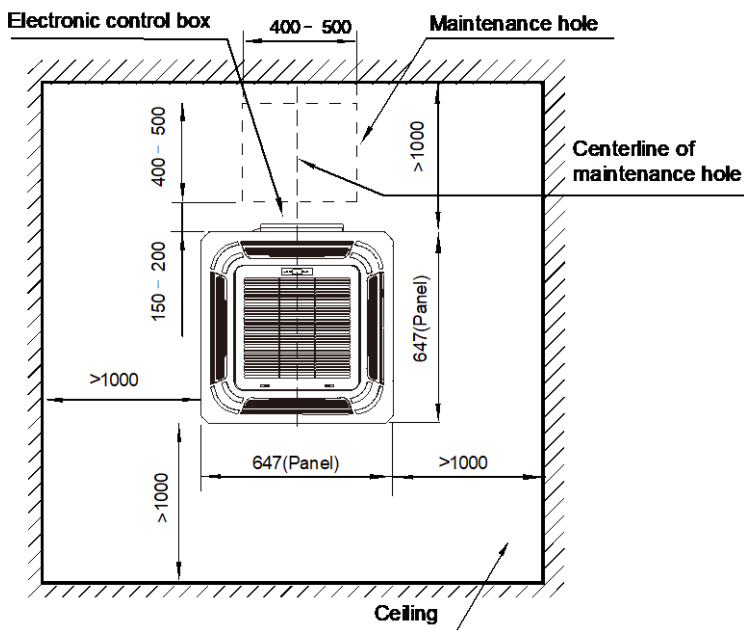
1. Indoor temperature 27°C DB, 19°C WB; outdoor temperature 35°C DB; equivalent refrigerant piping length 7.5m with zero level difference.
2. Indoor temperature 20°C DB; outdoor temperature 7°C DB, 6°C WB; equivalent refrigerant piping length 7.5m with zero level difference.
3. Air flow rate are from the highest speed to the lowest speed, total 7 rates for each model.
4. Sound pressure level is from highest level to lowest level, total 7 levels for each model. Sound pressure level is measured 1.4m below the unit in a semi-anechoic chamber.
5. Unit body dimensions given are the largest external dimensions of the unit, including hanger attachments.

2-DIMENSIONAL DRAWINGS - (MM)

- VECM From 7.6Kbtu to 15.4Kbtu



Compact Four-way Cassette space requirements (unit: mm)



3-Electrical Characteristics

Table 3.1: Compact Four-way Cassette electrical characteristics

Model name	Power supply						Indoor fan motors	
	Hz	Volts	Min. volts	Max. volts	MCA	MFA	Rated motor output (kW)	FLA
VECM008Q0A-DWV022	50/60	220-240	198	264	0.43	15	0.037	0.344
VECM010Q0A-DWV028	50/60	220-240	198	264	0.43	15	0.037	0.344
VECM012Q0A-DWV036	50/60	220-240	198	264	0.48	15	0.037	0.344
VECM015Q0A-DWV045	50/60	220-240	198	264	0.48	15	0.037	0.384

Abbreviations:

MCA: Minimum Circuit Amps

MFA: Maximum Fuse Amps

FLA: Full Load Amps