

OMEGA Air Handler Fixed Speed Split

SUBMITTAL DATA

208-230V/1/60Hz

Job: _____
 Location: _____
 Schedule No.: _____
 System Designation: _____

Engineer: _____
 Architect: _____
 Date: _____
 For: Reference Approval Review Construction

FEATURES

Outdoor

- Copper Tubes/ AL Fins Condenser
- Compressor Overload Protection
- High / Low Pressure Protection
- Super Quiet Operation
- Over Current Protection
- Discharge High Temperature Protection

Indoor

- Durable Non Corrosive Plastic Drain Pan
- Multi-Positions installation
- Piston Expansion Device
- Galvanized Steel Cabinet
- Primary and Secondary Drainage Design
- Durable Non Corrosive Plastic Drain Pan



1. Specifications

SEUA - Air Handler Indoor Unit

Model			SEUA236S2A-GCC105	SEUA260S2A-GCC160
Power supply		V/Ph/Hz	208V~230V/1Ph/60Hz	208V~230V/1Ph/60Hz
Cooling	Capacity	Btu/h	36000	60000
	Capacity	W	10500	16000
	Input	W	4232	6752
	Rated current	A	19.43	31.00
	EER	Btu/h.W	8.51	8.89
	SEER	Btu/h.W	10.30	10.02
External static pressure		Pa	37	50
Max. input consumption (indoor unit)		W	290	517
MCA		A	1.50	3.00
MOP		A	3.00	6.00
Indoor coil	Number of row		2	3
	Fin spacing	mm	1.5	1.5
	Fin material		Hydrophilic Aluminium Fin	Hydrophilic Aluminium Fin
	Tube outside diameter	mm	Φ7	Φ7
	Tube material		Inner Screw	Inner Screw
	Coil length x height x width	mm	336X26.74X413 (X2)	378X40X443 (X2)
	Number of circuit		4	6
Indoor fan motor	Model		YDK130-6X	YDK250-6X-2
	Brand		kangbao	Weiling
	Input	W	240	404
	Output	W	130	250
	Capacitor	μF	6	12
	Speed (Hi/Lo)	rpm	910/780	800/730
Indoor air flow		m ³ /h	1700	2500
Indoor noise level		dB(A)	51-56	51~57
Indoor dimension	Unit (WxHxD)	mm	460×774×520	500×970×550
	Packing (WxHxD)	mm	520×834×565	560×1030×595
Indoor weight	Net	kg	37	45
	Gross	kg	39	48
Throttle type			Piston	Piston
Power wiring		mm ²	3×1.0	3×1.0
Ambient temperature range		°C	18~43	18~43

1. Specifications

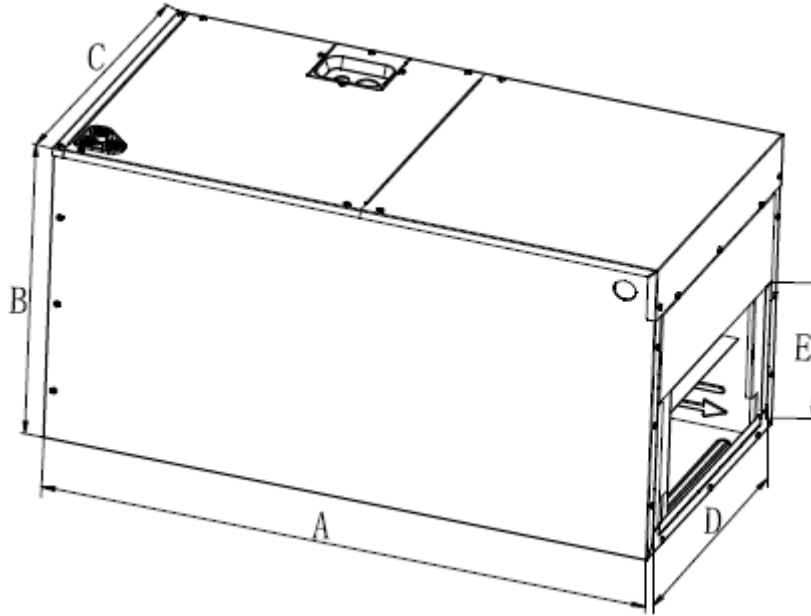
SCVC- Outdoor Unit

Model (Top Discharge Condensing Unit)		SCVC224S2A-GTC070	SCVC236S2A-GLC105	SCVC248S2A-GLC140	SCVC260S2A-GLC160	
Power supply	V-Hz -Ph	208-230V/1Ph/60Hz	208-230V/1Ph/60Hz	208-230V/1Ph/60Hz	208-230V/1Ph/60Hz	
Max. input consumption	W	2620	3600	6125	6900	
Max. current	A	13.2	23	30.93	34.85	
MCA	A	16.5	28.5	38.5	43.5	
MOP	A	30	50	60	70	
Compressor	Model	PA240M2A-3MTU2	GVS295KAA	ABT042KTA	ABT054KAA	
	Type	Rotary	Rotary	Scroll	Scroll	
	Brand	GMCC	LG	LG	LG	
	Qty	1	1	1	1	
	Capacity	W	7220	8397	12368	15815
	Input	W	2475	2933	3980	4820
	Rated current(RLA)	A	11.75	13.6	17.5	21.5
	LRA	A	60	66.5	120	120
	Thermal protector		Inner	Inner	Inner	Inner
	Refrigerant oil	ml	440	540	1360	1360
Refrigerant		R410a	R410a	R410a	R410a	
Outdoor fan motor	Model	YDK-160-6P2	YDK-160-6P2	YDK-230-6P2	YDK-230-6P2	
	Brand	Lvzhi	Lvzhi	Lvzhi	Lvzhi	
	Drive	type	AC	AC	AC	AC
	Qty		1.00	1.00	1.00	1.00
	Input	W	244	244	331	331
	Capacitor	uF	6μF/450V	6μF/450V	12μF/450V	12μF/450V
	Speed	r/min	1100	1100	1095	1095
Outdoor coil	Number of rows		1	1	1	
	Tube pitch(a)x row pitch(b)	mm	21x13.37	21x13.37	21x13.37	21x13.37
	Fin spacing	mm	1.4	1.4	1.4	1.4
	Fin type		Unhydrophilic aluminum	Unhydrophilic aluminum	Unhydrophilic aluminum	Unhydrophilic aluminum
	Coil length x height x width	mm	1428x588x13.37	1428x588x13.37	2150x798x13.37	2150x798x13.37
	Number of circuits		2	2	5	5
Tube O.D and type	mm		7.00	7.00	7.00	7.00
			Inner groove tube	Inner groove tube	Inner groove tube	Inner groove tube
Outdoor noise level	dB(A)	65	65	63	65	
Dimension	Bady (WxDxH)	mm	554x554x633	554x554x633	740x740x835	740x740x835
	Packing (WxDxH)	mm	575x575x660	575x575x660	760x760x875	760x760x875
Net/Gross weight	kg	46/49	46.5/49.5	92/96	74.5/79	
Refrigerant charge	g	R410A/1200	R410A/1650	R410A/2000	R410A/2100	
Throttle type		Indoor Piston	Indoor Piston	Indoor Piston	Indoor Piston	
Design pressure (high side/low side)	MPa	3.6/0.98	4.0/1.2	4.0/1.2	4.0/1.2	
Refrigerant piping	Liquid side/ Gas side	mm	Φ9.52/Φ15.88	Φ9.52/Φ19.05	Φ9.52/Φ19.05	Φ9.52/Φ19.05
	Max. refrigerant pipe length	m	20	20	20	20
	Max. difference between outdoor unit and indoor unit	m	10	10	10	10
Connection wiring	Power wiring	mm ²	3x2.5	3x4.0	3x5.0	3x6.0
	Signal wiring	mm ²	2x0.75	2x0.75	4x0.75	4x0.75
Ambient temp	°C	16~43	16~43	16~43	21~43	

2. Dimensional Drawings

SEUA- Air Handler Indoor Unit

SEUA236(60)S2A-GCC105(160)



MODEL	Dimensions(mm)				
	A(Height)	B(Depth)	C(Width)	D	E
36	774	520	460	414	245
60	970 (1160)	550	500	454	266

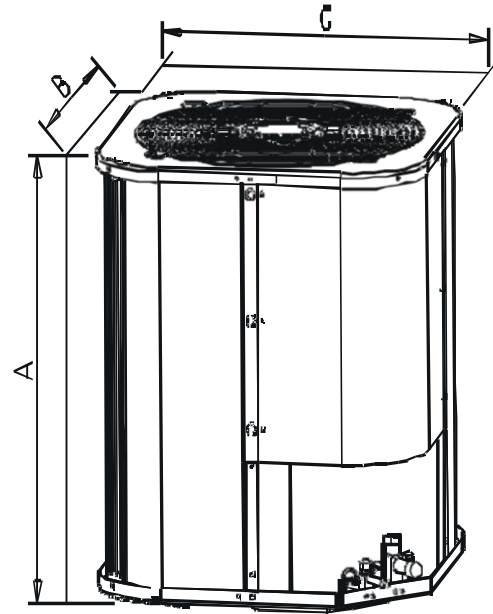
2. Dimensional Drawings

SCVC - Outdoor Unit

Unit:mm

Applicable for 18-60 series

Unit Model	Dimensions(mm)			Refrigerant Connection Line Size(mm)		
	A	B	C	Liquid(φ)		Vapor(φ)
				LF	RF	
24	633	554	554	9.52		15.88
36	633	554	554	9.52	12.7	19.05
	633	740	740			
	835	554	554			
48	835	740	740	9.52	12.7	19.05
60	835	740	740	9.52	12.7	19.05



3. Electrical Characteristics

Electrical Data - SCVC & SEUA

Air Handler - SEUA

Model	Power Supply ¹					
	Hz	Volts	Min.	Max.	FLA	MOCP
			volts	volts		
SEUA236S2A-GCC105	60Hz	208-230	187	253	1.16	5
SEUA260S2A-GCC160	60Hz	208-230	187	253	2.14	5

Outdoor Unit - SCVC

Model	Power Supply ¹						Compressor
	Hz	Volts	Min.	Max.	MCA	MOCP	RLA
			volts	volts			
SCVC224S2A-GTC070	60Hz	208-230	187	253	15.8	25	11.75
SCVC236S2A-GLC105	60Hz	208-230	187	253	18.2	30	13.6
SCVC248S2A-GLC140	60Hz	208-230	187	253	23.0	40	17.5
SCVC260S2A-GLC160	60Hz	208-230	187	253	29.0	50	21.5
SCVC248S4A-GHC105	60Hz	208-230	187	253	20.5	35	15.5
SCVC260S4A-GCC160	60Hz	208-230	187	253	21.0	35	15.1

Abbreviations:

MCA: Minimum Circuit Amps; MOCP: Maximum Fuse Amps; RLA: Rated Load Amps; FLA: Full Load Amps