

# IEWV/ICHV Series High Wall Inverter Technical Manual

**220-240V/1/50Hz**

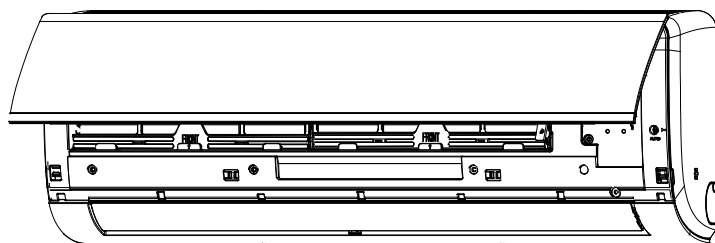


# CONTENT

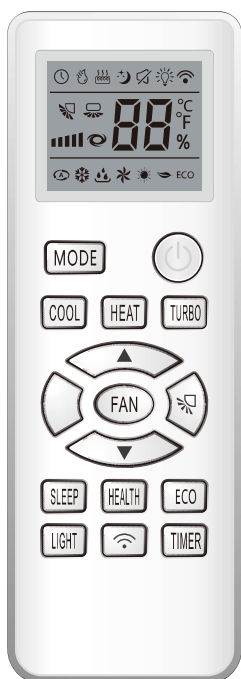
<b>1. Safety Precautions</b> .....	<b>1</b>
<b>2. Specifications</b> .....	<b>2</b>
2.1 Unit Specification .....	2
2.2 Operation Characteristic Curve.....	6
2.3 Cooling Data Sheet in Rated Frequency .....	6
2.4 Noise curve.....	6
<b>3. Construction Views</b> .....	<b>8</b>
3.1 Indoor Unit.....	8
3.2 Outdoor Unit.....	9
<b>4. Refrigerant System Diagram</b> .....	<b>10</b>
<b>5. Schematic Diagram</b> .....	<b>11</b>
5.1 Electrical Wiring.....	11
<b>6. Exploded Views and Parts List</b> .....	<b>13</b>
6.1 Indoor Unit.....	15
6.2 Outdoor Unit.....	17

# Summary and Features

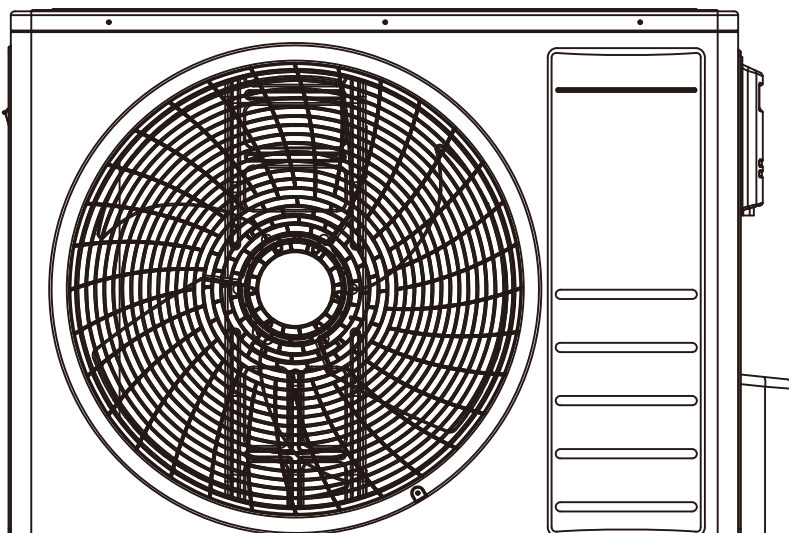
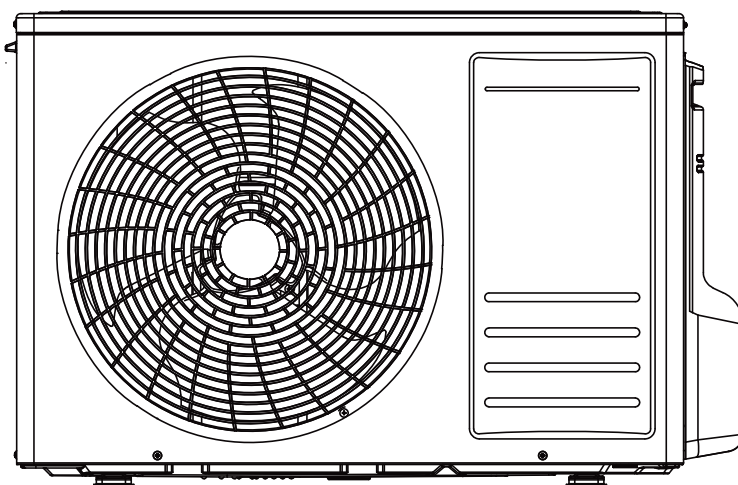
## Indoor Unit



## Remote Controller



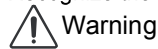
## Outdoor Unit



# 1. Safety Precautions

Installing, starting up, and servicing air conditioner can be hazardous due to system pressure, electrical components, and equipment location, etc. Only trained, qualified installers and service personnel are allowed to install, start-up, and service this equipment. Untrained personnel can perform basic maintenance functions such as cleaning coils. All other operations should be performed by trained service personnel. When handling the equipment, observe precautions in the manual and on tags, stickers, and labels attached to the equipment. Follow all safety codes. Wear safety glasses and work gloves. Keep quenching cloth and fire extinguisher nearby when brazing. Read the instructions thoroughly and follow all warnings or cautions in literature and attached to the unit. Consult local building codes and current editions of national as well as local electrical codes.

Recognize the following safety information:



## Warning

Incorrect handling could result in personal injury or death.



## Caution

Incorrect handling may result in minor injury, or damage to product or property.

- ◆ Make sure the outdoor unit is installed on a stable, level surface with no accumulation of snow, leaves, or trash beside.
- ◆ Make sure the ceiling/wall is strong enough to bear the weight of the unit.
- ◆ Make sure the noise of the outdoor unit does not disturb neighbors.
- ◆ Follow all the installation instructions to minimize the risk of damage from earth quakes, typhoons or strong winds.
- ◆ Avoid contact between refrigerant and fire as it generate poisonous gas.
- ◆ Apply specified refrigerant only. Never have it mixed with any other refrigerant. Never have air remain in the refrigerant line as it may lead to rupture and other hazards.
- ◆ Make sure no refrigerant gas is leaking out when installation is completed.
- ◆ Should there be refrigerant leakage, the density of refrigerant in the air shall in no way exceed its limited value, or it may lead to explosion.
- ◆ Keep your fingers and clothing away from any moving parts.
- ◆ Clear the site after installation. Make sure no foreign objects are left in the unit.
- ◆ Always ensure effective grounding for the unit.



## Warning

All electric work must be performed by a licensed technician according to local regulations and the instructions given in this manual.

Before installing, modifying, or servicing system, main electrical disconnect switch must be in the OFF position. There may be more than 1 disconnect switch. Lock out and tag switch with a suitable warning label.

Never supply power to the unit unless all wiring and tubing are completed, reconnected and checked.

This system adopts highly dangerous electrical voltage. Incorrect connection or inadequate grounding can cause personal injury or death. Stick to the wiring diagram and all the instructions when wiring.

Have the unit adequately grounded in accordance with local electrical codes.

Have all wiring connected tightly. Loose connection may lead to overheating and a possible fire hazard.

All installation or repair work shall be performed by your dealer or a specialized subcontractor as there is the risk of fire, electric shock, explosion or injury.



## Caution

Never install the unit in a place where a combustible gas might leak, or it may lead to fire or explosion.

Make a proper provision against noise when the unit is installed at a telecommunication center or hospital.

Provide an electric leak breaker when it is installed in a watery place.

Never wash the unit with water.

Handle unit transportation with care. The unit should not be carried by only one person if it is more than 20kg.

Never touch the heat exchanger fins with bare hands.

Never touch the compressor or refrigerant piping without wearing glove.

Do not have the unit operate without air filter.

Should any emergency occur, stop the unit and disconnect the power immediately.

Properly insulate any tubing running inside the room to prevent the water from damaging the wall.



## 2. Specifications

### 2.1 Unit Specifications

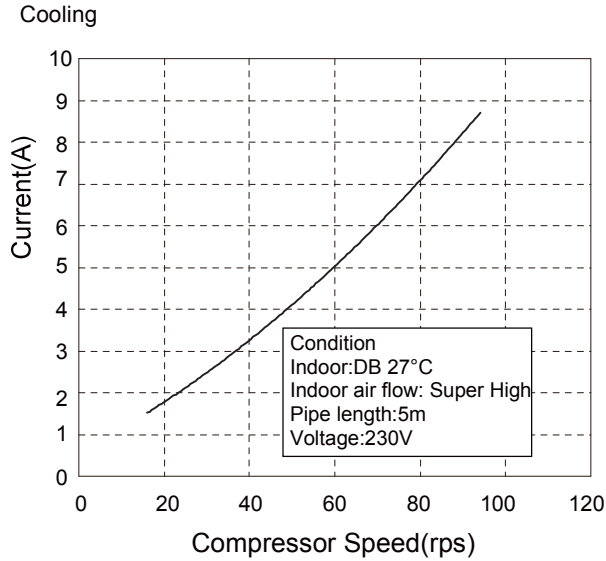
Parameter		Unit	Value	Value
Model		--	IEWV009I3A-YWI022	IEWV012I3A-YWI036
Product Code		--	KEB001Z2710	KEB001Z2750
Power Supply	Rated Voltage	V~	220-240	220-240
	Rated Frequency	Hz	50	50
	Phases	--	1	1
Power Supply Mode		--	indoor	indoor
Cross-sectional Area of Power Cable Conductor		mm <sup>2</sup>	1.00	1.00
Recommended Power Cable(Core)		--	3	3
Min/Max. Voltage		V	198/264	198/264
Cooling Capacity		W	2640	3520
Cooling Capacity		Btu/h	9008	12010
Min. Cooling Capacity		W	400	550
Min. Cooling Capacity		Btu/h	1365	1877
Max. Cooling Capacity		W	3300	4000
Max. Cooling Capacity		Btu/h	11260	13648
Cooling Power Input		W	810	1100
Min. Cooling Power Input		W	150	180
Max. Cooling Power Input		W	1430	1560
Cooling Current		A	3.59	4.88
Rated Input		W	1430	1560
Rated Current		A	6.34	6.92
EER		W/W	3.26	3.20
EER		(Btu/h)/W	11.10	10.90
Air Flow Volume		m <sup>3</sup> /h	530/490/430/330	660/540/460/330
Air Flow Volume		CFM	312/288/253/194	388/317/270/194
Dehumidifying Volume		L/h	0.80	1.40
Dehumidifying Volume		PINT/D	1.69	2.96
Application Area		m <sup>2</sup>	12-18	16-24
Indoor Unit	Indoor Unit Model	--	IEWV009I3A-YWI022	IEWV012I3A-YWI036
	Fan Type	--	Cross-flow	Cross-flow
	Fan Diameter Length(D×L)	mm	φ97.5×579	φ97.5×633.5
	Fan Diameter Length(D×L)	inch	φ3.83×22.8	φ3.83×24.94
	Cooling Speed(SH/H/M/L)	r/min	1350/1200/800/650	1350/1200/800/650
	Fan Motor Power Output	W	18	22
	Fan Motor RLA	A	0.20	0.2
	Fan Motor Capacitor	μF	1	1.5
	Evaporator Form	--	Alumium Tube	Alumium Tube
	Evaporator Pipe Diameter	mm	φ5	φ5
	Evaporator Row-fin Gap	mm	2-1.4	2-1.4
	Evaporator Coil Length (L×D×W)	mm	584x22.8x266.5	636x22.8x304.8
	Swing Motor Model	--	24BJ-A1	24BJ-A2
	Swing Motor Power Output	W	1.5	1.5
	Fuse Current	A	3.15	3.15
	Set Temperature Range	°C	16~31	16~31
	Sound Pressure Level	dB (A)	39/36/24/21	42/39/29/26
	Sound Power Level	dB (A)	52/49/37/34	55/52/41/39
	Dimension (W×H×D)	mm	821x283x200	884x298x205
	Dimension of Carton Box (W×H×D)	mm	895x281x350	948x288x366
	Dimension of Package(W×H×D)	mm	898x291x353	951x298x369
	Stacked Layers	--	7	7
	Net Weight	kg	9	10
Gross Weight	kg	11.5	11.5	

Outdoor Unit	Outdoor Unit Model	--	ICHV009I3A-YSI022	ICHV012I3A-YSI036
	Compressor Trademark		CRSS	CRSS
	Compressor Manufacturer	--	China Resources (Shenyang) SanyoCompressor Co., LTD.	China Resources (Shenyang) SanyoCompressor Co., LTD.
	Compressor Model	--	C-1RZ110H1AE	C-1RZ110H1AE
	Compressor Oil	--	FV50BX	FV50BX
	Compressor Type	--	Rotary	Rotary
	Compressor LRA.	A	25	25
	Compressor RLA	A	3.5	3.5
	Compressor Power Input	W	780	780
	Compressor Overload Protector	--	--	--
	Fan Type	--	Axial-flow	Axial-flow
	Fan Diameter	mm	405	405
	Fan Motor Speed	rpm	850	850
	Fan Motor Power Output	W	29	29
	Fan Motor RLA	A	0.3	0.3
	Fan Motor Capacitor	μF	2.5	2.5
	Outdoor Unit Air Flow Volume	m <sup>3</sup> /h	1800	1800
	Condenser Form	--	Alumium Tube	Alumium Tube
	Condenser Pipe Diameter	mm	φ7	φ7.94
	Condenser Rows-fin Gap	mm	1-1.4	1-1.4
	Condenser Coil Length (L×D×W)	mm	742×19.05×506	742×19.05×506
	Permissible Excessive Operating Pressure for the Discharge Side	MPa	4.3	4.3
	Permissible Excessive Operating Pressure for the Suction Side	MPa	2.5	2.5
	Maximum Allowable Pressure	MPa	4.3	4.3
	Cooling Operation Ambient Temperature Range	℃	18~48	18~48
	Throttling Method	--	Capillary	Capillary
	Climate Type	--	T1	T1
	Climate Zone	--	Temperate Zone	Temperate Zone
	Isolation	--	I	I
	Moisture Protection	--	IP24	IP24
	Sound Pressure Level	dB (A)	50	51
	Sound Power Level	dB (A)	62	63
	Dimension (W×H×D)	mm	830X540X325	830X540X325
Dimension of Carton Box (W×H×D)	mm	876X585X363	876X585X363	
Dimension of Package(W×H×D)	mm	879X605X366	879X605X366	
Stacked Layers	--	5	5	
Net Weight	kg	27.5	28	
Gross Weight	kg	30.5	31	
Refrigerant	--	R410A	R410A	
Refrigerant Charge	kg	0.65	0.75	
Connection Pipe	Length	m	5	5
	Gas Additional Charge	g/m	20	20
	Outer Diameter of Liquid Pipe(Skyworth Allocation)(Metric)	mm	φ6	φ6
	Outer Diameter of Gas Pipe(Skyworth Allocation)(Metric)	mm	φ9.52	φ9.52
	Max Distance Height	m	10	10
	Max Distance Length	m	20	20

Parameter	Unit	Value	Value
Model	--	IEWV018I3A-YWH056	IEWV024I3A-YWH071
Product Code	--	KEB001Z2760	KEB001Z2770
Power Supply	Rated Voltage	V~	220-240
	Rated Frequency	Hz	50
	Phases	--	1
Power Supply Mode	--	indoor	indoor
Cross-sectional Area of Power Cable Conductor	mm <sup>2</sup>	1.00	1.00
Recommended Power Cable(Core)	--	3	3
Min/Max. Voltage	V	198/264	198/264
Cooling Capacity	W	5270	6450
Cooling Capacity	Btu/h	17981	22007
Min. Cooling Capacity	W	1000	1400
Min. Cooling Capacity	Btu/h	3412	4777
Max. Cooling Capacity	W	6700	7000
Max. Cooling Capacity	Btu/h	22860	23884
Cooling Power Input	W	1735	2120
Min. Cooling Power Input	W	320	380
Max. Cooling Power Input	W	2460	2800
Cooling Current	A	7.70	9.41
Rated Input	W	2460	2800
Rated Current	A	10.91	12.42
EER	W/W	3.04	3.04
EER	(Btu/h)/W	10.40	10.40
Air Flow Volume	m <sup>3</sup> /h	850/720/610/520	850/720/610/520
Air Flow Volume	CFM	500/424/359/306	500/424/359/306
Dehumidifying Volume	L/h	1.80	2.40
Dehumidifying Volume	PINT/D	3.80	4.22
Application Area	m <sup>2</sup>	25-36	37-54
Indoor Unit	Indoor Unit Model	--	IEWV018I3A-YWH056
	Fan Type	--	Cross-flow
	Fan Diameter Length(D×L)	mm	Φ106x706
	Fan Diameter Length(D×L)	inch	Φ4.17x27.8
	Cooling Speed(SH/H/M/L)	r/min	1350/1200/900/750
	Fan Motor Power Output	W	40
	Fan Motor RLA	A	0.36
	Fan Motor Capacitor	μF	2.5
	Evaporator Form	--	Alumium Tube
	Evaporator Pipe Diameter	mm	φ7
	Evaporator Row-fin Gap	mm	2-1.4
	Evaporator Coil Length (L×D×W)	mm	715x25.4x304.8
	Swing Motor Model	--	35BJ-A1
	Swing Motor Power Output	W	2.5
	Fuse Current	A	3.15
	Set Temperature Range	℃	16~31
	Sound Pressure Level	dB (A)	47/44/35/30
	Sound Power Level	dB (A)	60/57/48/43
	Dimension (W×H×D)	mm	1003x310x222
	Dimension of Carton Box (W×H×D)	mm	1077x304x380
	Dimension of Package(W×H×D)	mm	1080x314x383
Stacked Layers	--	7	
Net Weight	kg	13.5	
Gross Weight	kg	11.5	

Outdoor Unit	Outdoor Unit Model	--	ICHV018I3A-YSH056	ICHV024I3A-YSH071
	Compressor Trademark		CRSS	CRSS
	Compressor Manufacturer	--	China Resources (Shenyang) SanyoCompressor Co., LTD.	AVIC ELECTROMECHANICAL(SHENYANG) SANYO REFRIGERATION EQUIPMENT CO.,LTD.
	Compressor Model	--	C-6RZ146H1AG	C-6RZ146H1DJ
	Compressor Oil	--	FV50BX or equivalen	PVE or equivalent
	Compressor Type	--	Rotary	Rotary
	Compressor LRA.	A	25	20
	Compressor RLA	A	6.10	4.51
	Compressor Power Input	W	1145	1080
	Compressor Overload Protector	--	--	--
	Fan Type	--	Axial-flow	Axial-flow
	Fan Diameter	mm	455	455
	Fan Motor Speed	rpm	850	850
	Fan Motor Power Output	W	60	60
	Fan Motor RLA	A	0.54	0.54
	Fan Motor Capacitor	μF	5	5
	Outdoor Unit Air Flow Volume	m <sup>3</sup> /h	2800	2800
	Condenser Form	--	Alumium Tube	Alumium Tube
	Condenser Pipe Diameter	mm	φ7.94	φ7
	Condenser Rows-fin Gap	mm	1-1.4	2-1.4
	Condenser Coil Length (L×D×W)	mm	892×19.05×572	869×38.1×572
	Permissible Excessive Operating Pressure for the Discharge Side	MPa	4.3	4.3
	Permissible Excessive Operating Pressure for the Suction Side	MPa	2.5	2.5
	Maximum Allowable Pressure	MPa	4.3	4.3
	Cooling Operation Ambient Temperature Range	℃	18~48	18~48
	Throttling Method	--	Capillary	Capillary
	Climate Type	--	T1	T1
	Climate Zone	--	Temperate Zone	Temperate Zone
	Isolation	--	I	I
	Moisture Protection	--	IP24	IP24
	Sound Pressure Level	dB (A)	53	54
	Sound Power Level	dB (A)	65	66
	Dimension (W×H×D)	mm	890x598x372	890x598x372
Dimension of Carton Box (W×H×D)	mm	938x647x409	938x647x409	
Dimension of Package(W×H×D)	mm	941x663x412	941x663x412	
Stacked Layers	--	5	5	
Net Weight	kg	36	40	
Gross Weight	kg	39	43	
Refrigerant	--	R410A	R410A	
Refrigerant Charge	kg	0.87	1.40	
Connection Pipe	Length	m	5	5
	Gas Additional Charge	g/m	20	56
	Outer Diameter of Liquid Pipe(Skyworth Allocation)(Metric)	mm	φ6	φ6
	Outer Diameter of Gas Pipe(Skyworth Allocation)(Metric)	mm	φ12	φ16
	Max Distance Height	m	10	10
	Max Distance Length	m	25	25

## 2.2 Operation Characteristic Curve



## 2.3 Cooling Data Sheet in Rated Frequency

Model	Rated cooling condition(°C) (DB/WB)		Pressure of gas pipe connecting indoor and outdoor unit P (MPa)	Inlet and outlet pipe temperature of heat exchanger		Fan speed of indoor unit	Outdoor fan mode (rpm)
	Indoor	Outdoor		T1 (°C)	T2 (°C)		
09K	27/19	35/24	0.9~1.1	12 to 14	75 to 37	Super High	850
12K							
18K							
24K							

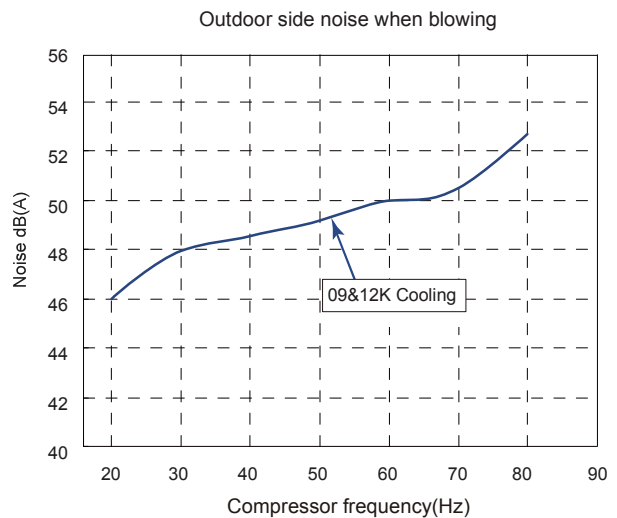
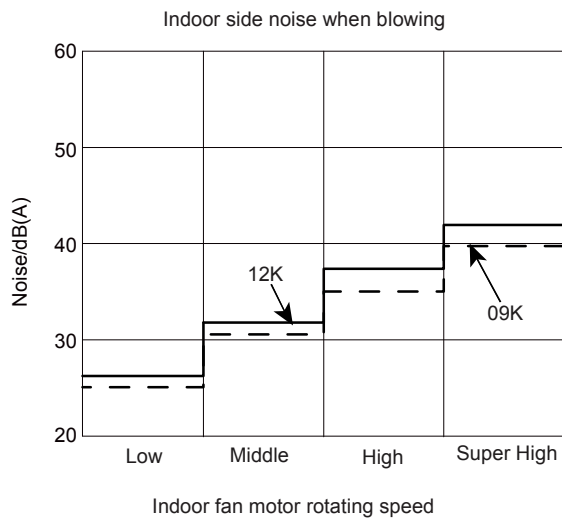
T1: Inlet and outlet pipe temperature of evaporator;  
T2: Inlet and outlet pipe temperature of condenser;  
P: Pressure of air pipe connecting indoor and outdoor units.

### NOTES :

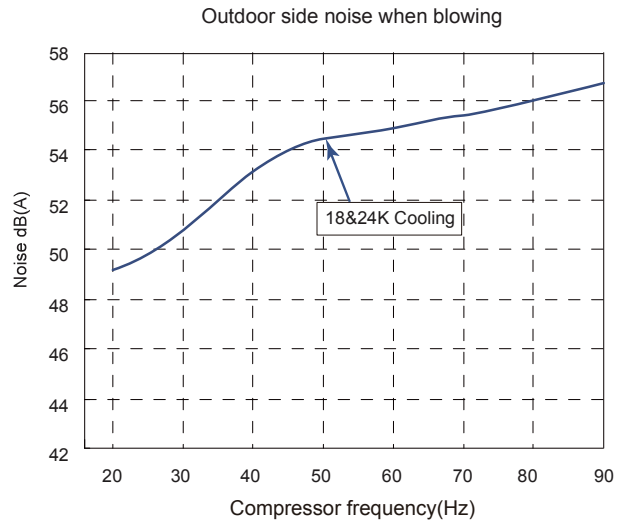
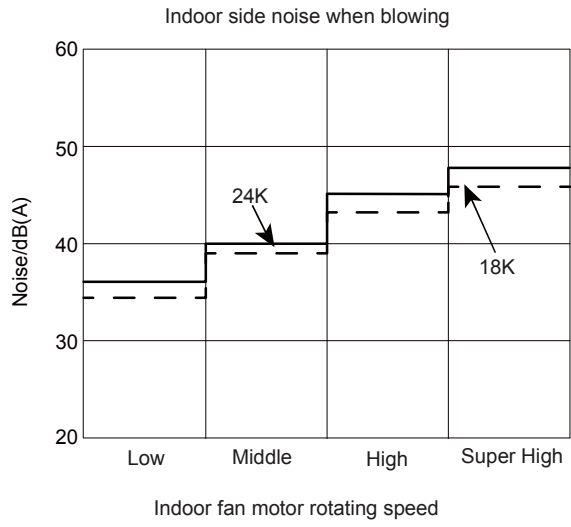
- (1) Measure surface temperature of heat exchanger pipe around center of heat exchanger path U bent.(Thermistor thermometer)
- (2) Connecting piping condition : 5m

## 2.4 Noise Curve

- 09K&12K



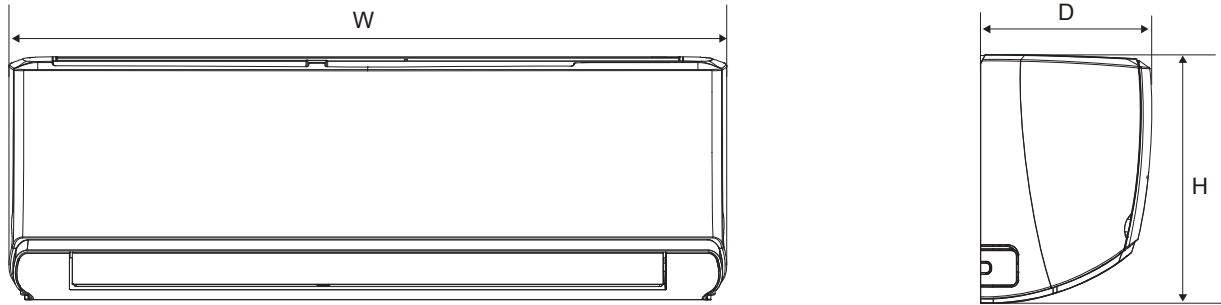
● 18K&24K



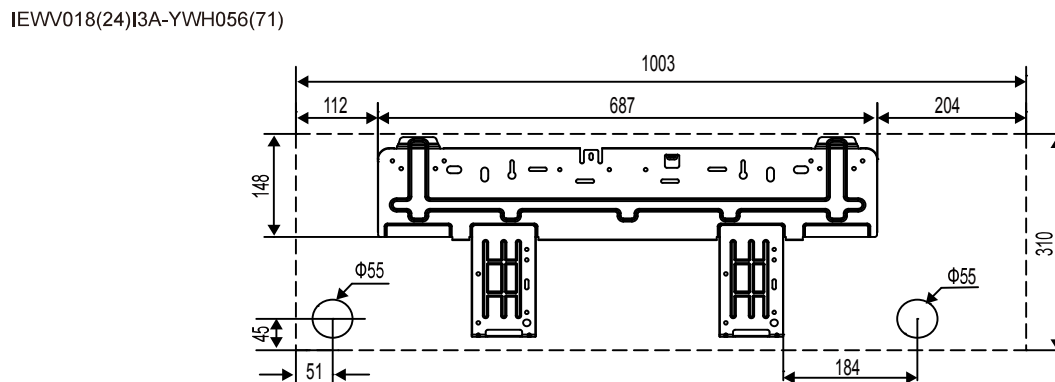
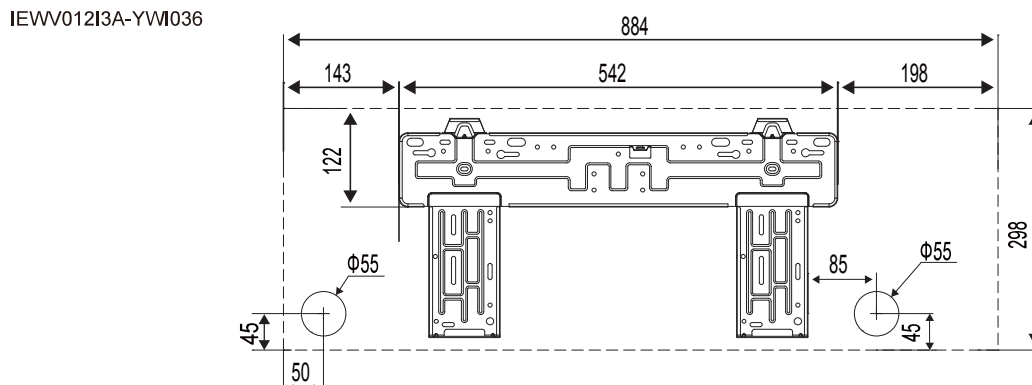
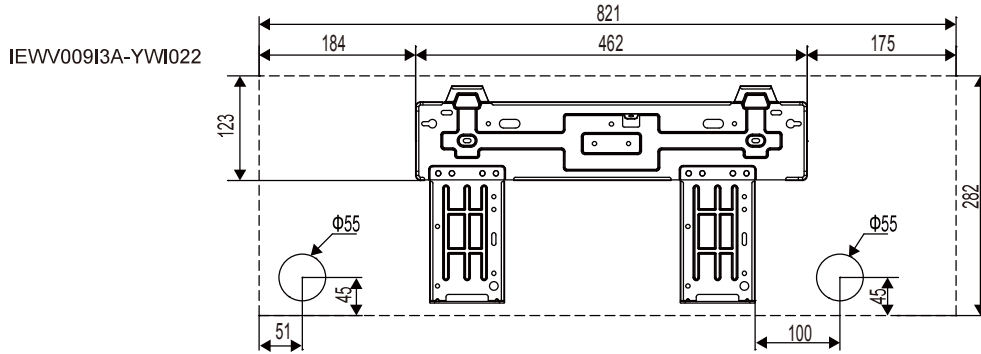
### 3. Construction Views

#### 3.1 Indoor Unit

Unit:mm



Model	W(mm)	H(mm)	D(mm)
IEWV009I3A-YWI022	821	282	200
IEWV012I3A-YWI036	884	298	205
IEWV018(24)I3A-YWH056(71)	1003	310	222

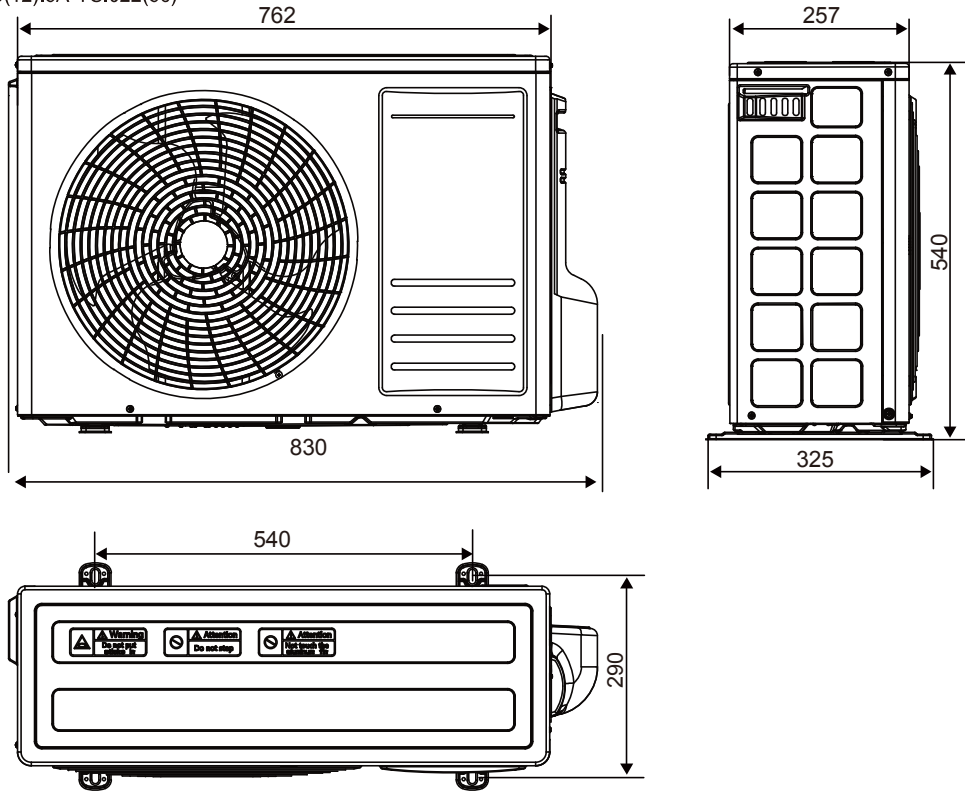




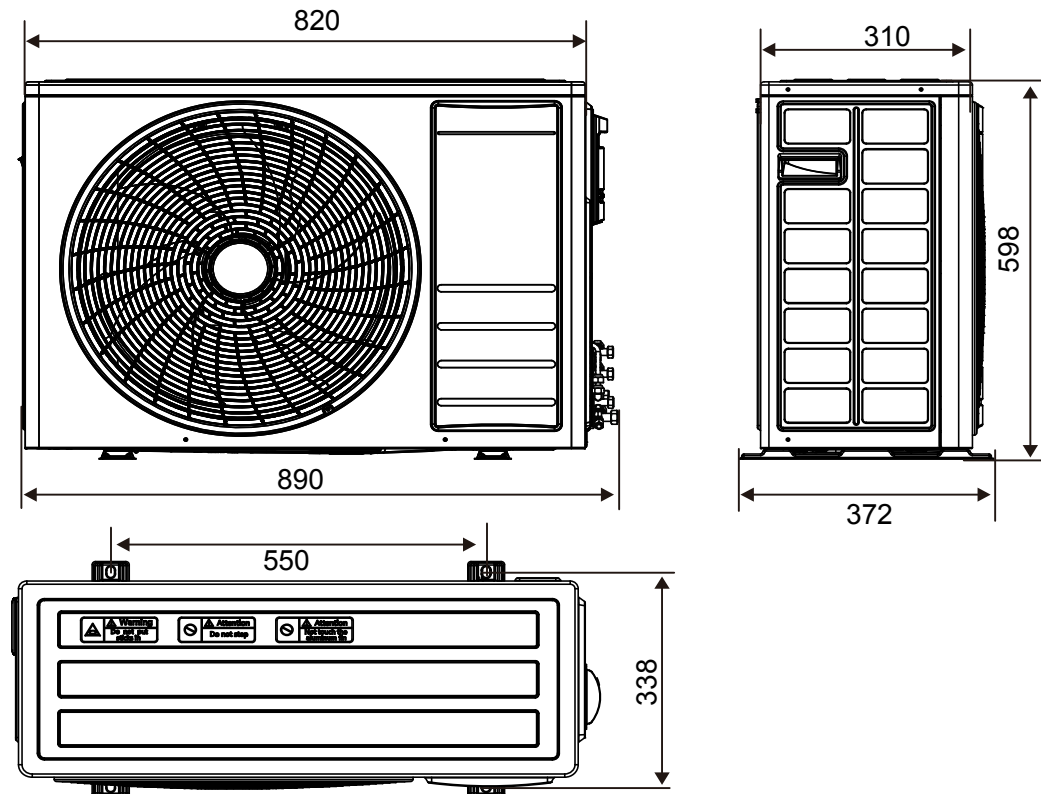
### 3.2 outdoor Unit

Unit:mm

ICHV009(12)I3A-YSI022(36)

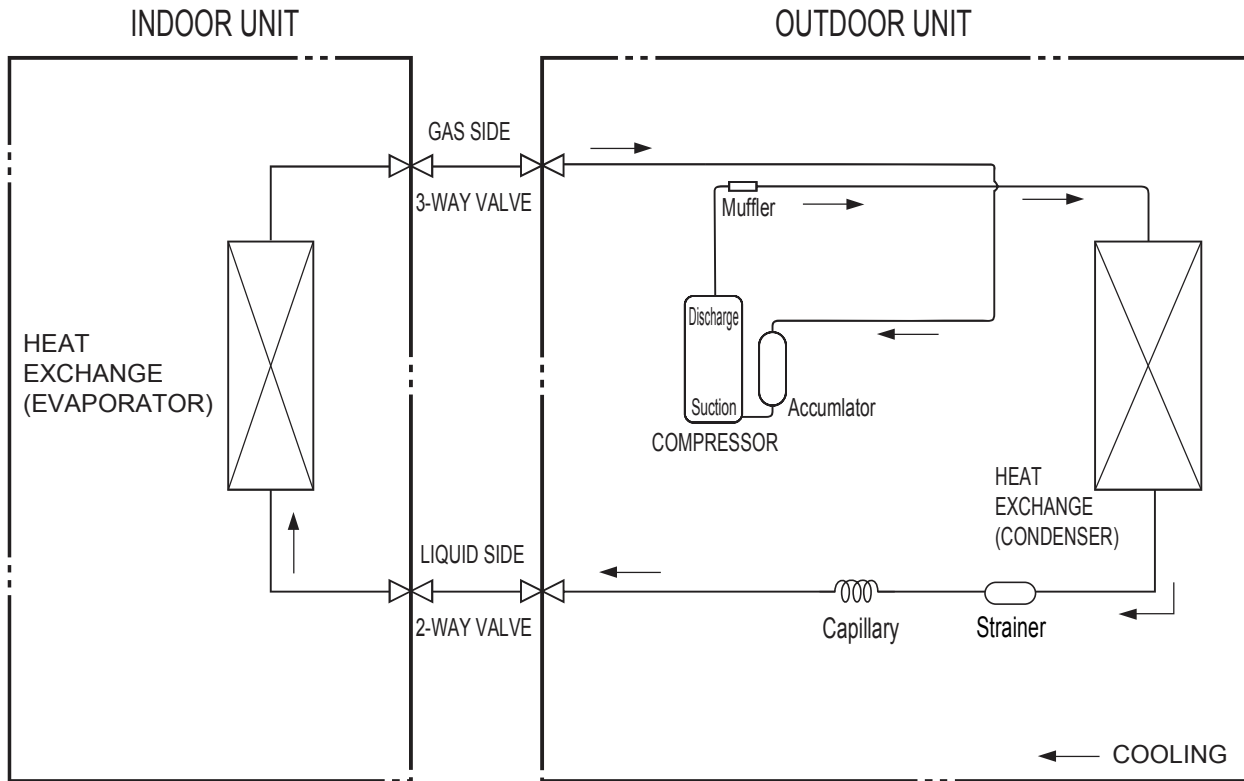


ICHV018(24)I3A-YSH056(71)



# 4. Refrigerant System Diagram

Cooling



**Refrigerant pipe diameter**  
 09K/12K Liquid :1/4" (6 mm) Gas : 3/8" (9.52mm)  
 18K Liquid :1/4" (6 mm) Gas : 1/2" (12mm)  
 24K Liquid :1/4" (6 mm) Gas : 5/8" (16mm)

# 5. Schematic Diagram

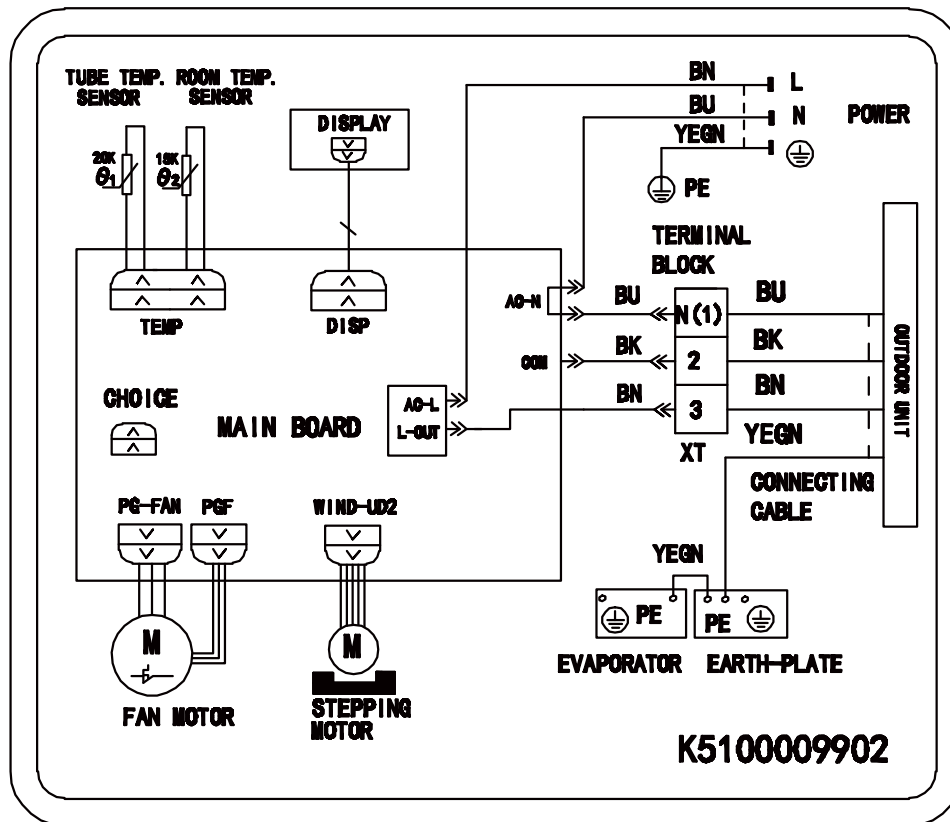
## 5.1 Electrical Wiring

### Meaning of marks

Symbol	OG	WH	YE	RD	YEGN	BN	BU	BK	VT
Color symbol	ORANGE	WHITE	YELLOW	RED	YELLOW GREEN	BROWN	BLUE	BLACK	VIOLET
Symbol	COMP.		4WAY		EKV			⊕/PE	
Name	COMPRESSOR		4-WAY VALVE		ELECTRONIC EXPANSION VALVE			PROTECTIVE EARTH	

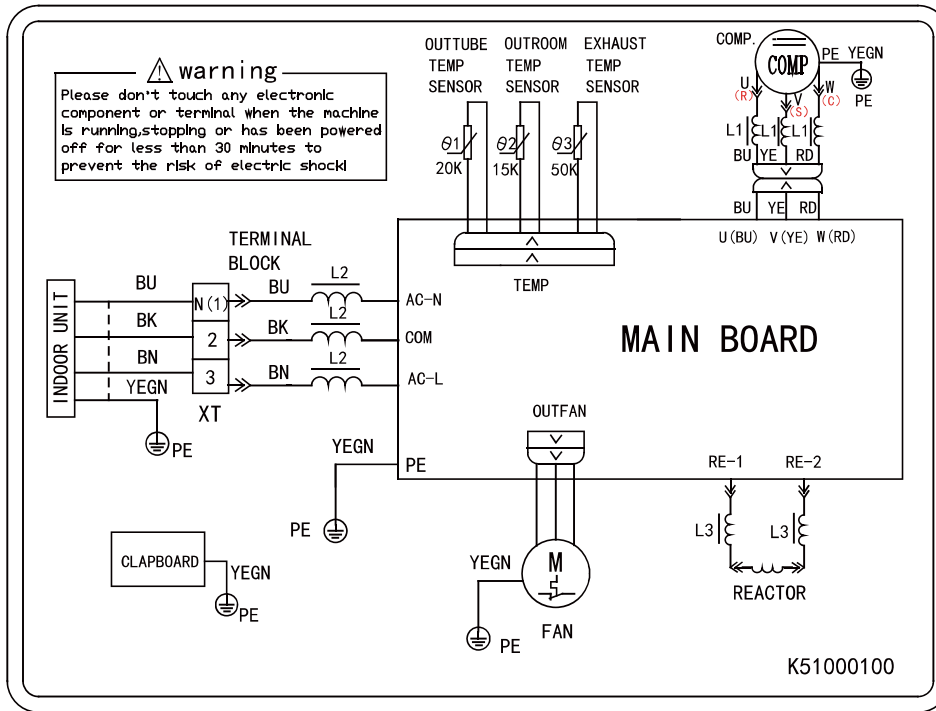
### ◆ Indoor Unit

IEWV009(12,18,24)I3A-YWI022(36,56,71)

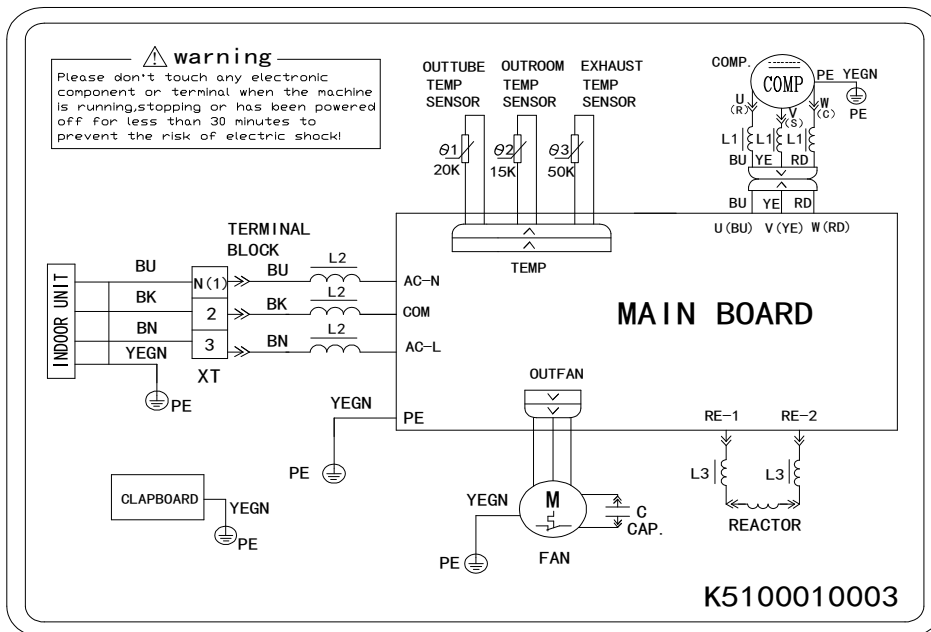


◆ Outdoor Unit

ICHV009(12)I3A-YSI022(36)



ICHV018(24)I3A-YSH056(71)

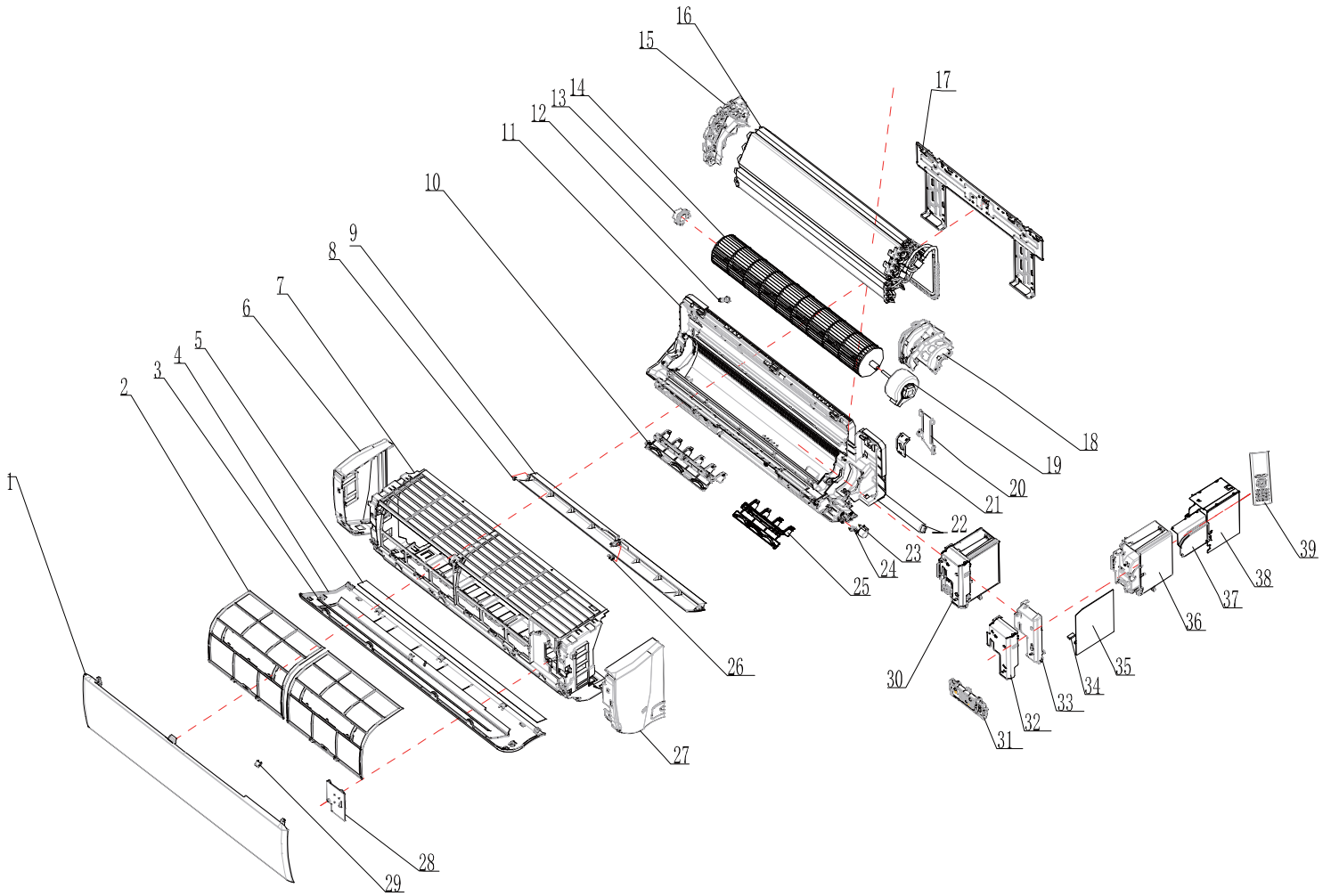


These circuit diagrams are subject to change without notice, please refer to the one supplied with the unit.

# 6. Exploded Views and Parts List

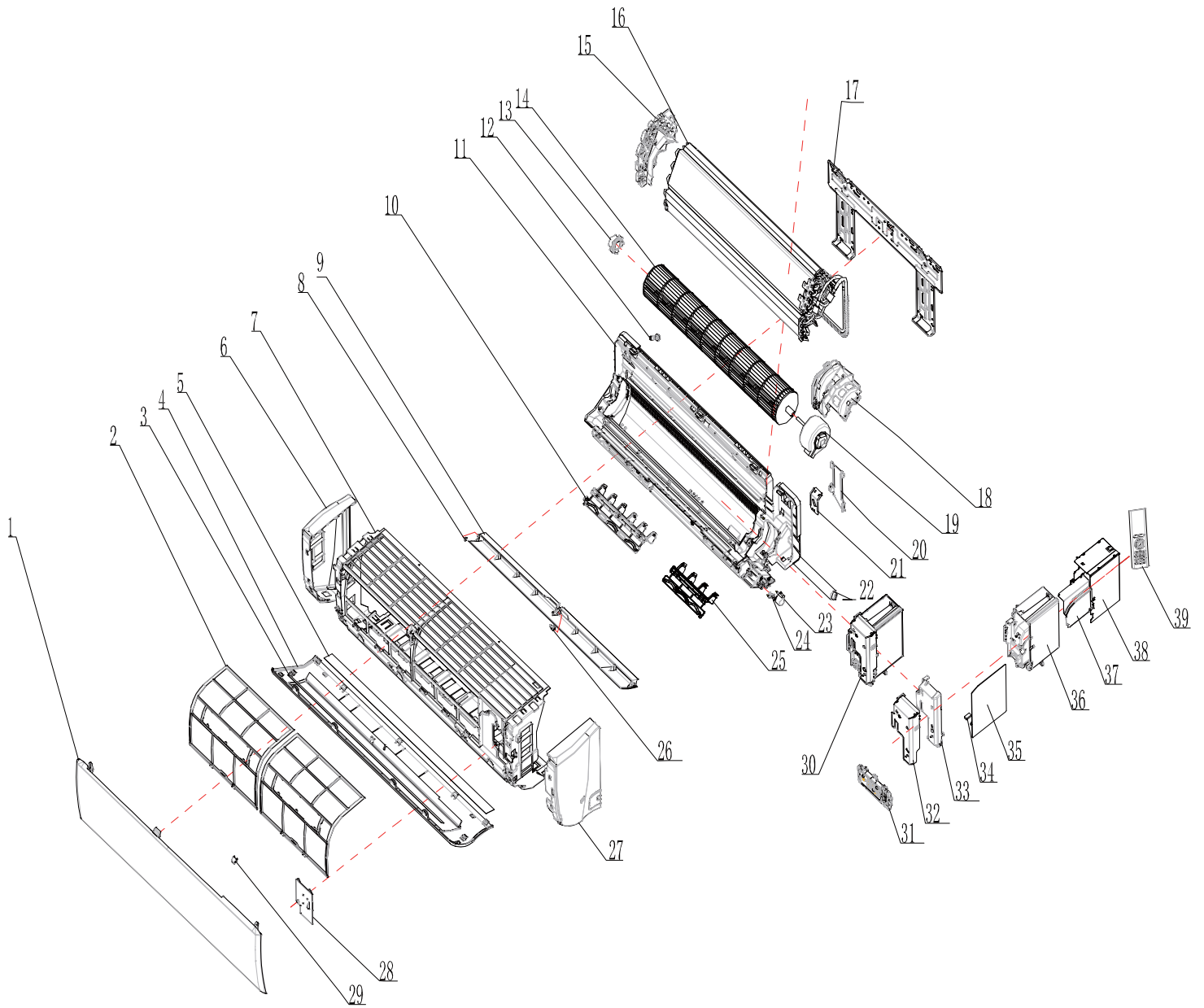
## 6.1 Indoor Unit

IEWV009I3A-YWI022



No.	Description	Part Code		Qty
		IEWV009I3A-YWI022		
		KEB001N2710		
1	panel	K20000008T		1
2	filter subassembly	K15420004		2
3	air outlet	K11260002		1
4	flannelette strip	K15810015		1
5	flannelette strip	K15810017		1
6	panel	K20000113		1
7	left side plate	K21420003		1
8	left axle bush	K15210001		1
9	air louver	K15200039		1
10	swing louver 1	K15200004		1
11	chassis subassembly	K21400028		1
12	water pan rubber	K62600006		1
13	bearing rubber ring subassembly	K62400002		1
14	cross-flow fan	K15020002		1
15	evaporator angular carriage	K21800006		1
16	evaporator assembly	K10200031		1
17	wall frame	K10450006		1
18	fan motor clamp board	K22020003		1
19	fan motor	K16800001		1
20	connction pipe pressed plate	K22020001		1
21	drain pipe	K1301000101		1
22	step motor	K17000001		1
23	crank	K61200001		1
24	swing louver 2	K15200005		1
25	axile bush	K15210002		1
26	right side plate	K21420004		1
27	electrical box cover 2 subassembly	K10553000		1
28	screw cap	K21830002		1
29	electrical box assembly	K11800312		1
30	display board	K21610033		1
31	electrical box cover 1 shielding cover	K20400009		1
32	electrical box cover 1	K20400008		1
33	tempreature sensor	K33000001		1
34	jumper wire cap	K3361000310		1
35	main board	K50102204		1
36	electrical box	K20400040		1
37	electrical box shielding cover 2	K10450020		1
38	electrical box shielding cover 1	K20400013		1
39	remote controller	K30400058		1

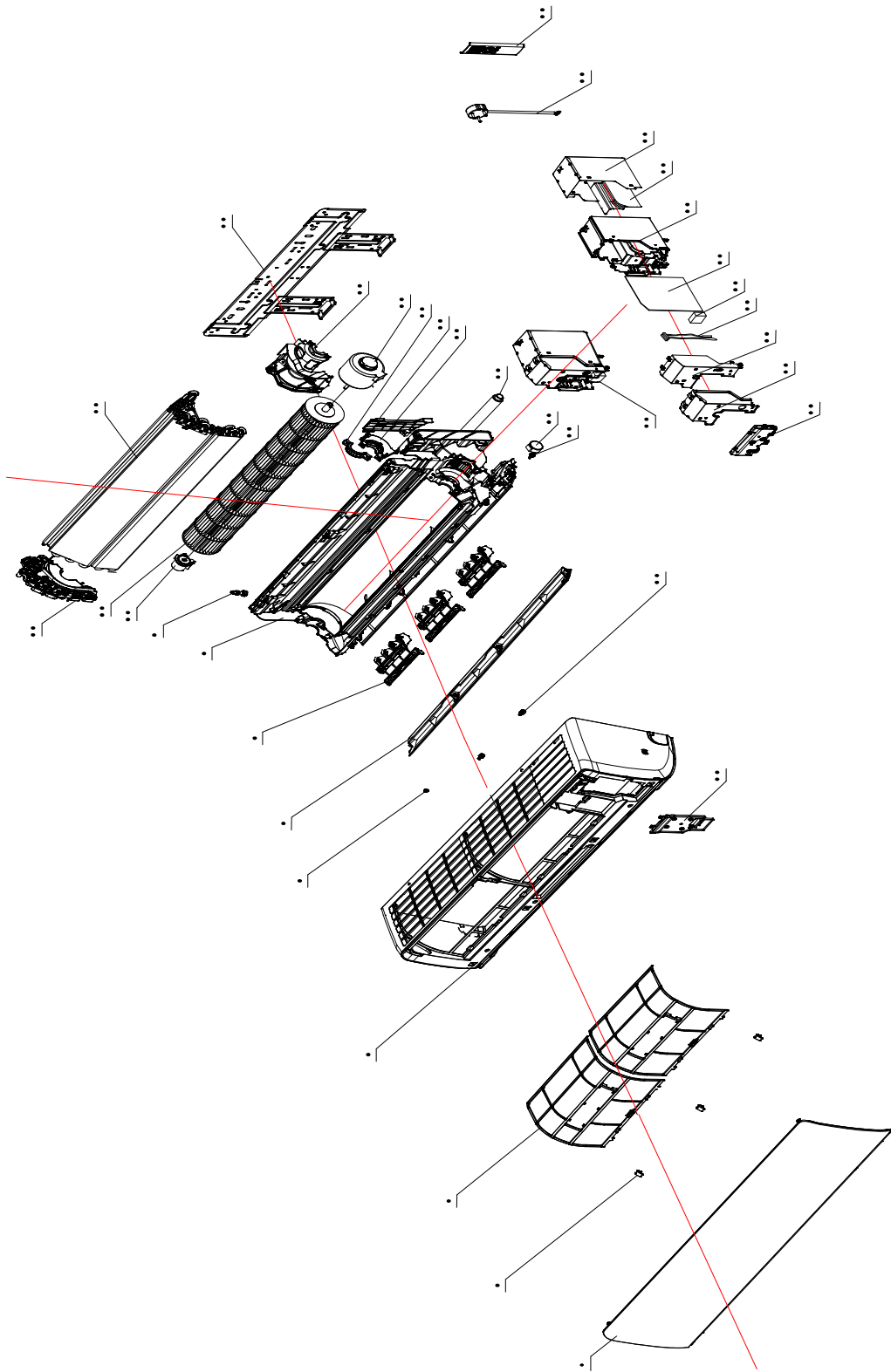
IEWV012I3A-YWI036





No.	Description	Part Code	Qty
		IEWV012I3A-YWI036	
		Product Code	
		KEB001N2750	
1	panel	K20000001T	1
2	filter subassembly	K15420003	2
3	air outlet	K15810040	1
4	flannelette strip	K1126000101	1
5	flannelette strip	K15810015	1
6	panel	K21420002	1
7	left side plate	K20000003	1
8	left axle bush	K15210001	1
9	air louver	K15200001	1
10	swing louver 1	K15200002	1
11	chassis subassembly	K21400002	1
12	water pan rubber	K62600006	1
13	bearing rubber ring subassembly	K62400002	1
14	cross-flow fan	K15020001	1
15	evaporator angular carriage (original color)	K21800002	1
16	evaporator assembly	K10200029Y01	1
17	wall frame	K10450001	1
18	fan motor clamp board (original color)	K22020002	1
19	fan motor	K16800002	1
20	connction pipe pressed plate (gray)	K22020001	1
21	guard plate	K13200011	1
22	drain pipe	K1301000102	1
23	step motor MP24BJ-A2	K17000002	1
24	crank (key color)	K61200001	1
25	swing louver 2 (dark gray)	K15200003	1
26	axile bush	K15210002	1
27	right side plate	K21420001	1
28	electrical box cover 2 subassembly	K10553000	1
29	screw cap	K21830001	1
30	electrical box assembly	K11800314	1
31	display board	K21610033	1
32	electrical box cover 1 shielding cover	K20400009	1
33	electrical box cover 1 (dark gray)	K20400008	1
34	jumper wire cap	K3361000313	1
35	main board	K50102205	1
36	electrical box (dark gray)	K20400040	1
37	electrical box shielding cover 2	K10450020	1
38	electrical box shielding cover 1	K20400013	1
39	remote controller	K30400058	1

# IEWV018(24)I3A-YWH056(71)

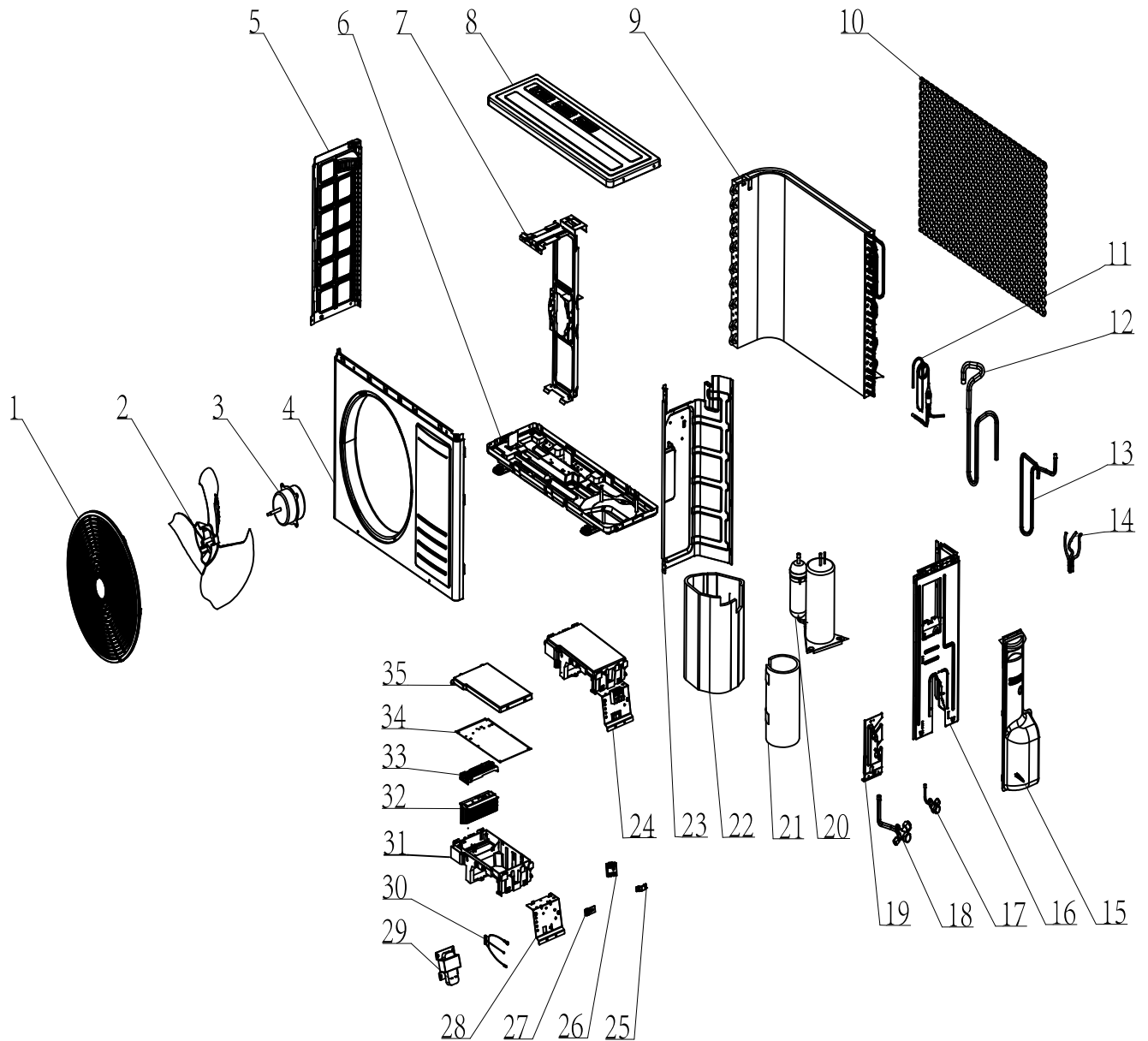


No.	Description	Part Code	Qty
		IEWV018I3A-YWH056	
		Product Code	
		KEB001N2760	
1	panel	K20000013T	1
2	screw cap	K21830003	3
3	filter subassembly	K15420006	2
4	panel	K2000001001	1
5	left axle bush	K15210001	1
6	air louver	K15200008	1
7	swing louver	K15200007	3
8	chassis subassembly	K21400005	1
9	water pan rubber	K62600006	1
10	bearing rubber ring subassembly	K62400004	1
11	cross-flow fan	K15020003	1
12	evaporator angular carriage	K21800004	1
13	evaporator assembly	K10200006	1
14	wall frame	K10450017	1
15	fan motor clamp board	K22020004	1
16	fan motor	K16800003	1
17	fan motor clamp board	K61000009	1
18	connection pipe pressed plate	K12220031	1
19	motor stand	K61000008	1
20	drain pipe	K1301000103	1
21	step motor	K17000003	1
22	crank	K61200001	2
23	axle bush	K15210002	1
24	electrical box cover 2 subassembly	K20400022	1
25	electrical box assembly	K11800358	1
26	display board	K21610033	1
27	electrical box cover shielding cover	K20400020	1
28	electrical box cover	K20400019	1
29	temperature sensor	K33000001	1
30	jumper wire cap	K3361000323	1
31	main board	K50102206	1
32	electrical box	K20400041	1
33	electrical box shielding cover 2	K20400018	1
34	electrical box shielding cover 1	K20400017	1
35	power line	K3322000201	1
36	remote controller	K30400058	1

No.	Description	Part Code	Qty
		IEWV024I3A-YWH071	
		Product Code KEB001N2770	
1	panel	K20000013T	1
2	screw cap	K21830003	3
3	filter subassembly	K15420006	2
4	panel	K2000001001	1
5	left axle bush	K15210001	1
6	air louver	K15200008	1
7	swing louver	K15200007	3
8	chassis subassembly	K21400005	1
9	water pan rubber	K62600006	1
10	bearing rubber ring subassembly	K62400004	1
11	cross-flow fan	K15020003	1
12	evaporator angular carriage	K21800004	1
13	evaporator assembly	K10200009Y	1
14	wall frame	K10450017	1
15	fan motor clamp board	K22020004	1
16	fan motor	K16800003	1
17	fan motor clamp board	K61000009	1
18	connction pipe pressed plate	K22020005	1
19	motor stand	K61000008	1
20	drain pipe	K1301000103	1
21	step motor	K17000003	1
22	crank	K61200001	2
23	axile bush	K15210002	2
24	electrical box cover 2 subassembly	K20400022	1
25	electrical box assembly	K11800359	1
26	display board	K21610033	1
27	electrical box cover shielding cover	K20400020	1
28	electrical box cover	K20400019	1
29	temperature sensor	K33000001	1
30	jumper wire cap	K3361000324	1
31	main board	K50102206	1
32	electrical box	K20400041	1
33	electrical box shielding cover 2	K20400018	1
34	electrical box shielding cover 1	K20400017	1
35	power line	K3322000202	1
36	remote controller	K30400058	1

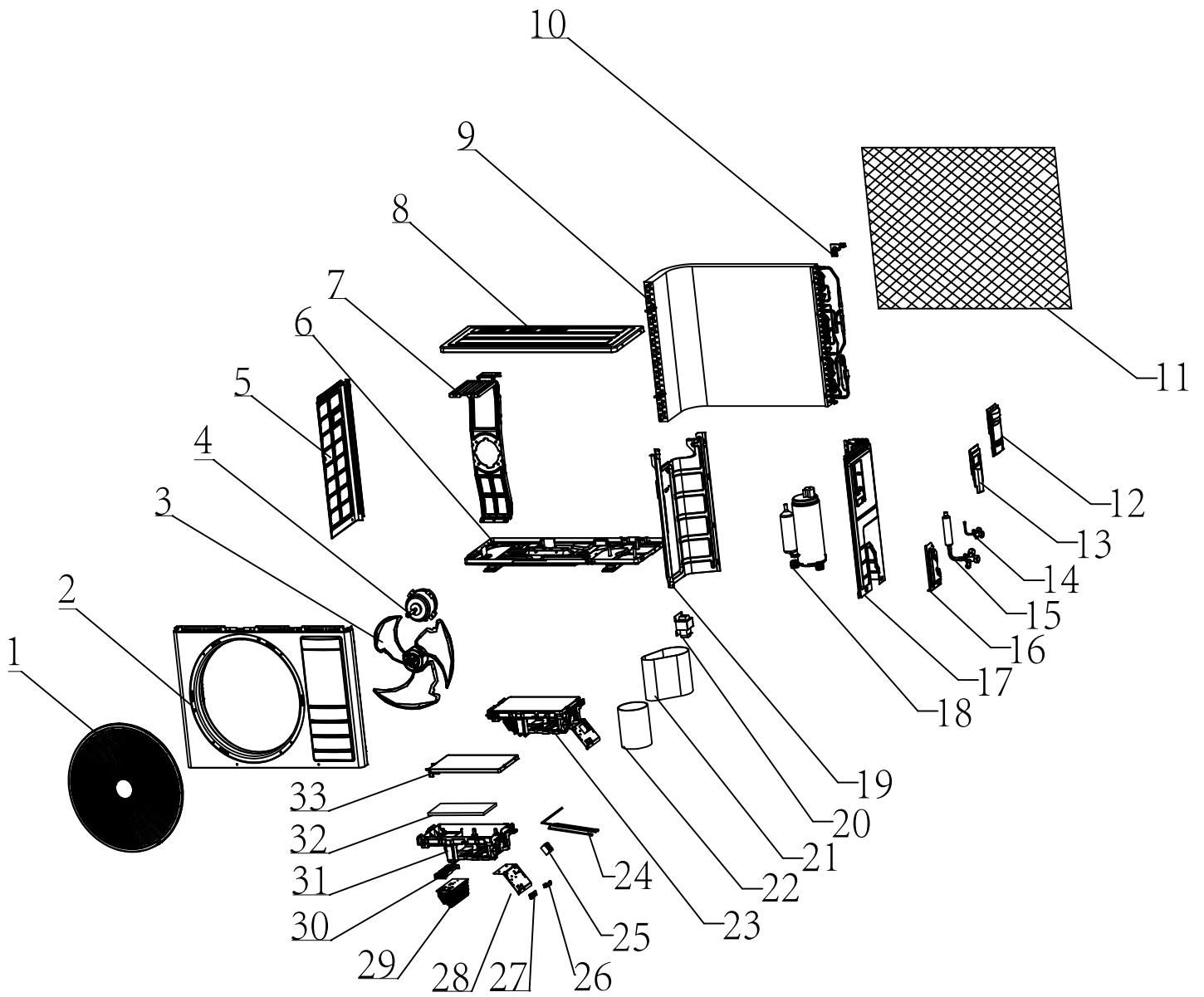
## 6.2 Outdoor Unit

ICHV009(12)I3A-YSI022(36)



No.	Description	Part Code	Qty
		ICHV009(12)I3A-YSI022(36)	
		Product Code	
		KEB001W0610	
1	grill (apricot grey)	K21600001	1
2	axial flow fan (original color)	K15010001	1
3	ODU fan motor	K1680000501	1
4	front panel (apricot grey)	K11010001P	1
5	left side panel	K10600067	1
6	chassis subassembly	K10400091P	1
7	motor support	K1120002802	1
8	top cover (apricot grey)	K10450004P	1
9	condenser assembly	K10300172	1
10	mesh (plastic)	K10860001	1
11	capillary subassembly	K12000153	1
12	suction pipe subassembly	K12640096	1
13	discharge pipe	K12610188	1
14	wiring (compressor)	K33200009	1
15	connecting screw cover (apricot grey) (export)	K22210002	1
16	right side panel (apricot grey)	K1060000101P	1
17	small stop valve	K1420000103	1
18	big stop valve	K1420000203	1
19	valve support (apricot grey)	K1120000201P	1
20	compressor and accessory	K10000105	1
21	noise-absorption sponge (inside)	K61410056	1
22	noise-absorption sponge (outside)	K61410015	1
23	Partition board subassembly	K10440035	1
24	Electric Box assembly	K11800313	1
25	wire fix clamp	K61000003	1
26	wiring board	K33600008	1
27	insulation gasket	K60600004	1
28	wiring board support	K11230025	1
29	reactor	K34020001	1
30	temp sensor	K33000003	1
31	Electric Box	K20400006	1
32	radiator	K34810003	1
33	module support	K22240001	1
34	main board	K30050115	1
35	electric box cover	K20400014	1

ICHV018(24)I3A-YSI056(71)





No.	Description	Part Code		Qty
		ICHV018(24)I3A-YSH056(71)		
		KEB001W0620		
1	grill (apricot grey)	K21600005		1
2	front panel (apricot grey)	K11010007P		1
3	axial flow fan (original color)	K15010005		1
4	ODU fan motor	K16800026		1
5	left side panel (apricot grey)	K10600031P		1
6	chassis subassembly	K10400099P		1
7	motor support subassembly	K1120001701		1
8	top cover (apricot grey) (english)	K10450034P		1
9	condenser assembly	K10300191		1
10	temp sensor support	K61000007		1
11	mesh	K10860016		1
12	big handle (apricot grey)	K22210001		1
13	big handle guard board	K10620001		1
14	small stop valve	K1420000307		1
15	big stop valve	K1420000603		1
16	valve support subassembly	K11200007P		1
17	right side panel (apricot grey)	K1060003201P		1
18	compressor and accessory	K10000107		1
19	Partition board subassembly	K10440028		1
20	reactor	K34020003		1
21	noise-absorption sponge (outside)	K61410028		1
22	noise-absorption sponge (inside)	K61410027		1
23	Electric Box assembly	K11800360		1
24	temp sensor	K33000003		1
25	wiring board	K33600008		1
26	wire fix clamp	K61000003		1
27	insulation gasket	K60600004		1
28	wiring board support	K1123000501A		1
29	radiator	K34810008		1
30	module support	K22240002		1
31	Electric Box	K20400028		1
32	main board	K30050116		1
33	electric box cover	K20400029		1



**OMEGA**  
ENVIRONMENTAL  
TECHNOLOGIES LLC.

17702 Mitchell North, #101  
Irvine, CA. 92614 .USA  
Tel: 714 795 2830  
Fax: 714 966 1646  
info@otecomega.com  
www.otecomega.com

**OTEC**<sup>TM</sup>  
AIR CONDITIONING

**Showroom & Technology Center**  
11380 Interchange Circle North  
Miramar, FL 33025 .USA  
Tel: 305 901 1270  
Fax: 954 212 8280  
info@otecvrf.com  
www.otecvrf.com

IEWV(CHV)J3A-TM1Y0622