

OMEGA Floor Ceiling Inverter Split

SUBMITTAL DATA

208~230V/1/60Hz

Job: _____
 Location: _____
 Schedule No.: _____
 System Designation: _____

Engineer: _____
 Architect: _____
 Date: _____
 For: Reference Approval Review Construction

FEATURES

Outdoor

- Twin Rotary Inverter Compressor
- Compressor Overload Protection
- Super Quiet Operation
- Electronic Expansion Valve
- Copper Tubes with Aluminum Fins
- Wide Operation Temperature Range

Indoor

- Flexible Installation
- Washable Air Filter
- Auto-Swing Function
- Built in Water Pump
- Self-Diagnostic
- Multi-Protection



1. Specifications

IEFC - Floor Ceiling Indoor Unit

Model		V/Ph/Hz	18K	24K	36K	48K	60K	
			IEFC618K2A-GWG053	IEFC624K2A-GWG071	IEFC636K2A-GWG105	IEFC648K2A-GWG140	IEFC660K2A-GWG160	
Indoor power supply			230V /1/60	230V /1/60	230V /1/60	230V /1/60	230V /1/60	
Cooling	Capacity (IDU&ODU)	BTU	18000	24000	36000	48000	55000	
	Input (IDU&ODU)	W	1550	2350	3100	5325	5650	
	Rated current (IDU&ODU)	A	7.0	9.4	15.3	24.2	24.8	
	EER (IDU&ODU)	BTU/W	11.6	10.2	11.6	9.0	9.7	
	SEER (IDU&ODU)	BTU/W	16.0	16.0	16.0	16.0	16.0	
Heating	Capacity (IDU&ODU)	BTU	19000	24000	35000	48000	55000	
		W	5569	7034	10258	14068	16120	
	Input (IDU&ODU)	W	1600	2300	3200	5200	5300	
	Rated current (IDU&ODU)	A	7.1	10.2	15.3	23.1	22.2	
	COP (IDU&ODU)	W/W	3.5	3.1	3.2	2.7	3.0	
Input (IDU)		W	160	160	240	320	320	
Rated current (IDU)		A	0.7	0.7	1.0	1.5	1.5	
Max. power input (IDU)		W	195	195	290	360	480	
Max. current input (IDU)		A	0.8	0.8	1.2	1.8	1.9	
Indoor fan motor	Model		YSK110-59LD-4P17	YSK110-59LD-4P17	YSK110-180LD-4P2	YSK110-59LD-4P17	BR-KF-160LD/R1Y-LDBC.ZZ	
	Brand		Weiling	Weiling	Weiling	Weiling	Yongan	
	Power output	W	83	83	180	83	85	
	Capacitor	μF	3	3	5	3	5	
	Speed	r/min	1310/1139/1016	1310/1139/1016	1330/1230/1130	1310/1139/1016	1560/1430/1300	
	Insulation class		B	B	B	B	B	
Indoor coil	Number of rows		3	3	3	3	4	
	Tube pitch(a)xrow pitch(b)	mm	21*13.37	21*13.37	25*21.67	21*13.37	21*13.37	
	Fin spacing	mm	1.4	1.4	1.4	1.4	1.4	
	Fin type		Hydrophilic	Hydrophilic	Hydrophilic	Hydrophilic	Hydrophilic	
	Tube outside dia. and type	mm	Φ7 inner grooved copper	Φ7 inner grooved copper	Φ9.52 inner grooved copper	Φ7 inner grooved copper	Φ7 inner grooved copper	
	Coillength*height*width		mm	680*252*70	680*252*70	948*250*70	1318*252*70	1408*252*70
	Number of circuits			4	4	6	5	6
Indoor air flow(High speed)		m ³ /h	1200	1200	1800	2000	2750	
Indoor noise level		dB(A)	34/41	35/41	37/43	51/56	51-56	
Indoor unit	Dimension(W×H×D)	mm	1050*675*235	1050*675*235	1300*675*235	1670*675*235	1670*675*235	
	Packing(W×H×D)	mm	1130*765*330	1130*765*330	1380*765*325	1750*765*325	1750*770*325	
	Gross/Net weight	kg	31/26.5	31/26.5	38/33	46/40	49/43	
Max pressure		MPa	4.0	4.0	4.0	4	4.0	
Refrigerant type			R410A	R410A	R410A	R410A	R410A	
Refrigerant piping	Liquid side/Gas side	mm	Φ9.52/Φ15.88	Φ9.52/Φ15.88	Φ9.52/Φ19.05	Φ9.52/Φ19.05	Φ9.52/Φ19.05	
Drainage pipe		mm	DN25	DN25	DN25	DN25	DN25	
Standard controller			Remote controller & Wired controller & 24V Thermostat					
Operation temp		°C	16~32	16~32	16~32	16~32	16~32	

1. Specifications

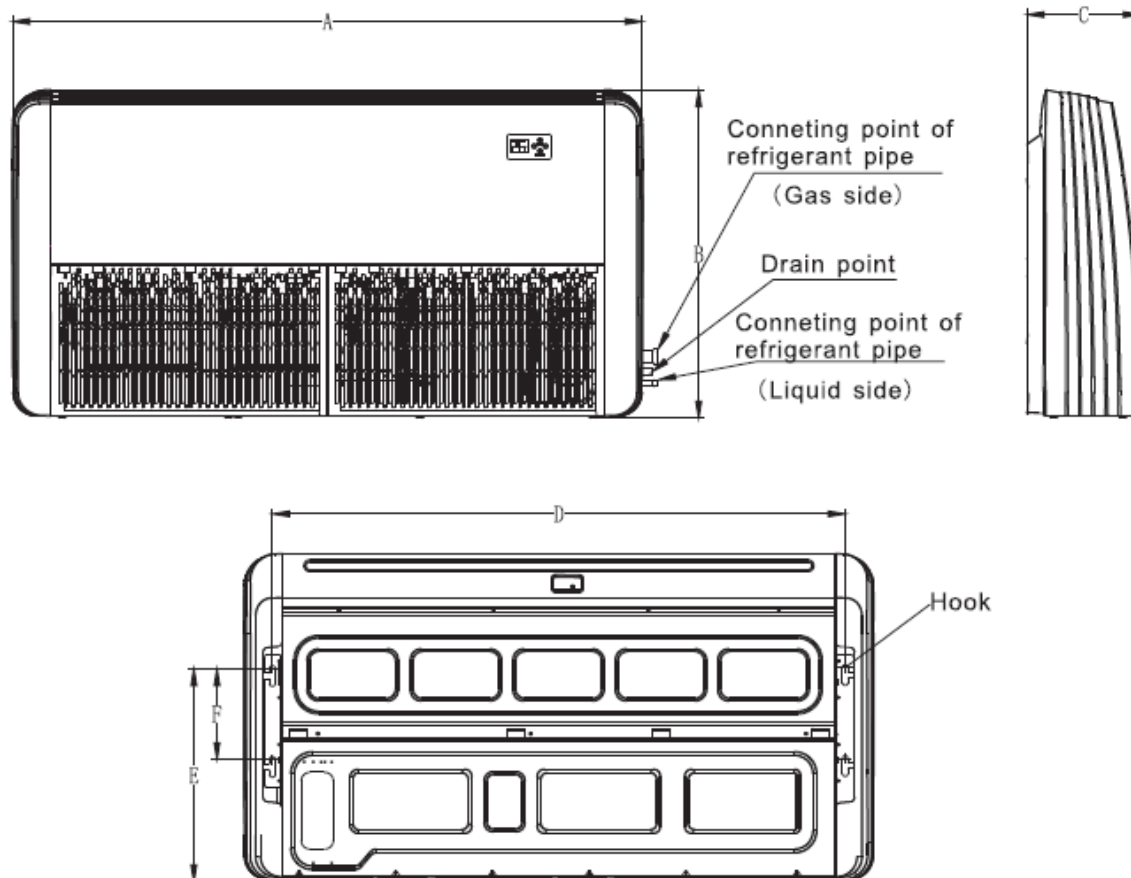
ICHE - Outdoor Unit

Model		18K	24K	36K	48K	60K	
		ICHE618K2A-GMG053	ICHE624K2A-GMG071	ICHE636K2A-GMG105	ICHE648K2A-GMG140	ICHE660K2A-GMG160	
Outdoor power supply		V/Ph/Hz	230V /1/60	230V /1/60	230V /1/60	230V /1/60	
Compressor	Model		SNB140FULMC	SNB200FGMMC	ATM240D57UMT	MNB40FEQMC	MNB40FEQMC
	Type		DC/Twin-rotary	DC/Twin-rotary	DC/Twin-rotary	DC/Twin-rotary	DC/Twin-rotary
	Brand		Mitsubishi	Mitsubishi	GMCC	Mitsubishi	Mitsubishi
	Frequency range	rps	10-130	10-120	10-120	10-120	10-120
	Capacity	W	4360	6175	7235	12900	12900
	Input	W	1300	1960	1945	3960	3960
	Rated Current (RLA)	A	4.4	6.7	8.5	14.8	14.8
	Refrigerant oil	ml	350	400	670	1100	1100
Outdoor fan motor	Model		YDK-75-6P2	YDK-75-6P2	YDK-105-6P2-1	YDK-230-6P2-2	YDK-230-6P2-2
	Brand		lvzhi	lvzhi	SINJUN	KB	KB
	Power output	W	75	75	105	230	230
	Power input	W	152	152	197	370	370
	Speed	r/min	890/620	890/620	880/680	880/600	880/600
	Insulation class		B	B	B	B	B
Outdoor coil	Number of rows		2	3	3	2	3
	Tube pitch(a)×rowpitch(b)	mm	21*13.37	21*13.37	21*13.37	21*19.4	21*19.4
	Fin spacing	mm	1.5	1.4	1.5	1.55	1.55
	Fin type		Hydrophilic	Hydrophilic	Hydrophilic	Hydrophilic	Hydrophilic
	Tube outside dia. and type	mm	7	7	7	7	7
			inner grooved copper	inner grooved copper	inner grooved copper	inner grooved copper	inner grooved copper
	Coil length×width×height	mm	790*651*26.74	784*651*40.11	1000*756*40.11	1145*798*38.8	1145*798*58.2
	Number of circuits		4	7	6	11	11
Outdoor air flow(High speed)		m ³ /h	3300	3300	4200	5500	6000
Outdoor noise level(High speed)		dB(A)	54	54	56	57	57
Outdoor unit	Dimension(W×D×H)	mm	935*383*702	935*383*702	1032*445*810	1100*528*870	1100*528*870
	Packing(W×D×H)	mm	975*495*875	975*495*875	1075*495*875	1140*540*965	1140*540*965
	Gross/Net weight	kg	45.5/42	49/45.5	65/60	85/75	90/80
Refrigerant type/quantity		g	1800	2000	3000	3300	3600
Throttle part			Cooling: EXV Heating:EXV	Cooling: EXV Heating:EXV	Cooling: EXV Heating:EXV+ PISTON	Cooling: EXV Heating:EXV+ PISTON	Cooling: EXV Heating:EXV+ PISTON
Design pressure		MPa	4.0	4.0	4.0	4.0	4.0
Max. pressure		MPa	4.5	4.5	4.5	4.5	4.5
Refrigerant piping	Liquid side/Gas side	mm	φ9.52/φ15.88	φ9.52/φ15.88	φ9.52/φ19.05	φ9.52/φ19.05	φ9.52/φ19.05
	Max. pipe length	m	30	30	30	30	30
	Max. high drop	m	10	10	10	10	10
Ambient temp (ODU)	Cooling	°C	16~46	16~46	16~46	16~46	16~46
	Heating	°C	-7~30	-7~30	-7~30	-7~30	-7~30

2. Dimensional Drawings

IEFC - Floor Ceiling Indoor Unit

Unit:mm



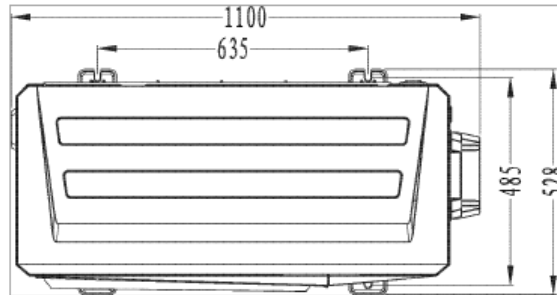
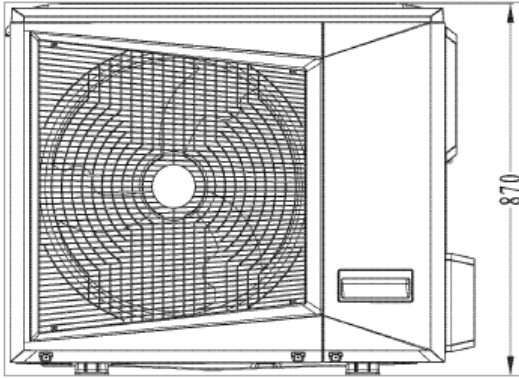
Model(kBtu/h)	A(mm)	B(mm)	C(mm)	D(mm)	E(mm)	F(mm)
18~24	1050	675	235	933	440	188
36	1300	675	235	1185	440	188
48~60	1670	675	235	1553	440	188

2. Dimensional Drawings

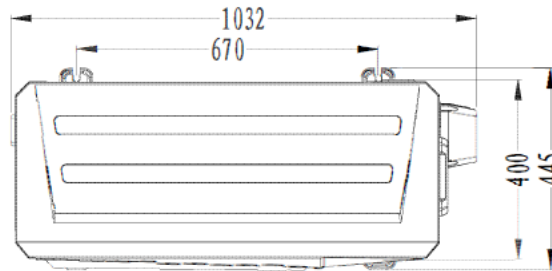
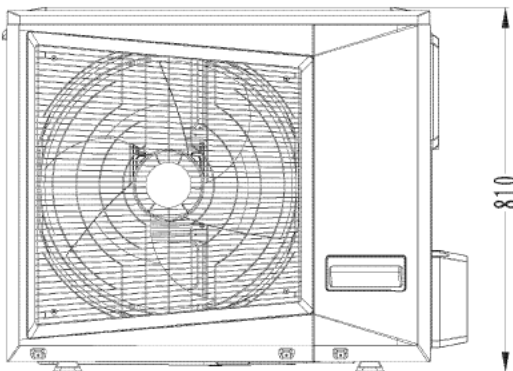
ICHE - Outdoor Unit

Unit:mm

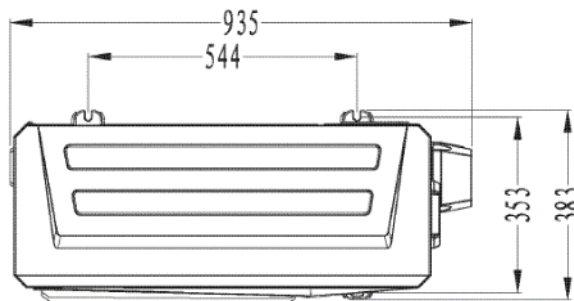
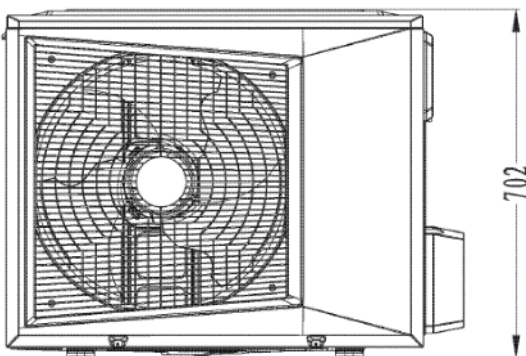
Applicable for models of ICHE648(60)K2A-GMG140(160)



Applicable for models of ICHE636K2A-GMG105



Applicable for models of ICHE624(18)K2A-GMG053(71)



3. Electrical Characteristics

Electrical Data - ICHE & IEFC

Floor Ceiling - IEFC

Model	Power Supply ¹					
	Hz	Volts	Min.	Max.	FLA	MOCP
			volts	volts		
IEFC618K2A-GWG053	60Hz	208-230	187	253	0.6	5
IEFC624K2A-GWG071	60Hz	208-230	187	253	1.0	5
IEFC636K2A--GWG105	60Hz	208-230	187	253	1.0	5
IEFC648K2A-GWG140	60Hz	208-230	187	253	1.0	5
IEFC660K2A-GWG160	60Hz	208-230	187	253	1.4	5

Outdoor Unit - ICHE

Model	Power Supply ¹						Compressor
	Hz	Volts	Min.	Max.	MCA	MOCP	RLA
			volts	volts			
ICHE618K2A-GMG053	60Hz	208-230	187	253	6.4	10	4.4
ICHE624K2A-GMG071	60Hz	208-230	187	253	9.6	15	6.7
ICHE636K2A-GMG105	60Hz	208-230	187	253	12.2	20	8.5
ICHE648K2A-GMG140	60Hz	208-230	187	253	20.7	35	14.8
ICHE660K2A-GMG160	60Hz	208-230	187	253	20.7	35	14.8

Abbreviations:

MCA: Minimum Circuit Amps; MOCP: Maximum Fuse Amps; RLA: Rated Load Amps; FLA: Full Load Amps