

OMEGA Air Handler Inverter Split

SUBMITTAL DATA

208~230V/1/60Hz

Job: _____
 Location: _____
 Schedule No.: _____
 System Designation: _____

Engineer: _____
 Architect: _____
 Date: _____
 For: Reference Approval Review Construction

FEATURES

Outdoor

- Multi-Protection
- Compressor Overload Protection
- Super Quiet Operation
- Anti-Freezing Protection
- Copper Tubes with Aluminum Fins
- Discharge Temperature Protection

Indoor

- Cooling and Heating System
- Durable non Corrosive Plastic Drain Pans
- Primary and Secondary Drainage Design
- Accessible Blower Assembly
- Direc Drive Motor
- Horizontal & Vertical Installation



1. Specifications

SEUA - Air Handler Indoor Unit

Model		SEUA418S2A-GNE053A	SEUA424S2A-GNE070A	SEUA430S2A-GNE090A
Power supply		V/Ph/Hz	208~230V/1N/60Hz	208~230V/1N/60Hz
Cooling	Capacity	Btu/h	18000	24000
	SEER	Btu/h.W	14.00	14.00
Heating	Capacity	Btu/h	17200	22200
	HSPF	Btu/h.W	8.20	8.20
Indoor external static pressure		Pa	25	25
Throttle type			TXV	TXV
Indoor coil	Number of row		3(row)×2(piece)	4(row)×2(piece)
	Tube pitch(a)×row pitch(b)	in	0.83×0.53	0.83×0.53
	Fin spacing	in	1/16	1/16
	Fin material		Hydrophilic	Hydrophilic
	Tube outside diameter	in	Φ 0.276	Φ 0.276
	Tube material		inner grooved	inner grooved
	Coil length x height x width	in	17 7/16×14 7/8×1 37/64	17 7/16×16 17/32×2 7/64
	Number of circuit		6	8
Indoor fan motor	Brand		Kangbao	Kangbao
	Type		AC	AC
	Input	W	180	206
	Output	W	100	135
	Capacitor	μF	6	6
	Speed (Hi/Me/Lo)	rpm	440/390/340	570/530/490
blower	diameter	in	12 5/16	12 5/16
	width	in	12 29/32	12 29/32
Indoor air flow		CFM	723/610/500	938/804/738
Indoor noise level		dB(A)	40	42
Indoor dimension	Unit (WxHxD)		in	19-2/3×45-3/4×22
			mm	500×1162×560
	Packing (WxHxD)		in	22-5/6×47-5/8×25-3/5
			mm	580×1210×650
	Net / Gross weight		kg	56/61
			lbs	123/134

1. Specifications

SEUA - Air Handler Indoor Unit

Model			SEUA436S2A-GNE105A	SEUA442S2A-GNE125A	SEUA448S2A-GNE140A	SEUA460S2A-GNE160A	
Power supply		V/Ph/Hz	208~230V/1N/60Hz	208~230V/1N/60Hz	208~230V/1N/60Hz	208~230V/1N/60Hz	
Cooling	Capacity	Btu/h	34500	42000	48000	56500	
	SEER	Btu/h.W	14.00	14.00	14.00	14.00	
Heating	Capacity	Btu/h	33500	40000	46000	55000	
	HSPF	Btu/h.W	8.30	8.30	8.30	8.30	
Indoor external static pressure		Pa	37	37	50	50	
Throttle type			TXV	TXV	TXV	TXV	
Indoor coil	Number of row		4(row)×2(piece)	4(row)×2(piece)	5(row)×2(piece)	5(row)×2(piece)	
	Tube pitch(a)×row pitch(b)	in	0.83×0.53	0.83×0.53	0.83×0.53	0.83×0.53	
	Fin spacing	in	1/16	1/16	1/16	1/16	
	Fin material		Hydrophilic	Hydrophilic	Hydrophilic	Hydrophilic	
	Tube outside diameter	in	Φ 0.276	Φ 0.276	Φ 0.276	Φ 0.276	
	Tube material		inner grooved	inner grooved	inner grooved	inner grooved	
	Coil length x height x width	in	17 7/16×16 17/32×2 7/64	17 7/16×16 17/32×2 7/64	19 27/32×21 1/2×2 5/8	19 27/32×21 1/2×2 5/8	
Number of circuit			8	8	12	12	
Indoor fan motor	Brand		Kangbao	Kangbao	Kangbao	Kangbao	
	Type		AC	AC	AC	AC	
	Input	W	398	463	578	578	
	Output	W	220	270	300	300	
	Capacitor	μF	10	10	12	12	
blower	Speed (Hi/Me/Lo)	rpm	805/730/690	839/723/610	920/870/820	920/870/820	
	diameter	in	12 5/16	12 5/16	12 5/16	12 5/16	
	width	in	12 29/32	12 29/32	12 29/32	12 29/32	
Indoor air flow		CFM	1376/1235/1161	1562/1385/1208	1695/1574/1434	1695/1574/1434	
Indoor noise level		dB(A)	51	54	55	55	
Indoor dimension	Unit (WxHxD)		in	19-2/3×45-3/4×22	19-2/3×45-3/4×22	22×53-1/8×24	22×53-1/8×24
			mm	500×1162×560	500×1162×560	560×1350×623	560×1350×623
	Packing (WxHxD)		in	22-5/6×47-5/8×25-3/5	22-5/6×47-5/8×25-3/5	28×54-3/4×25-1/5	28×54-3/4×25-1/5
			mm	580×1210×650	580×1210×650	710×1390×640	710×1390×640
	Net / Gross weight		kg	61/66	62/67	80/86	80/86
			lbs	134/146	137/148	176/190	176/190

1. Specifications

SCVC - Heat Pump Only Outdoor Unit

Model		SCVC418H2A-GHE053A	SCVC424H2A-GHE070A	SCVC430H2A-GHE090A
Outdoor power supply		V/Ph/Hz	230V/1N/60HZ	230V/1N/60HZ
Cooling	Capacity	Btu/h	17600	23600
	Input	W	1500	2020
	EER	Btu/h.W	11.70	12.20
	SEER (AHRI Certified)	Btu/h.W	13-14	13-14
heating	Capacity	Btu/h	17200.00	22200.00
	HSPF (AHRI Certified)	Btu/h.W	8.20	8.20
Max. input consumption		W	1875.00	2525.00
Max. current		A	8.58	11.56
Compressor	Brand		Highly	Highly
	Model		ASL145DG-C7EU	ASH201DG-C8LU1L
	Type		rotary	rotary
	Capacity	W	4240	5970
	Input	W	1390	1950
	Rated current(RLA)	A	6.10	8.7
	Locked rotor Amp(LRA)	A	33	44
	Thermal protector	uf	40	40
	Refrigerant oil	ml	480	570
Outdoor fan motor	Brand		chigo	chigo
	Model		S.TB-DQ-YDK-60-6P2-AL	S.TB-DQ-YDK-85-6P2-AL
	Input	W	145	178
	Output	W	60	85
	Capacitor	μF	6.00	6.00
Outdoor coil	Speed	rpm	870	970
	Number of row		1	2
	Fin spacing	in	0.055	0.055
	Fin material		Hydrophilic Aluminium Fin	Hydrophilic Aluminium Fin
	Tube outside diameter	in	Φ 0.276	Φ 0.276
	Tube material		Inner Grooved	Inner Grooved
	Coil length x height x width	in	56.22x23.15x0.53	56.22x23.15x1.05
Number of circuit		3	6	
Outdoor air flow	CFM	1500	1700	
Outdoor noise level	dB(A)	60	60	
Outdoor dimension	Unit (WxHxD)	in	21-4/5x25x21-4/5	21-4/5x25x21-4/5
		mm	554x633x554	554x633x554
	Packing (WxHxD)	in	22-3/5x25-9/10x22-3/5	22-3/5x25-9/10x22-3/5
		mm	575x660x575	575x660x575
	Net / Gross weight	kg	47/49	55/57
		lbs	104/108	121/126
Refrigerant	Type		R410A	R410A
	Charging	oz	70.55	97.00
Refrigerant pipe	Liquid side	in	Φ3/8	Φ3/8
	Gas side	in	Φ3/4	Φ3/4
	Max. refrigerant pipe length	ft	50	50
	Max. difference in level	ft	26	26
Design pressure	MPa	4.0/1.2	4.0/1.2	
Max pressure	MPa	4.20	4.20	
Operation temp range - Cooling	°F	64-109	64-109	

1. Specifications

SCVC - Heat Pump Only Outdoor Unit

Model		SCVC436H2A-GHE105A	SCVC442H2A-GHE125A
Outdoor power supply		V/Ph/Hz	230V/1N/60HZ
Cooling	Capacity	Btu/h	34000
	Input	W	2910
	EER	Btu/h.W	11.70
	SEER (AHRI Certified)	Btu/h.W	13-14
heating	Capacity	Btu/h	33500.00
	HSPF (AHRI Certified)	Btu/h.W	8.30
Max. input consumption		W	3637.50
Max. current		A	16.65
Compressor	Brand		Highly
	Model		ASH280DG-C8DU
	Type		rotary
	Capacity	W	8260
	Input	W	2700
	Rated current(RLA)	A	11.9
	Locked rotor Amp(LRA)	A	60
	Thermal protector	uf	70
Refrigerant oil	ml	570	1280
Outdoor fan motor	Brand		chigo
	Model		S.TB-DQ-YDK-110-8P2-AL
	Input	W	207
	Output	W	110
	Capacitor	μF	6.00
	Speed	rpm	850
Outdoor coil	Number of row		2
	Fin spacing	in	0.055
	Fin material		Hydrophilic Aluminium Fin
	Tube outside diameter	in	Φ 0.276
	Tube material		Inner Grooved
	Coil length x height x width	in	84.65×23.15×1.05
	Number of circuit		6
Outdoor air flow	CFM	2800	4000
Outdoor noise level	dB(A)	61	63
Outdoor dimension	Unit (WxHxD)	in	29-1/7×25×29-1/7
		mm	740×633×740
	Packing (WxHxD)	in	29-9/10×25-9/10×29-9/10
		mm	760×660×760
	Net / Gross weight	kg	70/74
lbs		156/163	
Refrigerant	Type		R410A
	Charging	oz	123.46
Refrigerant pipe	Liquid side	in	Φ3/8
	Gas side	in	Φ3/4
	Max. refrigerant pipe length	ft	50
	Max. difference in level	ft	26
	Design pressure	MPa	4.0/1.2
Max pressure	MPa	4.20	
Operation temp range - Cooling	°F	64-109	

1. Specifications

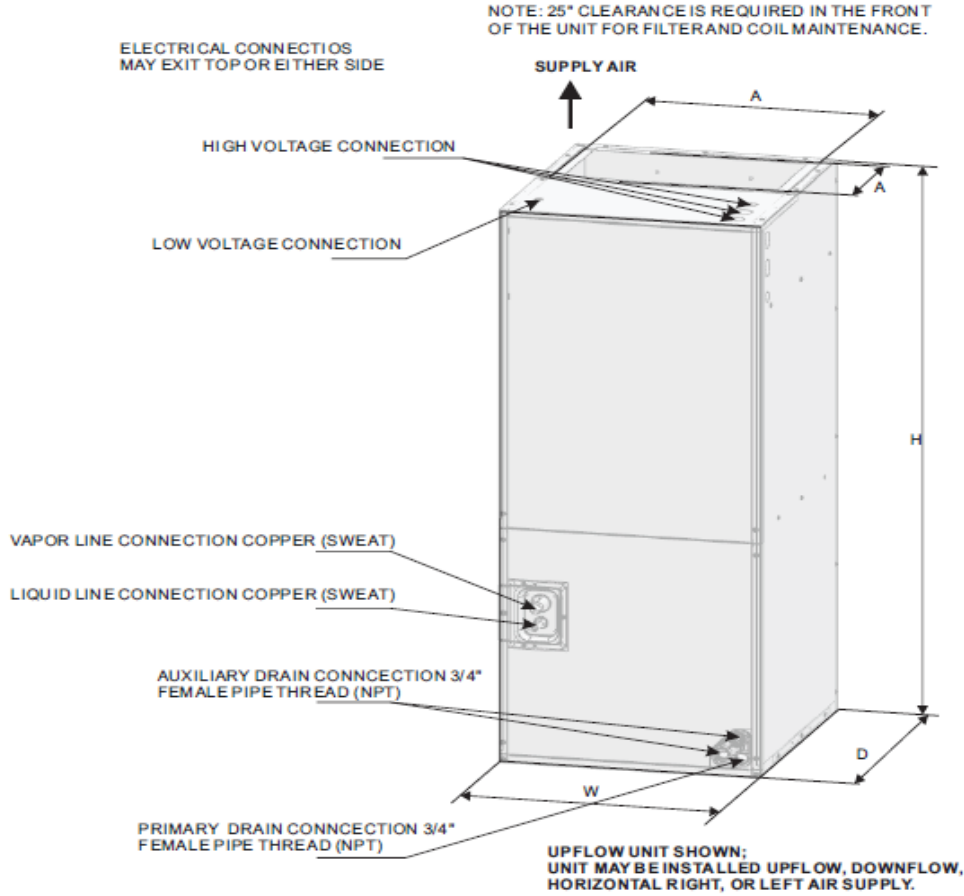
SCVC - Heat Pump Only Outdoor Unit

Model			SCVC448H2A-GHE140A	SCVC460H2A-GHE160A
Outdoor power supply		V/Ph/Hz	230V/1N/60HZ	230V/1N/60HZ
Cooling	Capacity	Btu/h	46000	56000
	Input	W	3950	4900
	EER	Btu/h.W	11.20	11.20
	SEER (AHRI Certified)	Btu/h.W	13-14	13-14
heating	Capacity	Btu/h	46000.00	55000.00
	HSPF (AHRI Certified)	Btu/h.W	8.30	8.30
Max. input consumption		W	4937.50	6125.00
Max. current		A	22.60	28.03
Compressor	Brand		LG	LG
	Model		ABG042KAC	ABG051KAC
	Type		scroll	scroll
	Capacity	W	12309	14974
	Input	W	3962	4722
	Rated current(RLA)	A	17.3	21.0
	Locked rotor Amp(LRA)	A	108	128
	Thermal protector	uf	70	70
Refrigerant oil	ml	1280	1280	
Outdoor fan motor	Brand		xinjun	xinjun
	Model		S.TB-DQ-YDK-230-6P2	S.TB-DQ-YDK-230-6P2
	Input	W	510	510
	Output	W	230	230
	Capacitor	μF	12.00	12.00
	Speed	rpm	1095	1095
Outdoor coil	Number of row		2	2.7
	Fin spacing	in	0.055	0.055
	Fin material		Hydrophilic Aluminium Fin	Hydrophilic Aluminium Fin
	Tube outside diameter	in	Φ 0.276	Φ 0.276
	Tube material		Inner Grooved	Inner Grooved
	Coil length x height x width	in	84.65×31.48×1.05	84.65×31.48×1.05
	Number of circuit		10	8
Outdoor air flow		CFM	4000	4000
Outdoor noise level		dB(A)	63	63
Outdoor dimension	Unit (WxHxD)	in	29-1/7×32-7/8×29-1/7	29-1/7×32-7/8×29-1/7
		mm	740×835×740	740×835×740
	Packing (WxHxD)	in	29-9/10×34-2/5×29-9/10	29-9/10×34-2/5×29-9/10
		mm	760×875×760	760×875×760
	Net / Gross weight	kg	94/98	101/104
		lbs	207/216	222/229
Refrigerant	Type		R410A	R410A
	Charging	oz	169.32	201.06
Refrigerant pipe	Liquid side	in	Φ3/8	Φ3/8
	Gas side	in	Φ7/8	Φ7/8
	Max. refrigerant pipe length	ft	66	66
	Max. difference in level	ft	33	33
	Design pressure	MPa	4.0/1.2	4.0/1.2
Max pressure		MPa	4.20	4.20
Operation temp range - Cooling		°F	64-109	64-109

2. Dimensional Drawings

SEUA - Air Handler Indoor Unit

Unit:mm



DIMENSIONAL DATA

Fig.1 DIMENSIONS

MODEL SIZE	Dimensions inch [mm]				
	UNIT HEIGHT "H" IN. [mm]	UNIT WIDTH "W" IN. [mm]	UNIT LENGTH "D" IN. [mm]	SUPPLY DUCT "A" IN [mm]	LIQUID LINE/ VAPOR LINE IN
18K	45-3/4" [1162]	19-2/3" [500]	22" [560]	17-7/8" [454]	3/8" / 3/4"
24K	45-3/4" [1162]	19-2/3" [500]	22" [560]	17-7/8" [454]	3/8" / 3/4"
30K	45-3/4" [1162]	19-2/3" [500]	22" [560]	17-7/8" [454]	3/8" 3/4"
36K	45-3/4" [1162]	19-2/3" [500]	22" [560]	17-7/8" [454]	3/8" 3/4"
42K	45-3/4" [1162]	19-2/3" [500]	22" [560]	17-7/8" [454]	3/8" 3/4"
48K	53-1/8" [1350]	22" [560]	24-1/2" [623]	19-1/2" [496]	3/8" 7/8"
60K	53-1/8" [1350]	22" [560]	24-1/2" [623]	19-1/2" [496]	3/8" / 7/8"

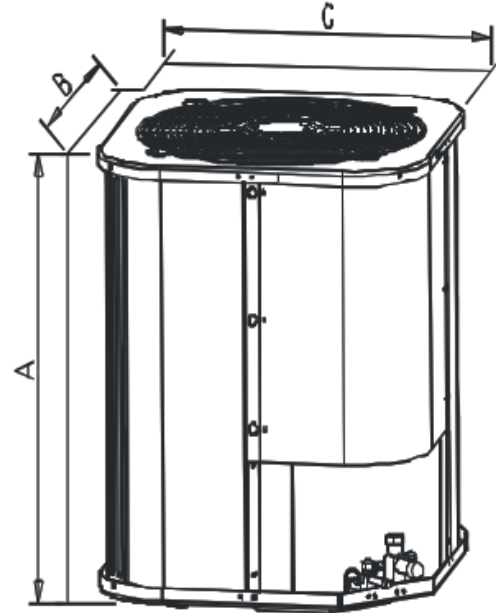
2. Dimensional Drawings

SCVC - Heat Pump Only Outdoor Unit

Unit:mm

All dimensions are in mm. They are subject to change without notice. Certified dimensions will be provided upon request.

Unit Model	Dimensions(mm)			Refrigerant Connection Line Size(mm)			
	A	B	C	Liquid(Φ)		Vapor(?)	
				LF	RF	LF	RF
18	633	554	554	9.52		19.05	
24(30)	633	554	554				
30	633	554	554				
36	633	740	740				
42	835	740	740				
48	835	740	740				
60	835	740	740			22	



NOTE: LF means cooling only model; RF means heat pump model.

3. Electrical Characteristics

Electrical Data - SCVC & SEUA

Air Handler - SEUA

Model	Power Supply ¹					
	Hz	Volts	Min.	Max.	FLA	MOCP
			volts	volts		
SEUA418S2A-GNE053A	60Hz	208-230	187	253	0.82	5
SEUA424S2A-GNE070A	60Hz	208-230	187	253	0.94	5
SEUA430S2A-GNE090A	60Hz	208-230	187	253	1.31	5
SEUA436S2A-GNE105A	60Hz	208-230	187	253	1.81	5
SEUA442S2A-GNE125A	60Hz	208-230	187	253	2.10	5
SEUA448S2A-GNE140A	60Hz	208-230	187	253	2.63	5
SEUA460S2A-GNE160A	60Hz	208-230	187	253	2.63	5

Heat Pump Only Outdoor Unit - SCVC

Model	Power Supply ¹						Compressor
	Hz	Volts	Min.	Max.	MCA	MOCP	RLA
			volts	volts			
SCVC418H2A-GHE053A	60Hz	208-230	187	253	8.4	10	6.10
SCVC424H2A-GHE070A	60Hz	208-230	187	253	11.8	20	8.70
SCVC430H2A-GHE090A	60Hz	208-230	187	253	14.1	20	10.20
SCVC436H2A-GHE105A	60Hz	208-230	187	253	16.7	25	11.90
SCVC442H2A-GHE125A	60Hz	208-230	187	253	21.1	35	15.20
SCVC448H2A-GHE140A	60Hz	208-230	187	253	24.3	40	17.30
SCVC460H2A-GHE160A	60Hz	208-230	187	253	28.9	45	21.00

Abbreviations:

MCA: Minimum Circuit Amps; MOCP: Maximum Fuse Amps; RLA: Rated Load Amps; FLA: Full Load Amps



17702 Mitchell North, #101
Irvine, CA. 92614 .USA
Tel: 714 795 2830
Fax: 714 966 1646
info@otecomega.com
www.otecomega.com



Showroom & Technology Center
11380 Interchange Circle North
Miramar, FL 33025 .USA
Tel: 305 901 1270
Fax: 954-212-8280
info@otecomega.com
www.otecomega.com



is a product of **OMEGA** Environmental Technologies LLC.