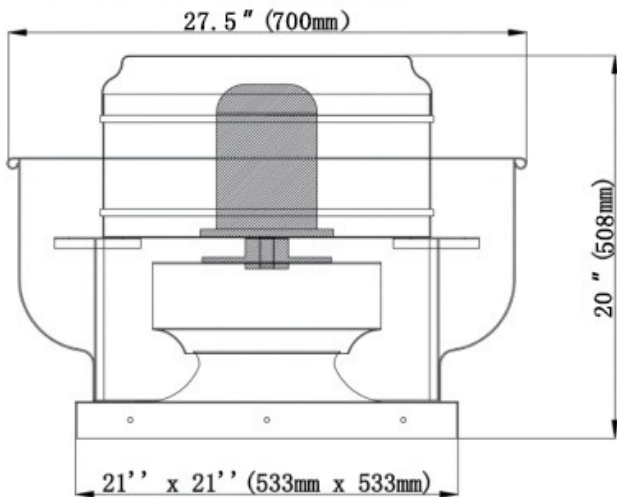


# Roof Exhaust Fan

## Description and Applications

For general clean air applications, restaurant grease, cooking, and smoke control. Specifically designed to discharge air directly outside the equipment mounting surface. The equipment cover can be manually opened for regular maintenance. Air discharges directly upwards away from the roof surface in roof models, or outward in wall models.

## Specifications



Model	Power	AC Motor 1 $\phi$	AC Motor 3 $\phi$	Fan Speed	Impeller Dia
Up Blast 08	0.5HP	220V/60Hz	220V/60Hz	1720RPM	12.5inch
	0.5HP		380V/60Hz		

