

# OMEGA Inverter Mini-Split

## SUBMITTAL DATA

**220-240V/1/50Hz**

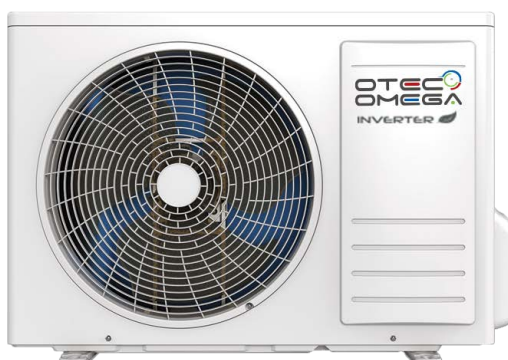
### FEATURES

- DC Inverter Rotary Compressor
- Corrosion-Resistant Cabinet
- High-Efficiency Coils
- Soft Start for all Models
- Super Quiet Operation
- Low-Voltage Startup



## 1. Specifications

### ICHV Mini Split ODU



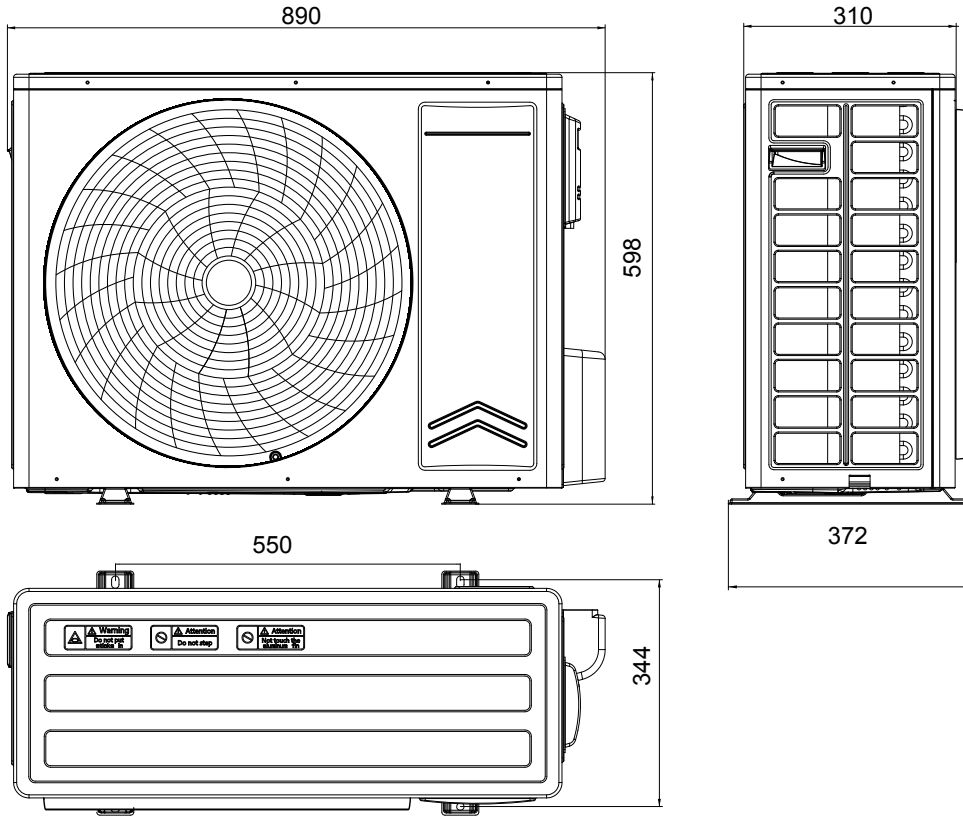
OUTDOOR UNIT			
MODEL NO.	ICHV	018I 3A-YSH056	024I 3A-YSH071
Compressor Type		Rotary	
Outdoor Fan	No of Fans	1	1
	Noise Level (dbA)	53	54
Coil Type:		Grooved Copper Tubes - Aluminum Slit Fin	
Electrical	Voltage	220~240-1Ph @ 50Hz	
	Range (min-max)	min 187~max 253	
	Compressor ( RLA )	6.1	8.1
	Cooling Pwr. Input Nom. (W)	1735	2120
	Min. Circuit Amps (MCA)	7.81	10.3
	Max Fuse Amps (MOCP)	13.9	18.4
Refrigerant R410A ( oz./kgs. )		30.7 / 0.87	45.9 / 1.3
Refrigerant Connections inches (mm)	Type	Flare	
	Liquid	1/4 (6.35)	1/4 (6.35)
	Suction	1/2 (12.7)	5/8 (15.9)
Max Pipe Distance ft. (m)	Height	33 (10)	
	Length	82 (25)	
Dimensions inches (mm)	Height	23 5/8 (598)	23 5/8 (598)
	Width	35 (890)	35 (890)
	Depth	14 5/8 (372)	14 5/8 (372)
Net Weight	lbs (kgs)	79.4 (36)	88.2 (40)

#### NOTES

1. The cooling conditions: indoor side 27°C(80.6°F) DB, 19°C(60°F)WB outdoor side 35°C(95°F) DB.
2. The heating conditions: indoor side 20°C(68°F) DB, 15°C(44.6°F)WB outdoor side 7°C(42.8°F)DB.
3. Sound level: measured at a point 1 m in front of the unit at a height of 1.5 m. During actual operation, these values are normally somewhat higher as a result of ambient conditions.
4. The company reserves the right to revise product technical parameter without having to notify the clients individually.

1. Dimmensions

Models: ICHV018I3A-YSH056  
 ICHV024I3A-YSH071



# OMEGA High Wall Air Conditioner

## SUBMITTAL DATA

**220-240V/1/50Hz**

### FEATURES

- Turbo Cooling Function
- Washable High-Density Filter
- Super Quiet
- Auto Swing (Louver)
- Up to 18 SEER in Cooling Mode
- Anti-Mildew Dry Technology



**1. Specifications**
**IEWV Mini Split IDU**

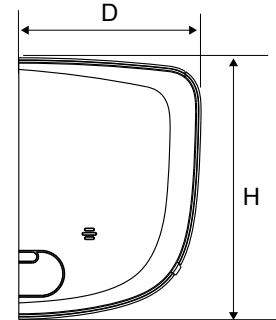
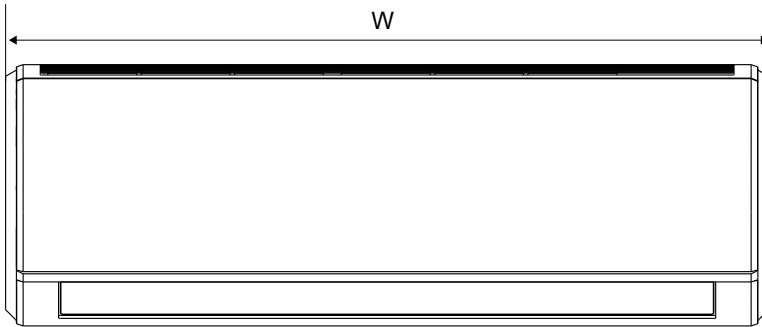

<b>INDOOR UNIT</b>			
<b>MODEL NO.</b>	<b>IEWV</b>	<b>018I 3A-YWH056</b>	<b>024I 3A-YWH071</b>
Cooling Capacity BTU/h (kW)	Nominal	18,000 (5.6)	24,000 (7.1)
	Minimum	3,410 (1.0)	4,775 (1.4)
	Maximum	22,860 (6.7)	23,885 (7.0)
Efficiency	SEER	17.4	17.4
Refrigerant Control		Capillary Tube	
Fan	Type	Cross-Flow Fan	
	Speed	4	
	Air Flow CFM (m <sup>3</sup> /hr) - Hi	500 (850)	500 (850)
	Noise Level (dbA) Hi/Lo	47/30	48/31
	Motor (W)	40	40
Coil Type:		Grooved Copper Tubes - Aluminum Slit Fin	
Air Filter		Cleanable Cartridge Type	
Electrical	Voltage	220~240V - 1Ph @ 50Hz	
	Range	min 187~max 253	
	FLA	0.18	0.18
Controls		LCD Wireless Remote Control	
Refrigerant Connections inches (mm)		See Outdoor Unit Data	
Drain Connections inches (mm)		1/2 (12)	
Dimensions inches (mm)	Height	11 7/8 (302)	11 7/8 (302)
	Width	38 3/8 (972)	38 3/8 (972)
	Depth	8 7/8 (224)	8 7/8 (224)
Net Weight	lbs (kgs)	29.8 (13.5)	29.8 (13.5)

**NOTES**

1. The cooling conditions: indoor side 27°C(80.6°F) DB, 19°C(60°F)WB outdoor side 35°C(95°F) DB.
2. The heating conditions: indoor side 20°C(68°F) DB, 15°C(44.6°F)WB outdoor side 7°C(42.8°F)DB.
3. Sound level: measured at a point 1 m in front of the unit at a height of 1.5 m. During actual operation, these values are normally somewhat higher as a result of ambient conditions.
4. The company reserves the right to revise product technical parameter without having to notify the clients individually.

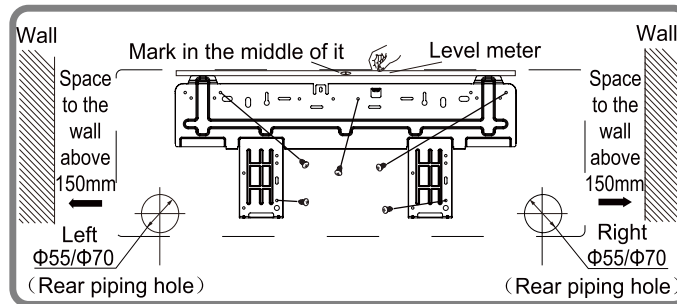
## 1. Dimmensions

Models: ICHV018I3A-YSH056  
 ICHV024I3A-YSH071



Model	W(mm)	H(mm)	D(mm)
IEWV018I3A-YWH053	972	302	224
IEWV024I3A-YWH071	972	302	224

Dimension: 972x302x224



**OMEGA**  
 ENVIRONMENTAL  
 TECHNOLOGIES LLC.

17702 Mitchell North, #101  
 Irvine, CA. 92614 .USA  
 Tel: 714 795 2830  
 Fax: 714 966 1646  
 info@omegavrf.com  
 www.omegavrf.com

**OTEC**  
 AIR CONDITIONING

**Showroom & Technology Center**  
 11380 Interchange Circle North  
 Miramar, FL 33025 .USA  
 Tel: 305 901 1270  
 Fax: 954 212 8280  
 info@otecvrf.com  
 wwwotecvrf.com