

OMEGA Certified Inverter Mini Split

SUBMITTAL DATA

115V/1/60Hz

Job: _____
 Location: _____
 Schedule No.: _____
 System Designation: _____

Engineer: _____
 Architect: _____
 Date: _____
 For: Reference Approval Review Construction

FEATURES

Outdoor

- DC Inverter Rotary Compressor
- Super Quiet Operation
- Corrosion-Resistant Cabinet
- Over Current Protection
- High-Efficiency Coils with Gold Fin
- Discharge High Temperature Protection

Indoor

- Cooling Only System
- Low Temperature Cooling
- Turbo Cooling Function
- Up to 19 SEER in Cooling Mode
- Wifi Capable
- Strong Dehumidification



1. Specifications

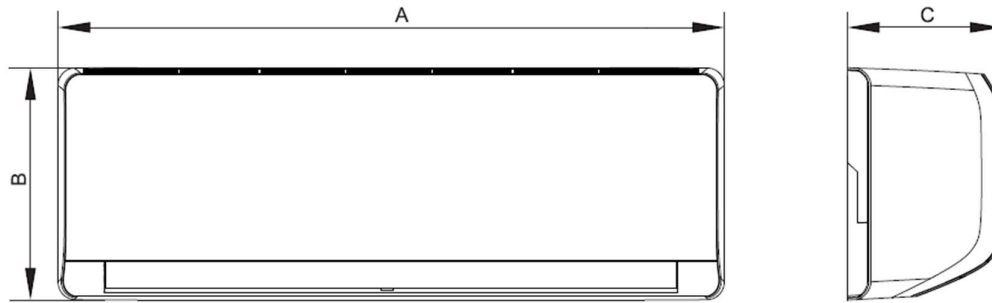
IEWB - Indoor Unit & ICHB - Outdoor Unit

OMEGA Models	Outdoor Unit	Model	ICHB00911A-CTJ026GFA	ICHB01211A-CTJ035GFA
	Indoor Unit	Model	IEWB00911A-CWJ026CWA	IEWB01211A-CWJ035CWA
Indoor power supply		V/Ph/Hz	115-1-60	
Cooling	Capacity	Tons	0.8	1.0
		Btu/h	9000	11800
	Capacity MIN -	Btu/h	3400-1130	3450-1280
	MAX EER		0 11.00	0 10.60
SEER			19.0	19.0
Energy Star			NO	NO
Minimum circuit ampacity (MCA)		A	11.0	15.0
Maximum current rating of overcurrent protection (MOP) Max.fuse		A	15.0	15.0
Compressor	Type		DC/Rotary	DC/Rotary
	Model		ASN98D22UFZ	ASN98D22UFZ
	Brand		GMCC	GMCC
	Capacity	kW	3.095	3.095
	Power input	W	790	790
	Current input	A	5.4	5.4
Outdoor fan motor	Type		DC	DC
	Model		DRN-310-34-8-	DRN-310-34-8-1
	Brand		1 Weilin	Weiling
	Power input	W	g 40	50
	Current input	A	0.8	0.8
	Power output	W	34	34
	Capacitor	μF	-	-
	Speed	r/	800/650/500	900/650/500
Insulation class		min	E	E
Outdoor coil	Number of rows		1	1
	Fin type		Hydrophilic	Hydrophilic
	Tube type		inner grooved	inner grooved
Refrigerant	Type		R410A	R410A
	Charge	g/oz	830/29.3	830/29.3
Throttle part			Capillary	Capillary
Minimum circuit ampacity (MCA)		A	0.4	0.4
Maximum current rating of overcurrent protection (MOP) Max.fuse		A	1	1
		A	5	5
Indoor fan motor	Model		YDK-20-4P1-1	YDK-20-4P1-1
	Brand		Weiling	Weiling
	Power input	W	40	45
	Current input	A	0.6	0.6
	Power output	W	13	13
	Capacitor	μF	-	-
	Insulation class		E	E
	RLA	A	0.3	0.3
Speed (H/M/L)	r/min	1180/1050/750	1220/1100/800	
Indoor coil	Number of rows		2	2
	Tube type		inner grooved	inner grooved
Outdoor air flow		CFM	1088	1176
Indoor air flow		CFM	300	380
Outdoor noise	power level	dB(A)	51	53
	pressure level		40	42
Indoor noise	power level (H)	dB(A)	39	42
Outdoor unit	Dimension(W*H*D)	mm	760*495*305	760*495*305
		in	29.92×19.49×12.01	29.92×19.49×12.01
	Packing(W*H*D)	mm	850×550×350	850×550×350
		in	33.46×21.65×13.78	33.46×21.65×13.78
	Net/Gross weight	kg	24/26	24/26
lbs		52.9/57.3	52.9/57.3	
Indoor unit	Dimension(W*H*D)	mm	715×295×198	864×300×200
		in	28.15×11.61×7.8	34.02×11.81×7.87
	Packing(W*H*D)	mm	785×370×285	950×380×290
		in	31.5×14.96×11.42	37.4×14.96×11.42
	Net/Gross weight	kg	8.5/10.5	9.5/11.5
lbs		18.7/23.2	20.9/25.4	
Refrigerant piping	Liquid side/Gas side	mm	Φ6.35-Φ9.52	Φ6.35-Φ9.52
		in	1/4-3/8	1/4-3/8
	Max. pipe length	ft (m)	82 (25)	82 (25)
Ambient temp	cooling	°C	0~50	0~50
		°F	32~122	32~122
Operation temp	cooling	°C	15.5~32	15.5~32
		°F	60~90	60~90

2. Dimensional Drawings

IEWB - Indoor Unit

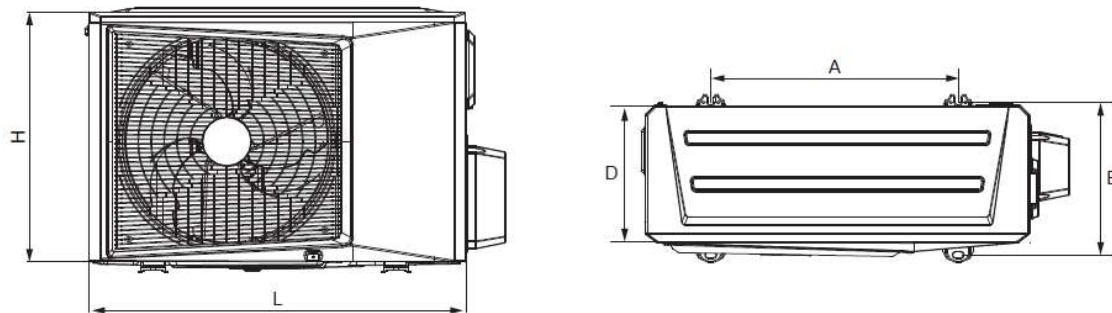
Unit:mm



Dimension	A(mm)	B(mm)	C(mm)
9K	715	295	198
12K	864	300	200
18K	972	320	215
24K	1080	335	226

ICHB - Outdoor Unit

Unit:mm



Model	ODU dimension(mm) L*H*D	Mounting dimension	
		A	B
9K/12K	735×475×250	453	280
18K	790×520×280	508	314
24K	848×670×345	544	345

3. Electrical Characteristics

Electrical Data - ICHB & IEWB

Cooling Only Indoor Unit - IEWB

Model	Power Supply ¹					
	Hz	Volts	Min.	Max.	FLA	MOCP
			volts	volts		
IEWB009J1A-CWJ026CWA	60Hz	115	104	127	0.18	5
IEWB012J1A-CWJ035CWA	60Hz	115	104	127	0.20	5

Cooling Only Outdoor Unit - ICHB

Model	Power Supply ¹					
	Hz	Volts	Min.	Max.	MCA	MOCP
			volts	volts		
ICHB009J1A-CTJ026GFA	60Hz	115	104	127	11.0	15.0
ICHB012J1A-CTJ035GFA	60Hz	115	104	127	15.0	15.0

Abbreviations:

MCA: Minimum Circuit Amps; MOCP: Maximum Fuse Amps; RLA: Rated Load Amps; FLA: Full Load Amps