

OMEGA Air Handler VRF

SUBMITTAL DATA

208~230V/1/60Hz

Job: _____
Location: _____
Schedule No.: _____
System Designation: _____

Engineer: _____
Architect: _____
Date: _____
For: Reference **Approval** **Review** **Construction**

FEATURES

- Horizontal & Vertical Installation
- Self Diagnosis Function
- Easy Sweat Connections
- Low Noise Design
- Auto Restart
- Fan Motor Overload Protection



Specifications

Indoor Unit (Models: VEUA024(36,60)Q0A)

Model			VEUA024Q2A-GCV071	VEUA036Q2A-GCV105	VEUA060Q2A-GCV160
BOM			820044600001	820044600002	820044600003
Power supply			208-230V/1N/60Hz	208-230V/1N/60Hz	208-230V/1N/60Hz
Capacity	Cooling	kW	7.1	10.5	16
	Heating	kW	8	11.5	18
Power Input		W	290	290	517
Fan motor	Model		YDK130-6G03	YDK130-6G03	YDK-350F-6P3
	Type		AC	AC	AC
	Brand		Kangbao	Kangbao	Kangbao
	Capacitor	μF	-	-	-
	Speed (Hi/Low)	r/min	910/780	910/780	930/880
Indoor coil	Number of rows		2	2	2
	Fin type		Hydrophilic Aluminum	Hydrophilic Aluminum	Hydrophilic Aluminum
	Tube diameter and type	mm	Ø7, Innergroove tube	Ø7, Innergroove tube	Ø7, Innergroove tube
Air flow (High speed)		m ³ /h	1500	1500	2500
External static pressure		Pa	25	37	50
Sound pressure level		dB(A)	51~54	51~54	57~60
Body	Dimension (W×H×D)	mm	774x520x460	774x520x460	970x550x500
	Packing (W×H×D)	mm	834x520x565	834x520x565	1030x560x595
	Net/Gross weight	kg	36/39	36/39	48/52
Refrigerant type			R410A	R410A	R410A
Throttle type			EXV	EXV	EXV
Design pressure		MPa	4.5	4.5	4.5
Liquid pipe / Gas pipe		mm	Ø9.52/ Ø15.88	Ø9.52/ Ø15.88	Ø9.52/ Ø15.88
Connecting wire	Power wire	mm ²	2.5*2+2.5(L≤20m)	2.5*2+2.5(L≤20m)	2.5*2+2.5(L≤20m)
			4*2+2.5(20m<L≤50m)	4*2+2.5(20m<L≤50m)	4*2+2.5(20m<L≤50m)
	Signal wire	mm ²	0.75*2 shield	0.75*2 shield	0.75*2 shield
Drainage water pipe (Outer diameter)		mm	Ø20	Ø20	Ø20
Controller	Standard		Wired controller	Wired controller	Wired controller
Operation temperature		°C	16~32	16~32	16~32

Notes:

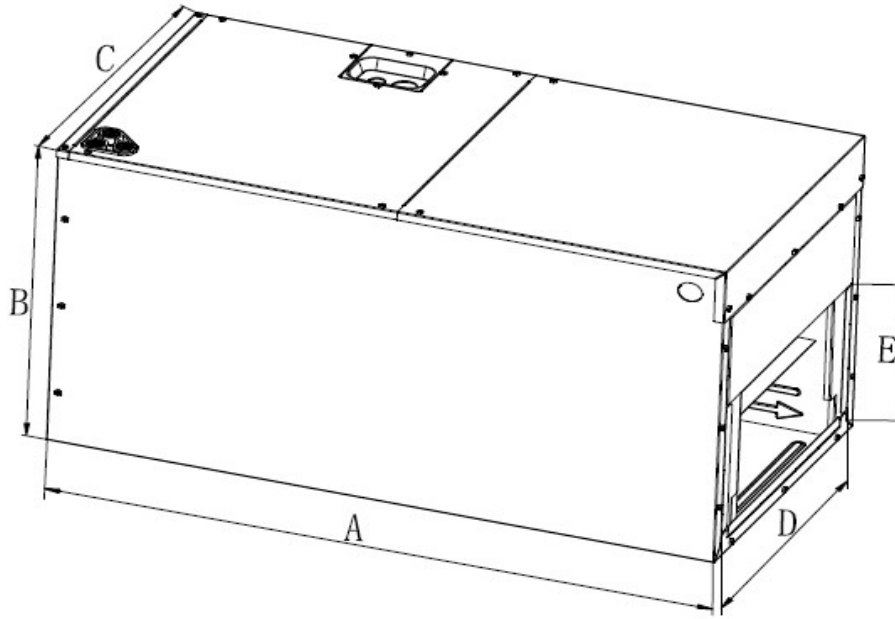
1. Nominal cooling capacities are based on the following conditions:

Indoor temp: 27°CDB, 19°CWB; Outdoor temp: 35°CDB; Equivalent ref. piping: 5m (horizontal)

1. Actual noise level may differ, depending on the room structure, etc., since these noise values are from an anechoic room.

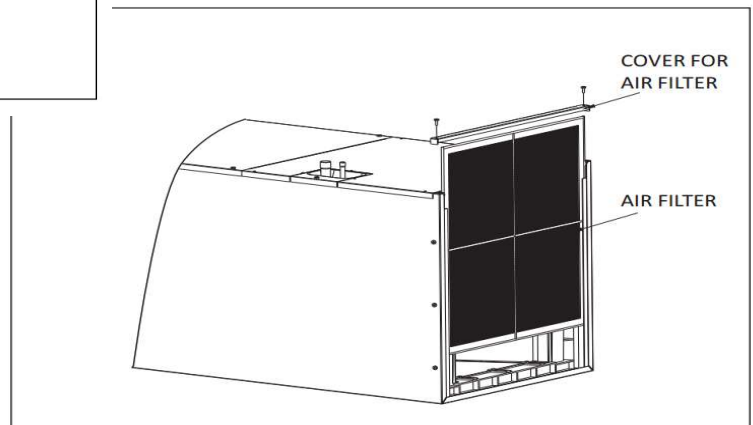
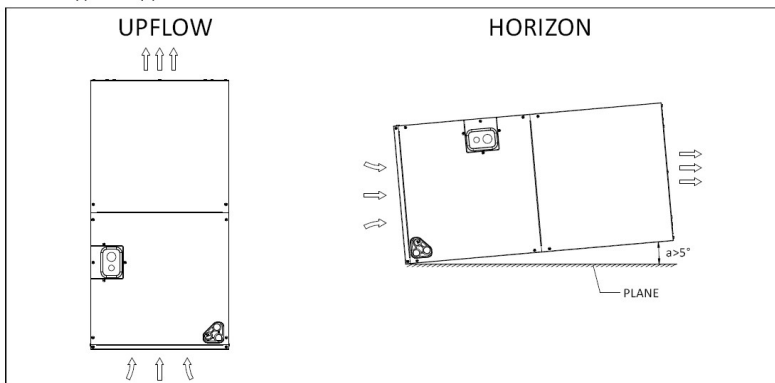
Dimensions

Indoor Unit (Models: VEUA024(36,60)Q2A)



MODEL	Dimensions(mm)				
	A(Height)	B(Depth)	C(Width)	D	E
18	774	520	460	414	245
24	774	520	460	414	245
36	774	520	460	414	245
48	970 (1160)	550	500	454	266
60	970 (1160)	550	500	454	266

Note: (1160) is custom model's height.



Electrical Characteristics

Table 2-6.1: Indoor unit electrical characteristics

Model	Power Supply ¹				IFM
	Capacity	Hz	Volts	Min. volts	Max. volts
VEUA024Q2A	50/60	208~230	187	253	5
VEUA036Q2A	50/60	208~230	187	253	5
VEUA060Q2A	50/60	208~230	187	253	10

Abbreviations:

FLA: Full Load Amps

Notes:

1. Units are suitable for use on electrical systems where voltage supplied to unit terminals is not below or above listed range limits. Maximum allowable voltage variation between phases is 2%.
2. FLA: Full Load Amps