

OMEGA ROOFTOP PACKAGE UNIT

SUBMITTAL DATA

208~230V/3/60Hz

Job: _____
Location: _____
Schedule No.: _____
System Designation: _____

Engineer: _____
Architect: _____
Date: _____
For: Reference Approval Review Construction

FEATURES

- Compact Design.
- Adjustable Pulley.
- Self Diagnostic Function
- Durable Construction.
- Danfoss Scroll Compressor.
- Automatic Fault Detection



1. Specifications

APRH Series

Nominal ton		(Ton)	25	
Model		APRH300C4A-DD2870		
Power supply		\	208~230V, 3Ph, 60Hz	
Cooling 1	Cooling capacity	Btu/h	300,000	
		kW	87.0	
	Power input	kW	28.0	
Cooling 2	Cooling capacity	Btu/h	251,700	
		kW	73.8	
	Power input	kW	32.0	
Max. input consumption		kW	27.8	
Max. current		A	200	
Performance	Indoor air flow	CFM	11,000	
	ESP	Pa	Default: 110; 0~350	
	EER 1	Btu/h.W	10.7	
	EER 2	Btu/h.W	7.9	
Indoor coil	Number of rows	\	4	
	Fin spacing	mm	1.6	
	Fin type	\	Hydrophilic aluminum fin	
	Tube diameter	mm	Φ8	
	Tube type	\	Inner grooved copper pipe	
Indoor fan	Type / Quantity	\	Centrifugal / 2	
	Drive type	\	Belt	
	Motor quantity	\	1	
	Motor model	\	YKSJ-7500-4-14	
	Motor capacitor	\	\	
	Motor input	W	\	
	Motor speed	RPM	1,440	
Compressor	Type / Quantity	\	Scroll / 2	
	Model	\	SH161A4ALC	SH161A4ALC
	Brand	\	Danfoss	Danfoss
	Capacity	W	38,800	38,800
	Input	W	12,400	12,400
	RLA	A	23.6	23.6
	LRA	A	158	158
	Refrigerant oil	ml	3,300	3,300
Outdoor coil	Number of rows	\	3+2+3+2	
	Fin spacing	mm	1.5+1.5+1.5+1.5	
	Fin type	\	Hydrophilic aluminum fin	
	Tube diameter	mm	Φ7+Φ7+Φ7+Φ7	
	Tube type	\	Inner grooved copper pipe	

1. Specifications

APRH Series

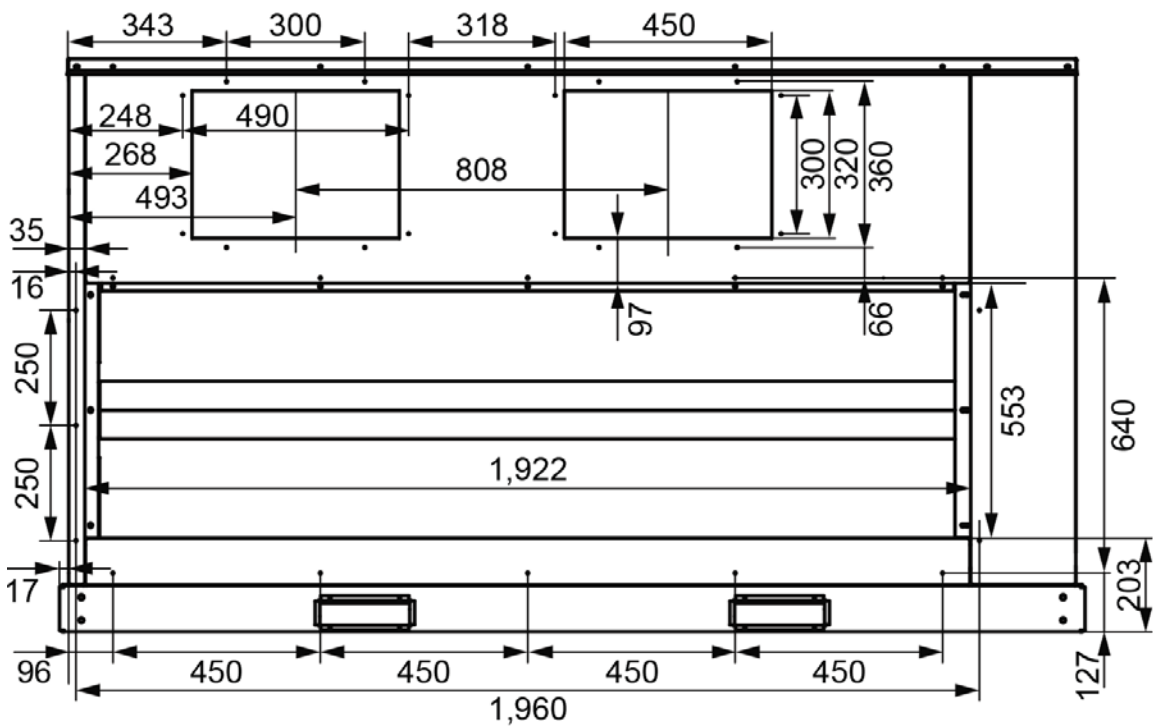
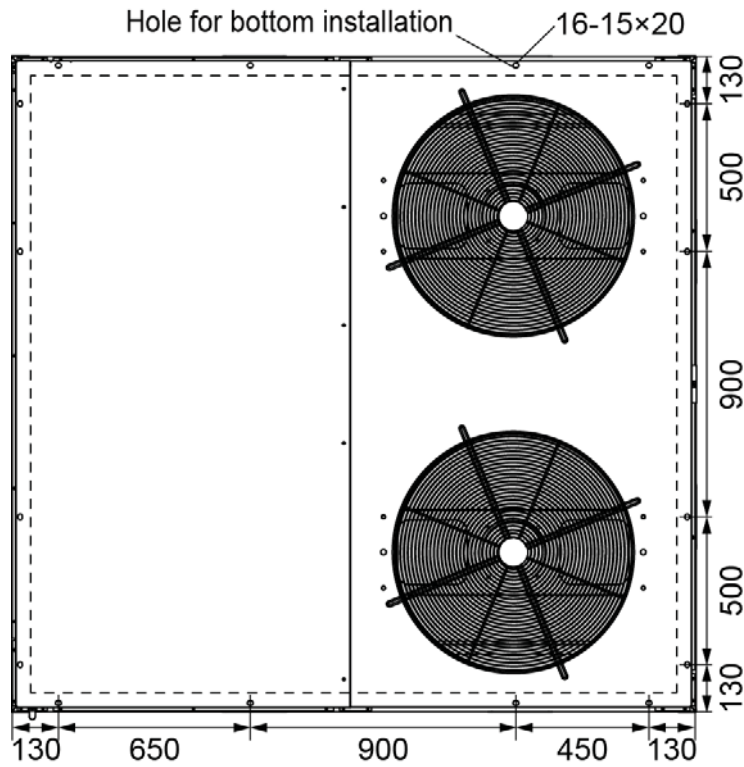
Continued:

Nominal ton		(Ton)	25
Model		APRH300C4A-DD2870	
Outdoor fan	Type	\	Axial
	Quantity	\	2
	Drive type	\	Direct
	Motor quantity	\	2
	Motor model	\	YKSJ-1500-6-7
	Motor capacitor	\	\
	Motor input	W	\
	Fan speed	RPM	910
Refrigerant	Type	\	R410A
	Volume	kg	6+6
	Control	\	Capillary
Sound pressure level		dB(A)	76.8
Wired controller		\	VAECR-D001
Centralized controller (Optional)		\	Yes
Ambient temperature (Cooling)		°C	10~52
System stage		\	2
Dimensions	Net (W×H×D)	mm	2,320×1,245×2,220
	Packing (W×H×D)	mm	2,330×1,275×2,230
Weight	Net	kg	895
	Gross	kg	925

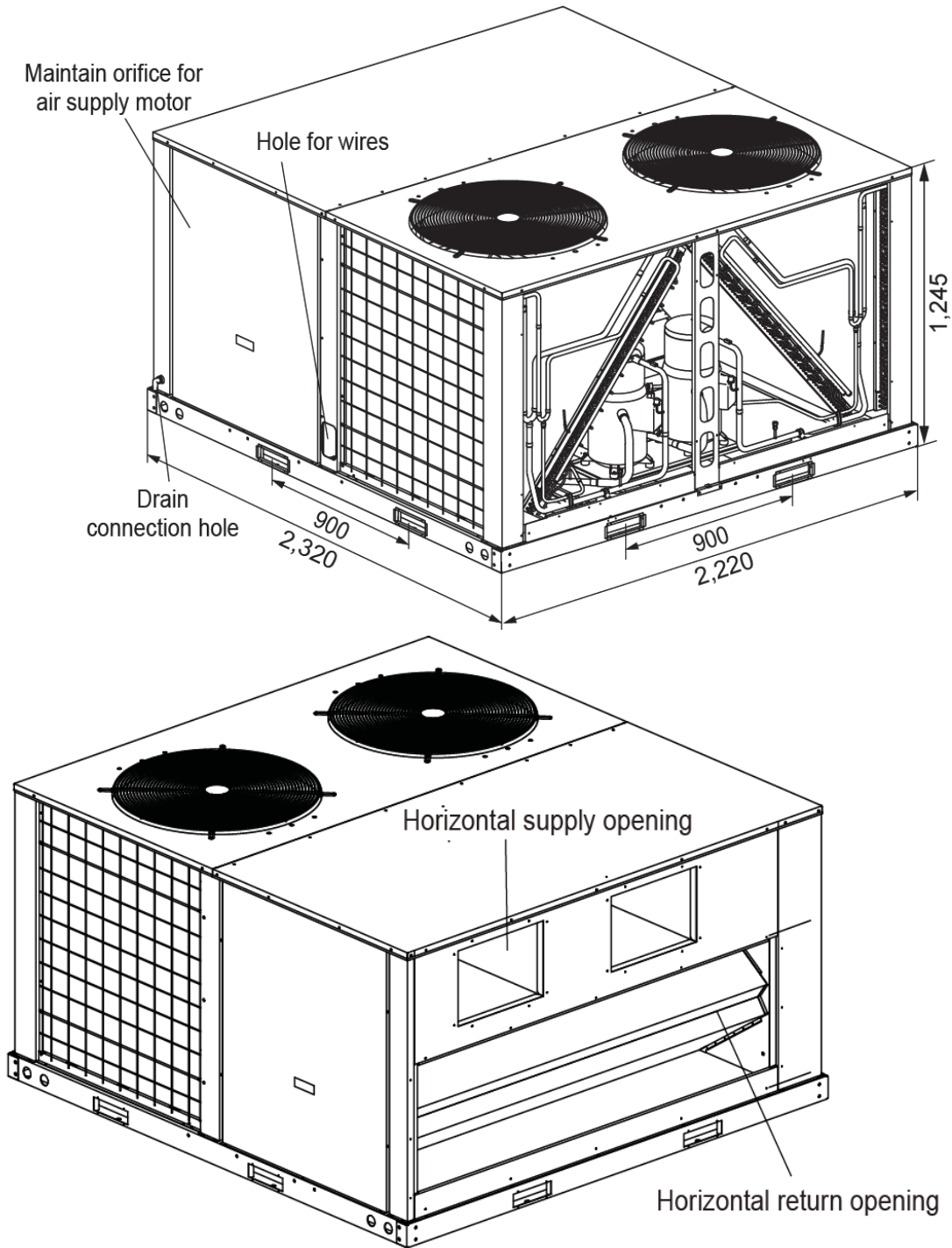
Notes:

- Nominal ton only for reference. Cooling capacity as per specifications;
- Cooling capacity test condition: (1)
Outdoor ambient temperature: 35°C, indoor temperature: 26.7°CDB, 19.4°CWB;
Cooling capacity test condition: (2)
Outdoor ambient temperature: 46.1°C, indoor temperature: 26.7°CDB, 19.4°CWB;
- Units are suitable for operation to $\pm 20\%$ of nominal indoor air flow.
- ESP: external static pressure;
- Specifications are subject to change without prior notice for product improvement.

APRH Series



APRH Series



OMEGA
ENVIRONMENTAL
TECHNOLOGIES LLC.

17702 Mitchell North, #101
Irvine, CA. 92614 .USA
Tel: 714 795 2830
Fax: 714 966 1646
info@omegavrf.com
www.omegavrf.com

OTEC
AIR CONDITIONING

Showroom & Technology Center
11380 Interchange Circle North
Miramar, FL 33025 .USA
Tel: 305 901 1270
Fax: 954 212 8280
info@otecvrf.com
wwwotecvrf.com