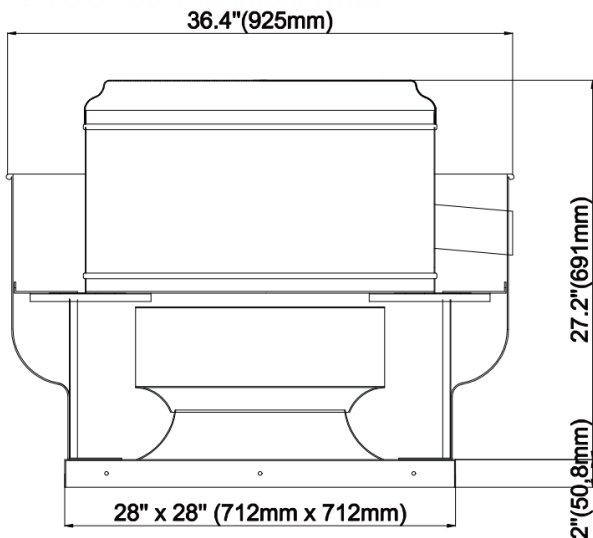


## Roof Exhaust Fan

### Description and Applications

For general clean air applications, restaurant grease, cooking, and smoke control. These systems are specifically designed to discharge air directly outside the equipment mounting surface. The equipment cover can be manually opened for regular maintenance. Air is discharged directly upwards away from the roof surface in rooftop models, or outward in wall models..

### Specifications



Model	Power	AC Motor 1Ø	AC Motor 1Ø	Fan Speed	Impeller Dia
Up Blast 16	1.5HP	220V/60Hz	220V/60Hz	1300RPM (Belt Drive)	18inch
	1.5HP		380V/60Hz		
	2.0HP	220V/60Hz	220V/60Hz	1720RPM (Direct Drive)	
	2.0HP		380V/60Hz		

